



# HYUNDAI Genuine Accessories

Vehicle Model	SANTA FE, Panoramic Roof	Accessory	Crossbars
Model Year	2013~	Difficulty	( A )
Part No.	4Z021 ADU50		

- Accessory Installation

Note: Difficulty stated above reflects the minimum level of expertise required to install the accessory.

( A ) Customer ( B ) Dealer Technician ( C ) Master Technician

## Instructional Symbols / Definitions

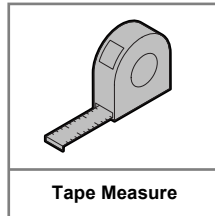
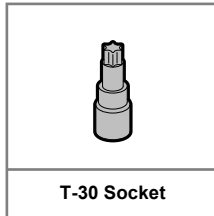
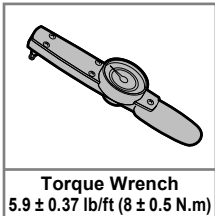
	Denotes warnings that may lead to serious physical injury or vehicle damage.		Denotes quality processes to be checked prior to moving to the next step.	Denotes safety equipment required to be used such as a mask, safety glasses, gloves, and hearing protection.	
	Denotes cautions to be taken to avoid physical injury or electronic component damage.		Denotes specific tools that are necessary to complete the step.		
	Denotes cautions to be taken to avoid vehicle and component damage.		Denotes instructional steps necessary to complete the process.		

## Basic Required Hand Tools



<p><b>FMVSS110 Compliance Information</b></p> <p>Part Number: 4Z021 ADU50</p> <p>6.5 lbs (2.95 kg) (Gross Weight)</p>	<p>All dealers must determine if the weight they have added in the form of all options or accessories, when added to the weight of all Port Installed options or accessories, exceeds the lesser of 1.5% of GVWR or 100 lbs. If the additional weight does exceed the lesser of the indicated thresholds, a "Load Carrying Capacity Reduced" label must be installed. A black, fine-point, indelible marker must be used to write by hand onto the label, the reduced carrying capacity in kilograms or pounds, which is the total weight of all added options and accessories.</p> <p>Load Label Part Number: NP070-09003</p>
---	--

## Specialty Required Tools



## Notes to the Installer:

- 1) Read the entire installation instructions prior to beginning the installation of this accessory.
- 2) Make sure the vehicle is completely clean before the accessory is installed.
- 3) Ensure the vehicle is properly protected in the area(s) that the accessory is to be installed.
- 4) To prevent vehicle damage, never place tools on top of painted surfaces, seats, dash pad, console or floor carpet/mats.
- 5) Always wear appropriate safety gear to include gloves and eye protection when required.
- 6) Replace M6-T30 screws with Service Part Number 4Z021 ADUS0 (Vibratite M6-T30 screws) after loosening the screws 5 times.

# HYUNDAI Genuine Accessories

## Kit Overview

No.	Qty.	Description
1	1	Front Crossbar (Longer)
2	1	Rear Crossbar (Shorter)
3	1	Hardware Bag

**WARNING! Do not exceed manufacturer's roof load limits of 220 lbs / 100 kg (evenly distributed). See owners manual.**

## Hardware Overview

- A 

1 "Special" Tool
- B 

1 Quick Reference Guide
- C 

1 Installation Instructions
- D 

1 Warning Card
- E 

1 Hardware Bag

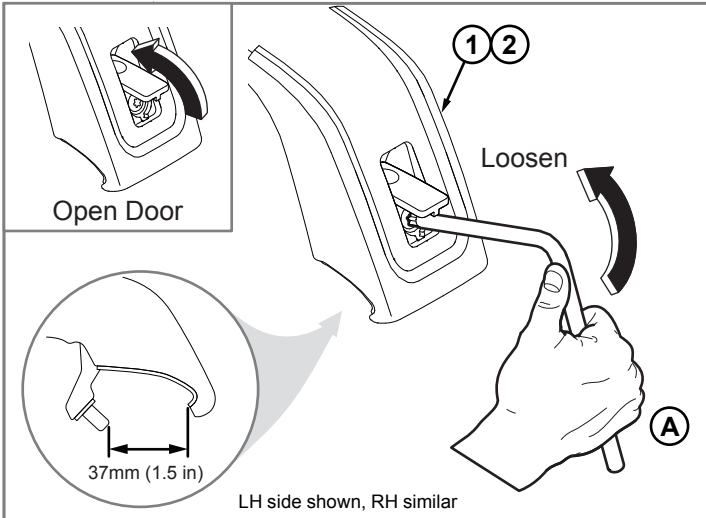
**WARNING**

**PRECAUTIONS MUST BE TAKEN WHEN SECURING ITEMS TO THE ROOF RACK. AVOID CONTACT OF ANY OBJECTS WITH THE PANORAMIC GLASS SUNROOF. DAMAGE TO THE PANORAMIC SUNROOF MAY OCCUR.**

\* Extra components intentionally placed in kits as spares.  
Please follow directions for proper placement of each component.

<b>Hardware Kit Total</b>
<b>5</b>

# HYUNDAI Genuine Accessories

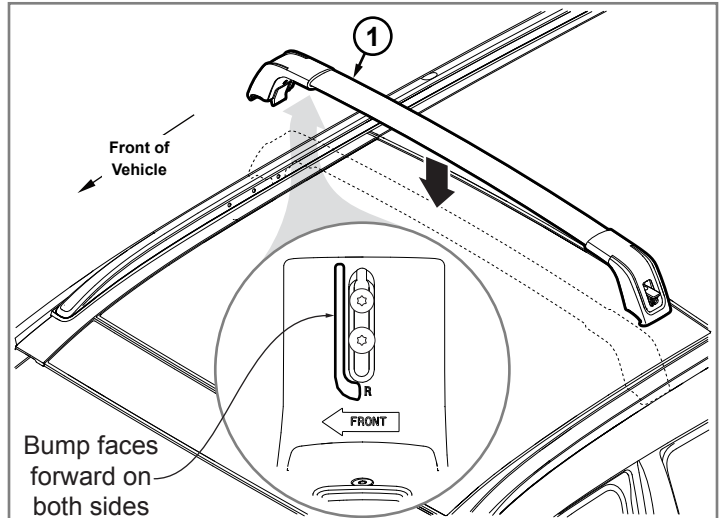


Measuring Tape & T-30 Tool 1

**NOTE** **PREPARE CROSSBARS FOR INSTALLATION**

- 1. OPEN DOOR:** Press firmly on door indentation to flip open door.
- 2. LOOSEN LOWER CLAMPS:** Using T-30 Tool, loosen lower clamps to allow 37mm (1.5 in) clearance for rail (do not remove clamp). Repeat for both sides, front and rear crossbars.

**CAUTION:** Do not loosen the bolts on the underside of the crossbar; they are pre-torqued at the factory and require no adjustment.

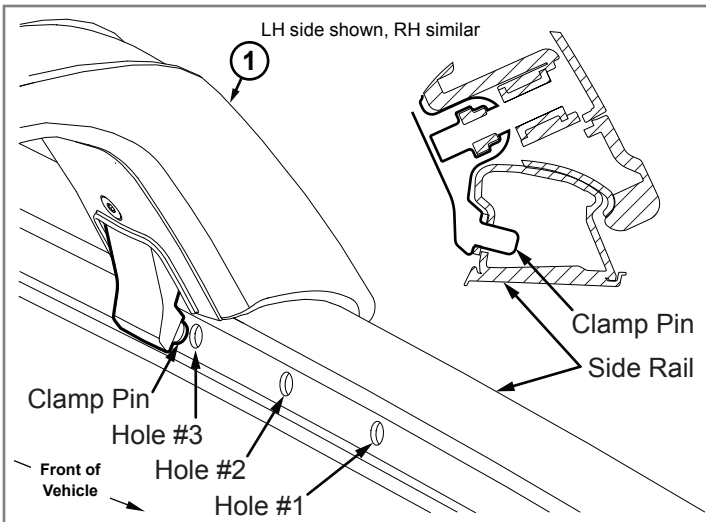


Vehicle Protection Cloth and Stool/Step Ladder 2

**NOTE** **POSITION FRONT CROSSBAR**

1. Identify front crossbar (longer).
2. Orient on vehicle using markings located underneath which indicate FRONT and RH/LH side of vehicle.

**CAUTION:** Use vehicle protection cloth to cover (protect) vehicle and component surfaces from installer tools and contact. Use a stool/step ladder to get above the vehicle if necessary.

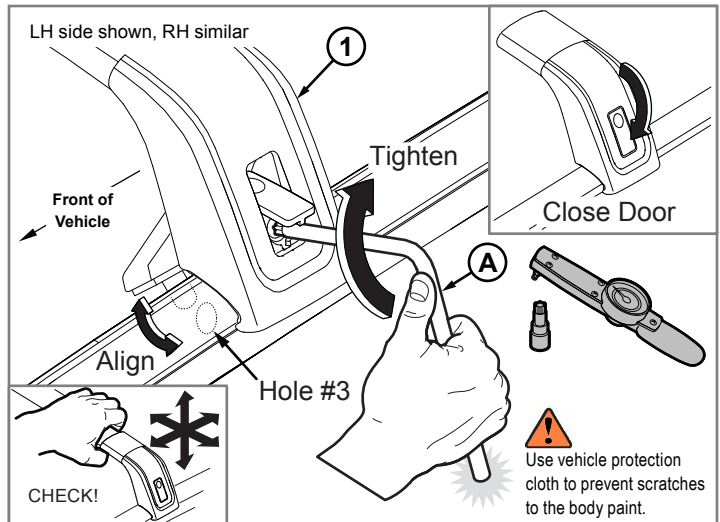


Vehicle Protection Cloth and Stool/Step Ladder 3

**NOTE** **ALIGN CLAMP PINS**

1. Ensure that the sunroof is fully closed before proceeding with the installation procedures.
2. Carefully position crossbar to align clamp pin with the #3 hole position on both side rails of the vehicle.

**CAUTION:** Use vehicle protection cloth to cover (protect) vehicle and component surfaces from installer tools and contact. Use a stool/step ladder to get above the vehicle if necessary.



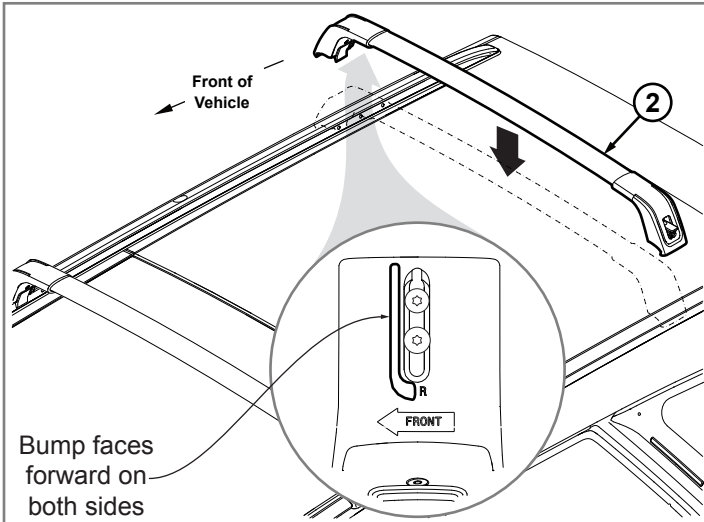
Vehicle Protection Cloth, Stool/Step Ladder, T-30 tool, Torque Wrench & T-30 Socket 4

**NOTE** **TIGHTEN CLAMPS**

1. With front crossbar clamp pin in #3 hole position, use T-30 tool to tighten clamps on both side rails of the vehicle. Do not force if pin is not seated into the hole.
2. Using Torque Wrench and T-30 Socket, verify  $8 \pm 0.5 \text{ N.m}$  ( $5.9 \pm 0.37 \text{ lb/ft}$ ) torque.
3. Press firmly on door bottom until an audible "Click" is heard to close door completely.

**VERIFY THE CLAMP PIN IS FULLY SEATED INTO THE SIDE RAIL HOLE #3. ROCK THE CROSSBAR TO ENSURE TIGHTNESS.**

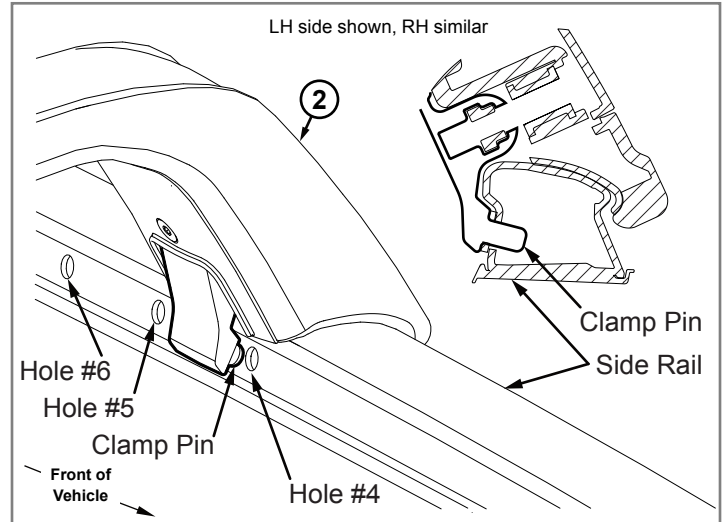
# HYUNDAI Genuine Accessories



Vehicle Protection Cloth and Stool/Step Ladder **5**

**NOTE**  
**POSITION REAR CROSSBAR**  
 1. Identify rear crossbar (shorter).  
 2. Orient on vehicle using markings located underneath which indicate FRONT and RH/LH side of vehicle.

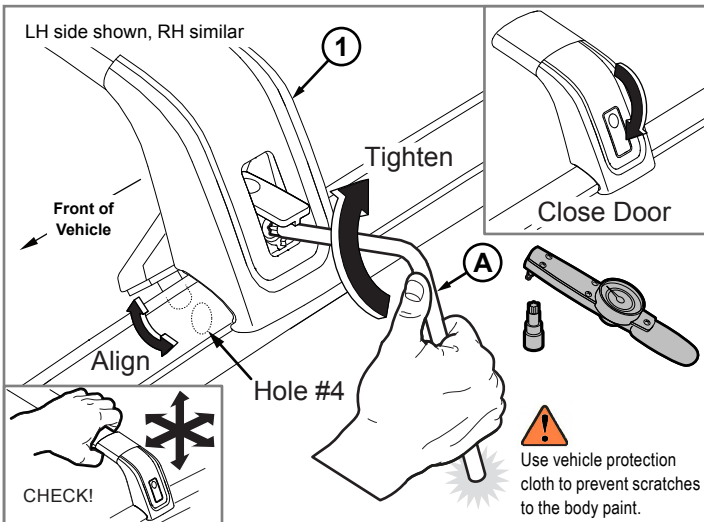
**CAUTION:** Use vehicle protection cloth to cover (protect) vehicle and component surfaces from installer tools and contact. Use a stool/step ladder to get above the vehicle if necessary.



Vehicle Protection Cloth and Stool/Step Ladder **6**

**NOTE**  
**ALIGN CLAMP PINS**  
 1. Carefully position crossbar to align clamp pin with the #4 hole position on both side rails of the vehicle.

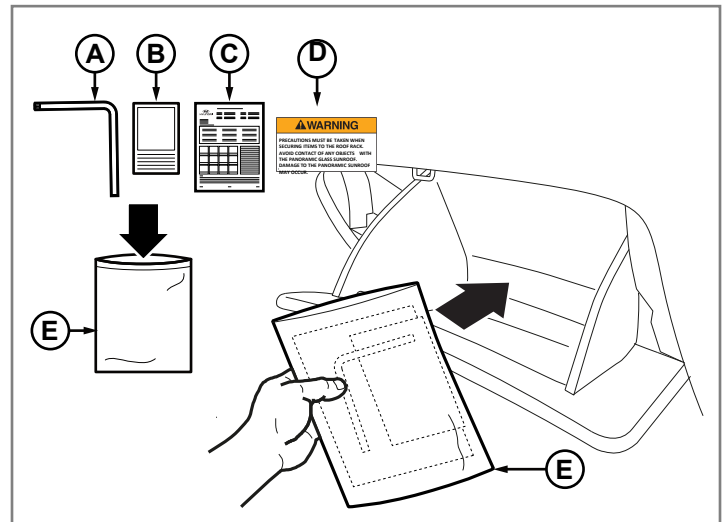
**CAUTION:** Use vehicle protection cloth to cover (protect) vehicle and component surfaces from installer tools and contact. Use a stool/step ladder to get above the vehicle if necessary.



Vehicle Protection Cloth, Stool/Step Ladder, T-30 tool, Torque Wrench & T-30 Socket **7**

**NOTE**  
**TIGHTEN CLAMPS**  
 1. With front crossbar clamp pin in #4 hole position, use T-30 tool to tighten clamps on both side rails of the vehicle. Do not force if pin is not seated into the hole.  
 2. Using Torque Wrench and T-30 Socket, verify  $8 \pm 0.5 \text{ N.m}$  ( $5.9 \pm 0.37 \text{ lb/ft}$ ) torque.  
 3. Press firmly on door bottom until an audible "Click" is heard to close door completely.




**VERIFY THE CLAMP PIN IS FULLY SEATED INTO THE SIDE RAIL HOLE #4. ROCK THE CROSSBAR TO ENSURE TIGHTNESS.**





**8**

**NOTE**  
**T-30 TOOL, QUICK REFERENCE GUIDE, INSTRUCTIONS, & WARNING CARD**  
 1. Place the T-30 tool, quick reference guide (QRG), instructions, and warning card into the hardware bag and place into the glove compartment.

## HYUNDAI Genuine Accessories Function Check

	Items To Be Checked	Results of the Check
	Verify the lower clamp pin is fully seated into side rails.	Clamp should rest firmly on rail with clamp pin fully inserted into proper side rail hole location.
	Ensure clamp pins are fully engaged in sides rails. Firmly grab crossbar and wiggle in forward/rearward and upward/downward motions. No movement should occur.	Crossbars are secure and clamps fully tightened.
	Ensure crossbar clamp screw access doors are fully seated in closed position.	Crossbar clamp screw access doors should be flush, stay in place, and not be loose.

## Visual Check

	Items To Be Checked	Results of the Check
	Verify front crossbar is in the #3 hole position and the rear crossbar is in the #4 hole position.	Crossbars are in correct position.
	Verify bag containing T-30 tool, quick reference guide (QRG), warning card and installation instructions are in glove compartment.	Bag is placed in glove compartment.

