

# Genuine Accessories



Vehicle Model: **Santa Fe**

Model Year 2019-  
 Part No. S2F17 AU000 (DIO)  
S2F17 AU600 (PIO)  
 Language English  
 Rev. Date 4/20/2018

Accessory: **Cargo Net**

Difficulty: ( A )

**Note:** Difficulty stated above reflects the minimum level of expertise required to install the accessory:  
 (A) Customer  
 (B) Dealer Technician  
 (C) Master Technician or Specialist

### Instructional Symbols / Definitions

|  |  |                            |  |   |                    |
|--|--|----------------------------|--|---|--------------------|
|  | Denotes warnings that may lead to serious physical injury or vehicle damage          |                            | Denotes quality processes to be checked prior to moving to the next step | Denotes personal protective equipment (PPEs) that may be required for a step. Examples of safety equipment icons noted below: |                    |
|  | Denotes cautions to be taken to avoid physical injury or electronic component damage |                            | Denotes specific tools that are necessary to complete a step             |   |                    |
|  | Denotes cautions to be taken to avoid vehicle and component damage                   | <b>N<br/>O<br/>T<br/>E</b> | Denotes important information to be reviewed during the step             |   |                    |
|  |  |                            |  | Glasses   | Gloves             |
|  |  |                            |  | Mask  | Hearing Protection |

### Basic Required Tools

|      |
|------|
|      |
| None |

### Part Weight (Gross)

|             |     |
|-------------|-----|
| <b>1.04</b> | lbs |
| <b>0.47</b> | kg  |

### FMVSS 110 Compliance Information

All dealers must determine if the weight they have added in the form of all options or accessories, when added to the weight of all Port/Dealer Installed options or accessories, exceeds the lesser of 1.5% of GVWR or 100 lbs. If the additional weight does exceed the lesser of the indicated thresholds, a "Load Carrying Capacity Reduced" label must be installed. A black, fine-point, indelible marker must be used to write by hand onto the label, the reduced carrying capacity in kilograms or pounds, which is the total weight of all added options and accessories.  
**Load Label Part Number: NP070 - 09003**

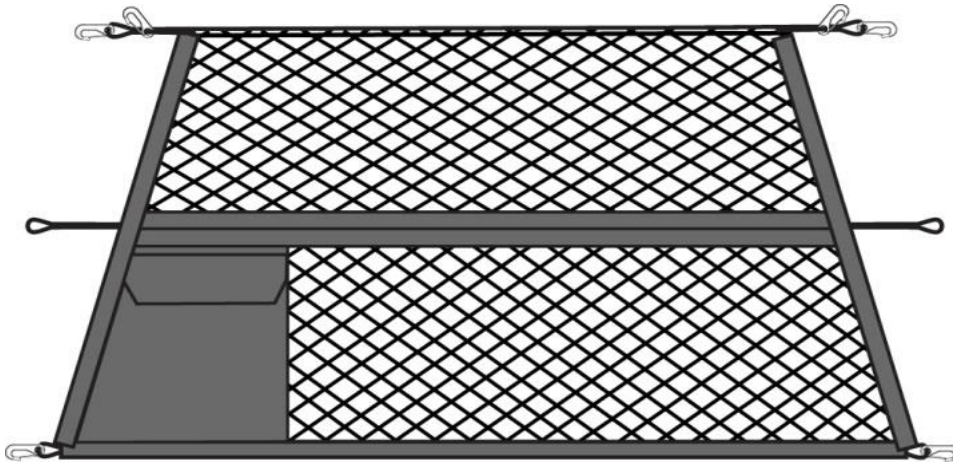
### Notes to the installer:

- 1) Read the entire Installation Instructions prior to beginning the installation of the part.
- 2) Make sure the vehicle is completely clean and dry in the area(s) the part is to be installed.
- 3) Ensure the vehicle is properly protected in the area(s) that the accessory is to be installed.
- 4) NEVER place tools on painted surfaces, seating surfaces, dash pad, console or floor carpet/mats.
- 5) Always wear appropriate personal protective equipment, including gloves, safety glasses, etc., when required.

# Genuine Accessories


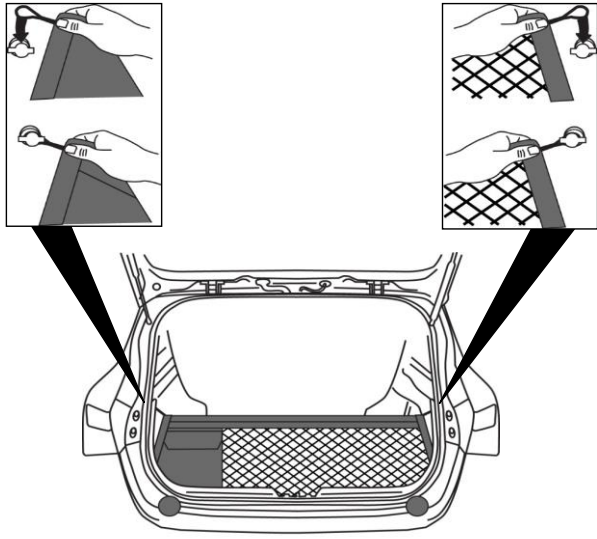

Kit Overview


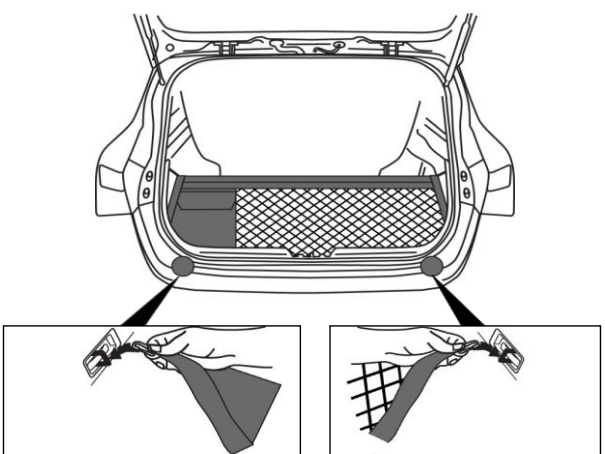

1


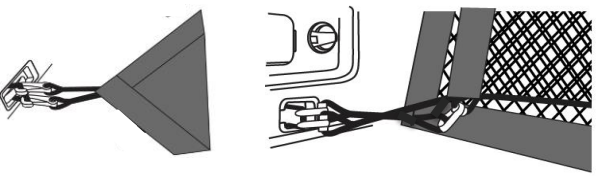
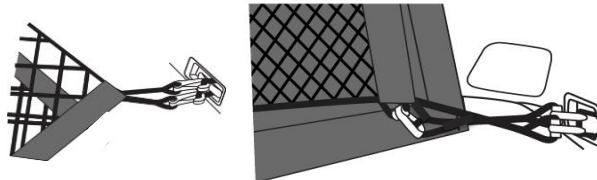




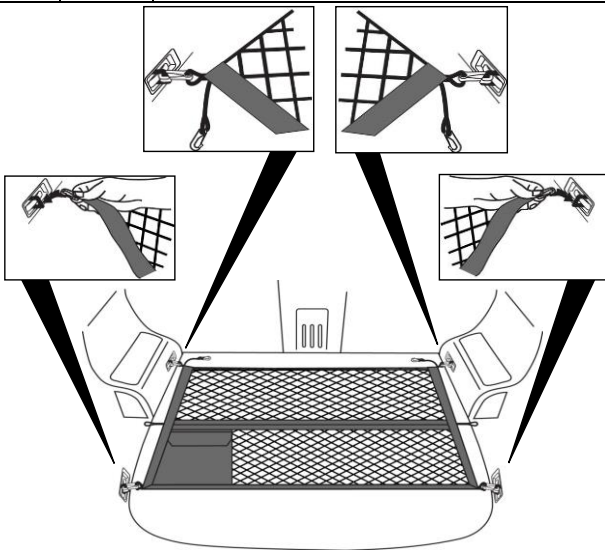

| No. | Qty | Description |
|-----|-----|-------------|
| 1   | 1   | Cargo Net   |

# Genuine Accessories

|   |   |
|---|---|
| 1   |    |
|  |   |
| NOTE  | <p>A. For upper vertical installation, open the rear cargo hatch and identify the T-Anchor upper attachment points.</p> <p>B. Orient the Cargo Net with the pouch facing the rear of the vehicle, and attach the upper loops of the Cargo Net to the T-Anchor as shown.</p> |
|  | Ensure upper loops are secure to T-Anchors.   |




|  |  |
|--|--|
| 2  |             |
|  |  |
| NOTE   | <p>A. For lower vertical installation, attach the two (2) Hooks to the D-Rings as shown.</p> |
|   | Ensure lower hooks are secure to D-Rings.  |

|  |   |
|--|---|
| 3  |    |
| <p style="text-align: center;"><u>Driver Side</u></p>  <p style="text-align: center;"><u>Passenger Side</u></p>  |   |
| NOTE   | <p>A. To secure the rear panel of the net, attach the two (2) long hooks to the D-Rings as shown.</p> <p>B. Attach the two (2) short hooks to the sewn loops at the bottom of the front panel as shown.</p> |
|   | Ensure lower short hooks are secure to sewn loop.   |

|  |   |
|--|---|
| 4  |    |
|  |   |
| NOTE   | <p>A. For horizontal installation, locate the four (4) D-Ring attachment points.</p> <p>B. Attach the two (2) hooks to the rear D-Rings as shown.</p> <p>C. Attach the two (2) short hooks to the front D-Rings as shown.</p> |
|   | Ensure hooks are secure to D-Rings.   |

## Genuine Accessories

### Visual Check

| Item to be Checked  |  | Result  |
|---|--|---|
|  | Ensure upper loops are secure to T-Anchors (Verticle Position).  | Upper loops are secure to T-Anchors (Verticle Position).  |
|  | Ensure hooks are secure to D-Rings.                              | Hooks are secure to D-Rings.                              |
|  | Ensure short hooks are secure to sewn loops (Verticle Position). | Short hooks are secure to sewn loops (Verticle Position). |