

# Genuine Accessories



Vehicle Model: **Sonata**

Model Year 2018-  
 Part No. C2F12 AU100 (DIO)  
C2F12 AU700 (PIO)  
 Language English  
 Rev. Date 4/9/2018

Accessory: **Cargo Side Bins**

Difficulty: ( A )

**Note:** Difficulty stated above reflects the minimum level of expertise required to install the accessory:  
 (A) Customer  
 (B) Dealer Technician  
 (C) Master Technician or Specialist

## Instructional Symbols / Definitions

	Denotes warnings that may lead to serious physical injury or vehicle damage		Denotes quality processes to be checked prior to moving to the next step	Denotes personal protective equipment (PPEs) that may be required for a step. Examples of safety equipment icons noted below:	
	Denotes cautions to be taken to avoid physical injury or electronic component damage		Denotes specific tools that are necessary to complete a step		
	Denotes cautions to be taken to avoid vehicle and component damage	<b>N O T E</b>	Denotes important information to be reviewed during the step		
				Glasses	Gloves
				Mask	Hearing Protection

## Basic Required Tools

NONE

## Part Weight (Gross)

<b>2.20</b>	lbs
<b>1.00</b>	kg

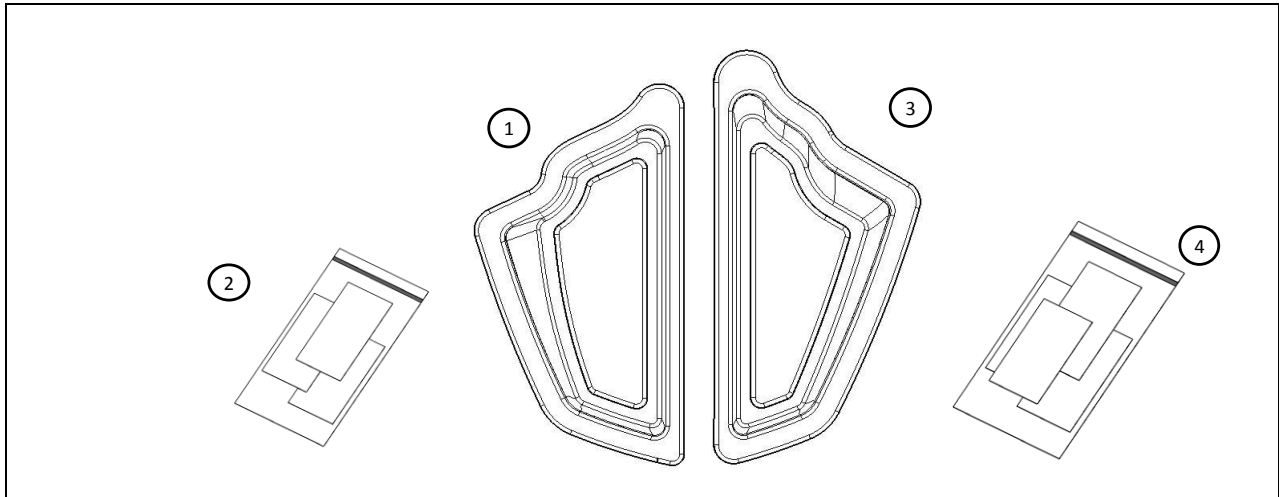
## FMVSS 110 Compliance Information

All dealers must determine if the weight they have added in the form of all options or accessories, when added to the weight of all Port/Dealer Installed options or accessories, exceeds the lesser of 1.5% of GVWR or 100 lbs. If the additional weight does exceed the lesser of the indicated thresholds, a "Load Carrying Capacity Reduced" label must be installed. A black, fine-point, indelible marker must be used to write by hand onto the label, the reduced carrying capacity in kilograms or pounds, which is the total weight of all added options and accessories.  
**Load Label Part Number: NP070 - 09003**

## Notes to the Installer:


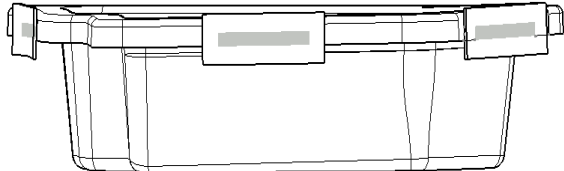
- 1 Read the entire Installation Instructions prior to beginning the installation of the part.
- 2 Make sure the vehicle is completely clean and dry in the area(s) the part is to be installed.
- 3 Ensure the vehicle is properly protected in the area(s) that the accessory is to be installed.
- 4 NEVER place tools on painted surfaces, seating surfaces, dash pad, console or floor carpet/mats.
- 5 Always wear appropriate personal protective equipment, including gloves, safety glasses, etc, when required.


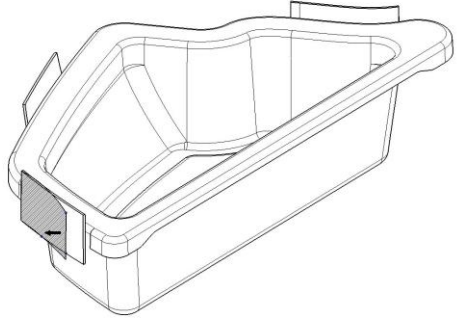
## Kit Overview


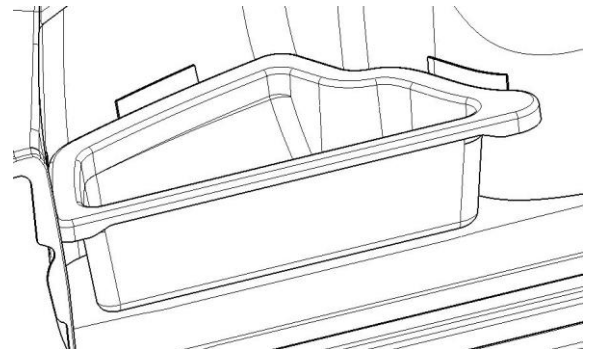




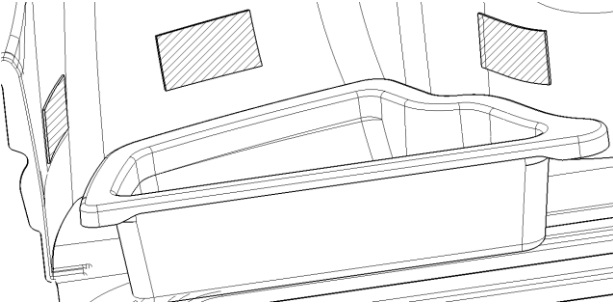

No.	Qty	Description
1	1	Driver Side Bin
2	3	Driver Side Adapter Pads
3	1	Passenger Side Bin
4	4	Passenger Side Adapter Pads

## Genuine Accessories

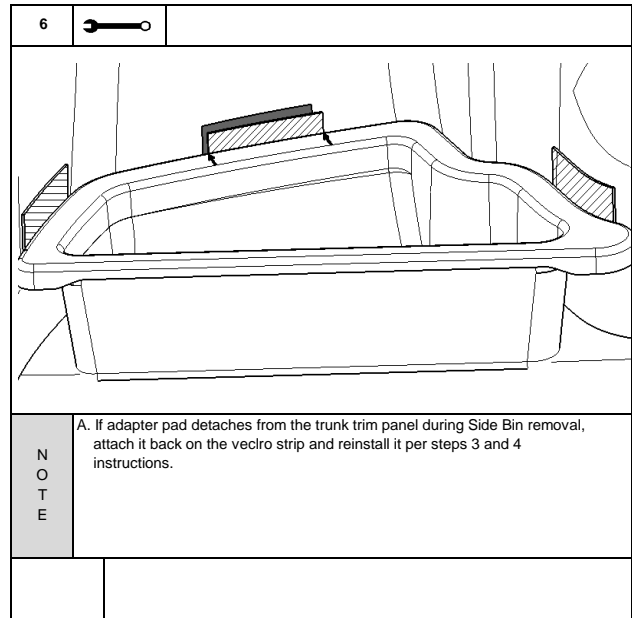
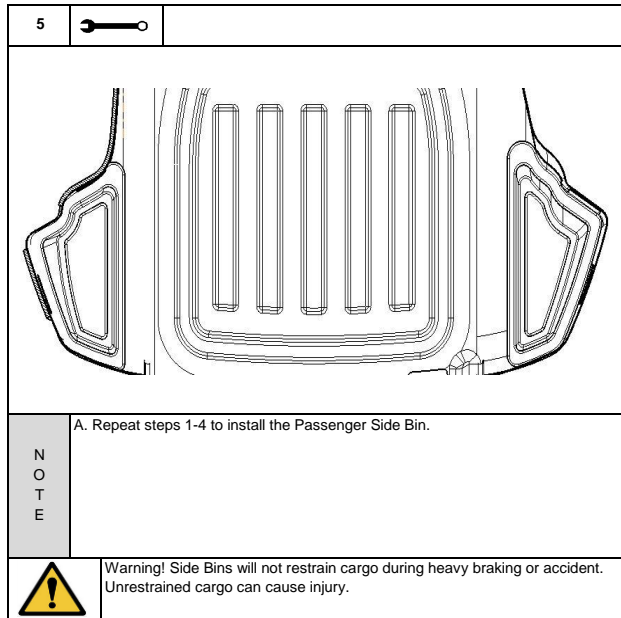
1		
		
NOTE	<p>A. Open Driver Side Bin Adapter Pads bag and attach adapter pads on each Velcro strip.</p> <p>B. Ensure the Velcro strip(s) are at the center position of the adapter pad(s) as shown.</p>	

2		
		
NOTE	<p>A. Remove all protectors from adapter pads. Clean the vehicle trunk panel carpet to ensure proper adhesion.</p>	

3		
		
NOTE	<p>A. Install the Driver Side Bin by sliding against the driver side trunk panel.</p> <p>B. Massage top section of the adapter pads against the trunk panel to ensure adapter pads engage with the trunk panel carpet.</p>	
	<p>Ensure the Side Bin(s) are properly positioned against the trunk side panel.</p>	

4		
		
NOTE	<p>A. Remove the bin from adapter pads and massage entire adapter pad to the trunk panel carpet to ensure it is securely fastened.</p> <p>B. Reattach the bin to the adapter pads and press contact area for maximum adhesion.</p>	
	<p>Warning! Incorrect installation of the bin can lead to part damage.</p>	

## Genuine Accessories



### Care & Cleaning

Cleaning Instructions for:

Sonata

Cargo Side Bins

The bins can be wiped, swept, lightly vacuumed, cleaned with water, or soap and water. Do not use petroleum-based solvents for cleaning.