

Genuine Accessories



Vehicle Model Accent

Model Year 2018-
 Part No. J0F46 AK000
 Language English
 Rev. Date 5/11/2017

Accessory: Front Mudguard Kit

Difficulty: B

Note: Difficulty stated above reflects the minimum level of expertise required to install the accessory:
 (A) Customer
 (B) Dealer Technician
 (C) Master Technician or Specialist

Instructional Symbols / Definitions

	Denotes warnings that may lead to serious physical injury or vehicle damage		Denotes quality processes to be checked prior to moving to the next step	Denotes personal protective equipment (PPEs) that may be required for a step. Examples of safety equipment icons noted below:	
	Denotes cautions to be taken to avoid physical injury or electronic component damage		Denotes specific tools that are necessary to complete a step		
	Denotes cautions to be taken to avoid vehicle and component damage	N O T E	Denotes important information to be reviewed during the step		

Basic Required Tools

Right Angle #2 Phillips Screwdriver	Clip Removal Tool

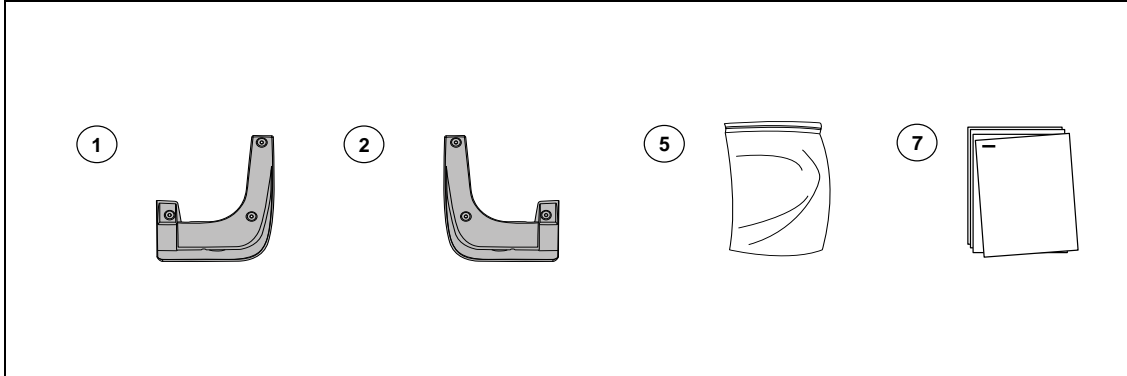
All dealers must determine if the weight they have added in the form of all options or accessories, when added to the weight of all Port/Dealer Installed options or accessories, exceeds the lesser of 1.5% of GVWR or 100 lbs. If the additional weight does exceed the lesser of the indicated thresholds, a "Load Carrying Capacity Reduced" label must be installed. A black, fine-point, indelible marker must be used to write by hand onto the label, the reduced carrying capacity in kilograms or pounds, which is the total weight of all added options and accessories. Load Label Part Number: NP070 - 09003

Notes to the installer:

- 1 Read the entire Installation Instructions prior to beginning the installation of the part.
- 2 Make sure the vehicle is completely clean and dry in the area(s) the part is to be installed.
- 3 Ensure the vehicle is properly protected in the area(s) that the accessory is to be installed.
- 4 NEVER place tools on painted surfaces, seating surfaces, dash pad, console or floor carpet-mats.
- 5 Always wear appropriate personal protective equipment, including gloves, safety glasses, etc., when required.

Part Weight (Gross)	
0.45	lbs
0.20	kg

Kit Overview



No.	Qty	Description
1	1	Front Mudguard (LH)
2	1	Front Mudguard (RH)
3	1	Hardware Bag
4	1	Installation Instructions

Hardware Kit Contents

A		B	
4	Self Tapping Screw	4	Plastic Retainer

Hardware Total
8

Genuine Accessories

1		Right Angle #2 Phillips Screwdriver and Clip Removal Tool
N O T E	<p>A. Turn the wheels to make more room while installing and removing the hardware.</p> <p>B. Release the center portion of two (2) plastic retainers and remove the plastic retainers from the inboard and underside holes as shown.</p> <p>C. Remove the two (2) screws from the highlighted area as shown.</p> <p>D. Discard the hardware.</p>	

2		
N O T E	<p>A. Align the mudguard as shown ensuring a proper fit.</p>	
	<p>Make sure to push the mudguard upward and in during the installation to eliminate any possible gaps.</p>	

3		
N O T E	<p>A. Insert two (2) Plastic Retainers into the inboard and underside holes as shown. Make sure to push in the center portion of each retainer to lock the retainers in place.</p>	
	<p>Make sure to push the Front Mudguard upward and in during the installation to eliminate any possible gaps.</p>	

4		Right Angle #2 Phillips Screwdriver
N O T E	<p>A. While pushing the mudguard upward and in as shown in the drawing, insert and fasten one (1) screw into the upper hole as shown.</p> <p>B. Insert and fasten one (1) screw into the lower hole as shown.</p> <p>C. Repeat steps 1-4 for opposite side.</p> <p>D. Installation is complete.</p>	
	<p>After the installation, check for any visible gaps. If any gap exceeds 0.5mm, loosen the mounting screws and refit the Front Mudguard to the body to achieve the correct specification. Be careful not to over-tighten or strip the head of the screw.</p>	

Visual Check	
	Item to be Checked
	Make sure to push the Front Mudguard upward and in during the installation to eliminate any possible gaps.
	After the installation, check for any visible gaps. If any gap exceeds 0.5mm, loosen the mounting screws and refit the mudguard to the body to achieve the correct specification. Be careful not to over-tighten or strip the head of the screw.

Result	
	Any visible gaps should not exceed 0.5mm.
	Any visible gaps should not exceed 0.5mm.