











Vehicle Model Santa Fe Sport
Model Year 2013 ~
Part No. 4Z022 ADU00

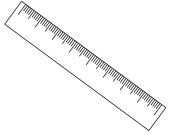


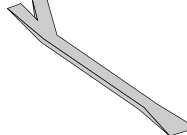
Accessory Sport Visor
Difficulty (B)

Note: Difficulty stated above reflects the minimum level of expertise required to install the accessory (A) Customer (B) Dealer Technician (C) Master Technician

Instructional Symbols / Definitions

| | | | | | |
|--|---|---|---|--|---|
|  | Denotes warnings that may lead to serious physical injury or vehicle damage. |  | Denotes quality processes to be checked prior to moving to the next step. | Denotes safety equipment required to be used such as a mask, goggles, rubber gloves, and hearing protection. | |
|  | Denotes cautions to be taken to avoid physical injury or electronic component damage. |  | Denotes specific tools that are necessary to complete the step. |  |  |
|  | Denotes cautions to be taken to avoid vehicle and component damage. |  | Denotes instructional steps necessary to complete the process. |  |  |
| | | | | Mask | Goggles |
| | | | | Rubber Gloves | Hearing Protection |

Basic Required Hand Tools

| | | | |
|---|--|--|---|
|  |  |  |  |
| Steel Ruler | Soap & Water | Lint Free Cloth | Nylon Panel Removal Tool |

| | |
|---|---|
| <p><u>FMVSS 110</u> Compliance Information</p> | <p>All dealers must determine if the weight they have added in the form of all options or accessories, when added to the weight of all Port Installations or accessories, exceeds the lesser of 1.5% of GVWR or 100 lbs. If the additional weight does exceed the lesser of the indicated thresholds, a "Load Carrying Capacity Reduced" label must be installed. A black, fine-point, indelible marker must be used to write by hand onto the label, the reduced carrying capacity in kilograms or pounds, which is the total weight of all added options and accessories.</p> <p>Load Label Part Number NP070-09003</p> |
| <p><u>Part Numbers</u> 4Z022 ADU00</p> <p>0.93kg 2.05 lbs</p> | |

Notes to the Installer :

Adhesives used in this product are sensitive to temperature during installation, only install this product to the vehicle if the temperature is between (60° - 80°F \ 15° - 27°C). Installing the parts to the vehicle outside of this temperature may lead to a reduced level of performance.

Installation of all parts should not occur in direct sunlight or if the vehicle has been parked in direct sunlight and is hot as a result. Both the parts and the vehicle should be at the same temperature (60° - 80°F \ 15° - 27°C) during the installation to ensure maximum adhesion.

Read the entire installation pamphlet prior to beginning the installation of the accessory.

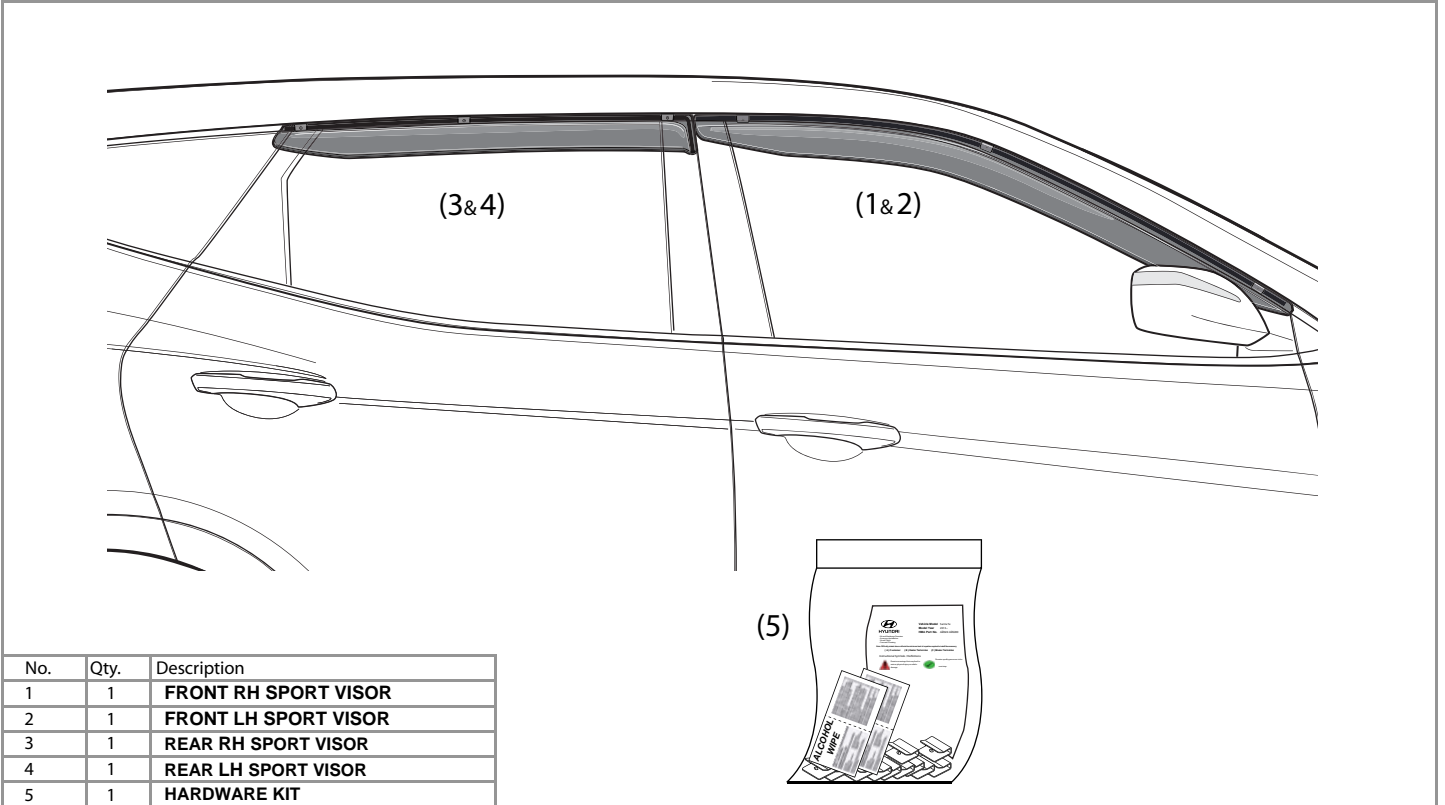
Ensure that the vehicle is properly protected in the area that the accessory is to be installed.

To prevent vehicle damage, never place tools on top of painted surfaces, seats, dash pad, console or floor carpet / mat.

Always wear appropriate safety gear to include gloves and eye protection when required.

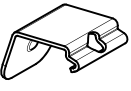
HYUNDAI Genuine Accessories


Kit Overview




| No. | Qty. | Description |
|-----|------|----------------------|
| 1 | 1 | FRONT RH SPORT VISOR |
| 2 | 1 | FRONT LH SPORT VISOR |
| 3 | 1 | REAR RH SPORT VISOR |
| 4 | 1 | REAR LH SPORT VISOR |
| 5 | 1 | HARDWARE KIT |

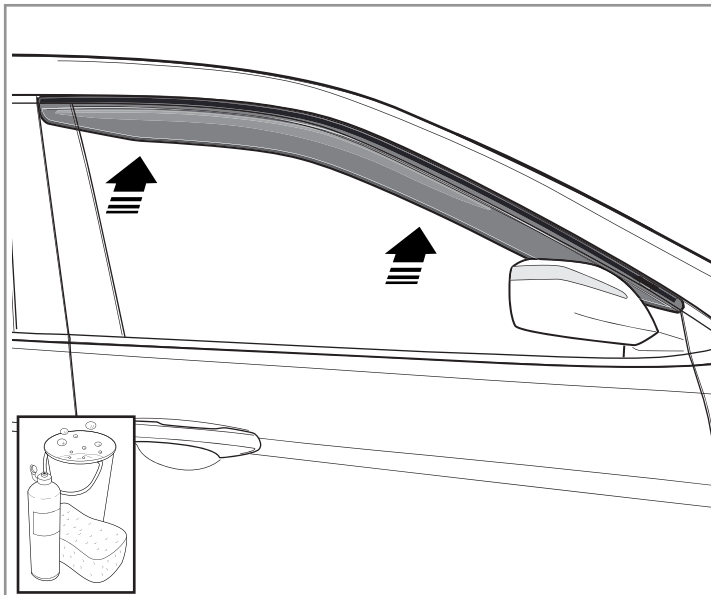
Hardware Kit Overview

| | |
|----|---|
| A |  |
| 12 | Metal Clip |

| | |
|---|---|
| B |  |
| 4 | Alcohol Wipe |

| | |
|---|---|
| C |  |
| 1 | Instructions |

| |
|--------------------|
| Hardware Kit Total |
| 17 |

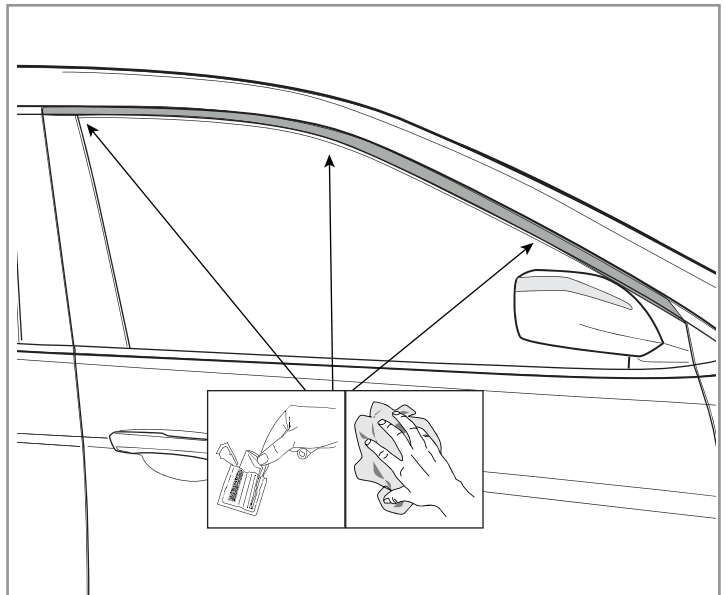


Soap and Water **1**

NOTE

1. Thoroughly clean the Front RH upper door frame and surrounding areas with soap and water.
2. Remove protective film from Sport Visor.
3. Trial fit the Front RH Sport Visor onto door frame, so top edge of Sport Visor aligns with top edge of door frame, and sits flush against the inside edge of the mirror base.

Make sure all surfaces are completely dry before proceeding to the next step.

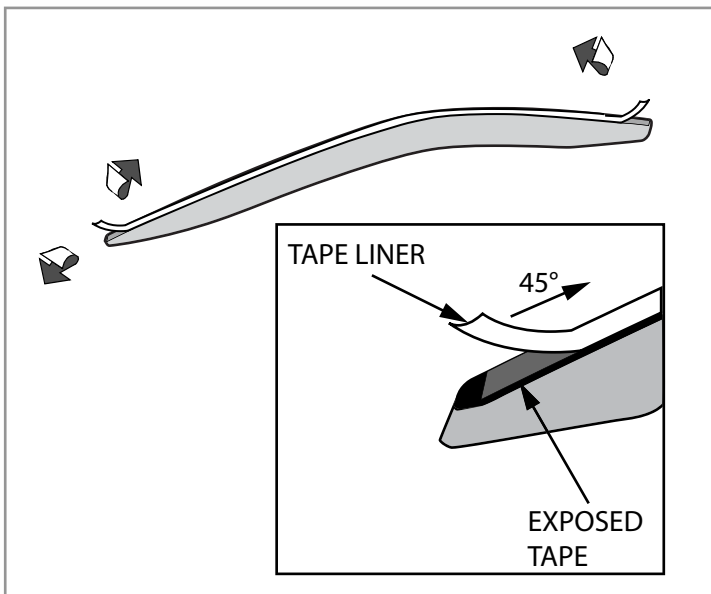


Lint Free Cloth **2**

NOTE

1. Clean the tape attachment areas THOROUGHLY with one (1) provided alcohol wipe. Wipe away any residue with a lint free cloth as shown.

Do not touch the areas that have been cleaned. Do not install if door frame is wet or outside the temperature range indicated on page 1.

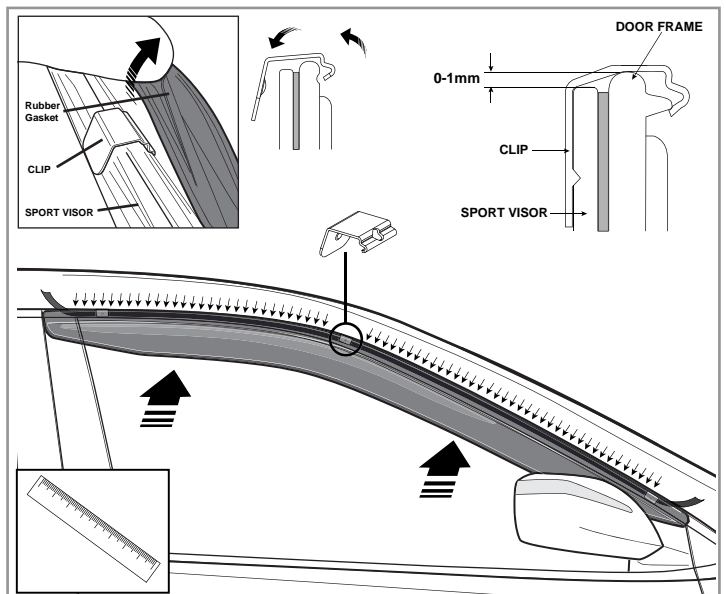


3

NOTE

1. Peel back approximately 50mm (2") of tape liner at each end and fold at 45° to outside of Sport Visor as shown.

Do not touch the exposed tape with hands, allow to get dirty or leave exposed for an extended period of time.



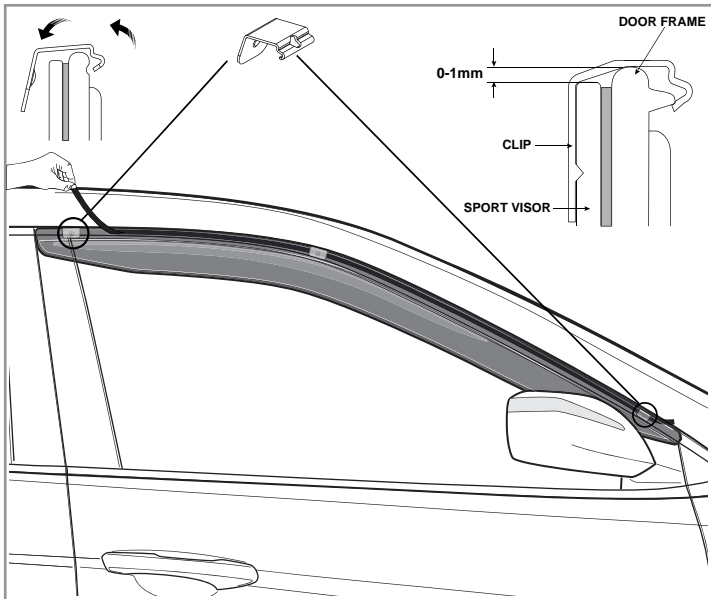
Steel Ruler **4**

NOTE

1. Pull back the rubber gasket on the top of the door frame.
2. Align the front edge of the Sport Visor to the inside edge of the mirror sail.
3. Ensure the tape liners in step 3 are exposed and install one (1) metal clip onto the center location of the Sport Visor and door frame as shown. Make sure the clip makes an audible click when installing. Ensure there is a consistent gap of 0-1mm from the top of the door edge to the top of the Sport Visor as shown.

Apply only light pressure to the front and rear corners of the Sport Visor during the installation of the Center Clip.

HYUNDAI Genuine Accessories



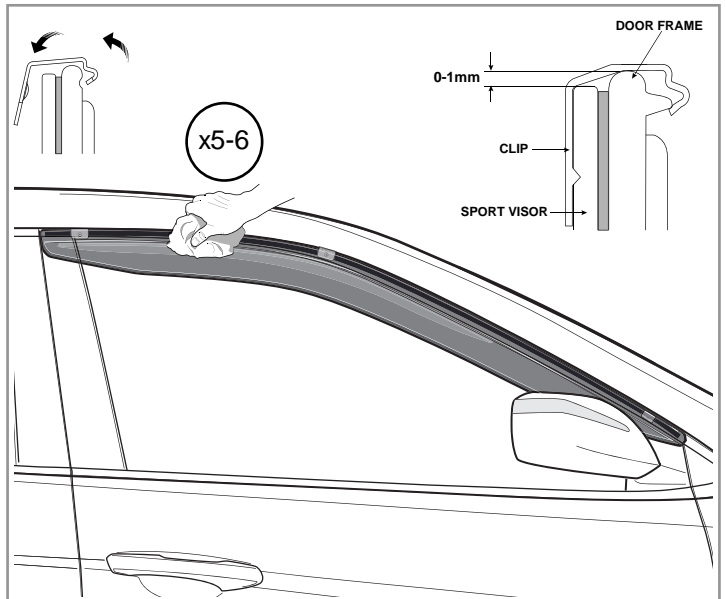
5

NOTE

1. Install two metal clips to the front and rear clip position as shown. Make sure the clip makes an audible click when installing. Center clip must remain in place during this step to ensure correct positioning.
2. Pull exposed liner towards center clip. Be careful not to tear liner as it reaches the center position.



Ensure both installed clips are properly engaged into the retaining holes of the Sport Visor.



6

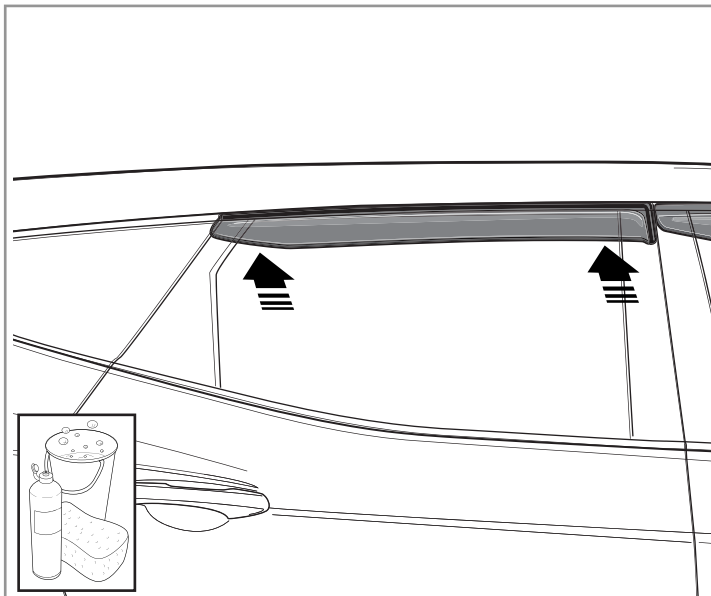
Lint Free Cloth and Nylon Panel Removal Tool

NOTE

1. Once liner has been pulled to the center, remove the center clip using the nylon panel removal tool, so that the liner may be fully removed and discarded.
2. Replace the center clip onto the original position. Make sure the clip makes an audible click when installing.
3. When all clips are in place, apply firm downward pressure to the entire tape flange 5-6 times with a lint free cloth to promote maximum adhesion of the Sport Visor to the door frame.
4. Repeat steps 1-6 for left hand side.



It is critical that the part is correctly pressed down and the clips are properly fitted to ensure the function of the part.



7

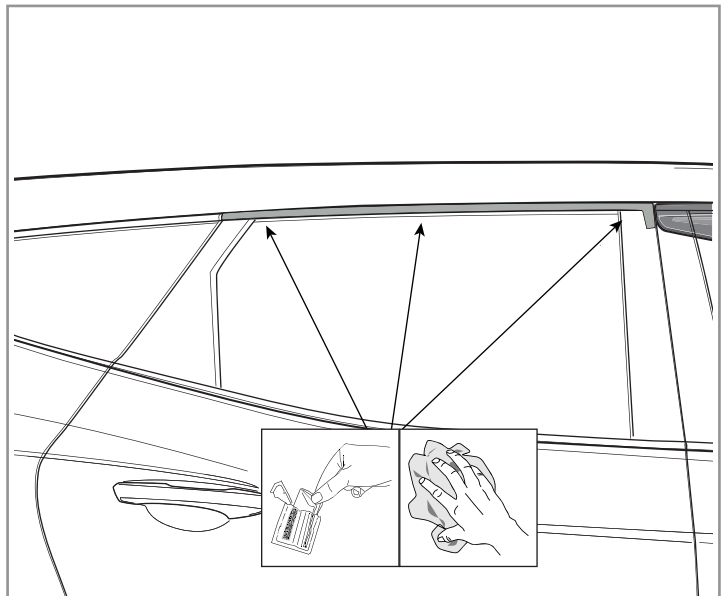
Soap and Water

NOTE

Thoroughly clean the Rear RH upper door frame and surrounding areas with soap and water. Remove protective film from Sport Visor. Trial fit the Rear RH Sport Visor onto door frame, so top edge of Sport Visor aligns with top edge of door frame.



Make sure all surfaces are completely dry before proceeding to the next step.



8

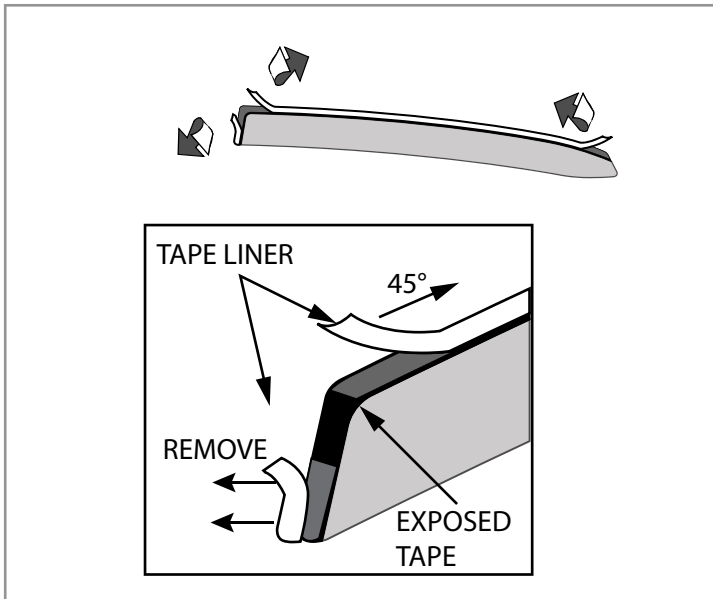
Lint Free Cloth

NOTE

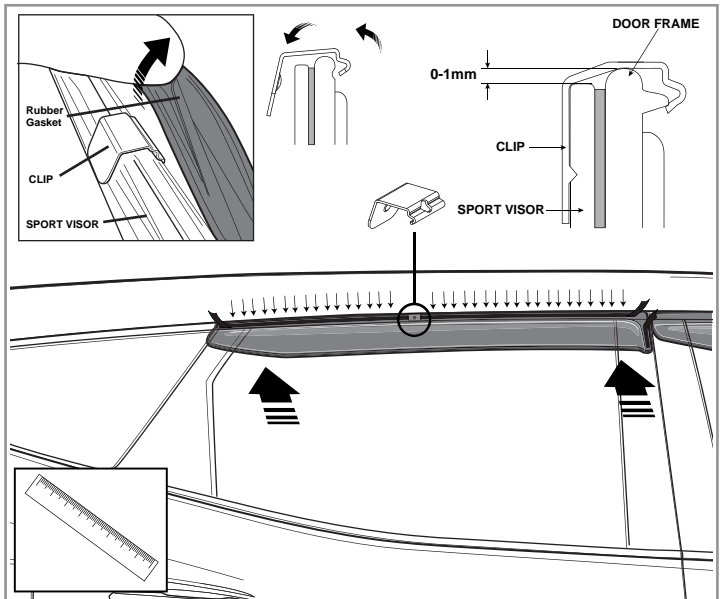
1. Clean the tape attachment areas THOROUGHLY with one (1) provided alcohol wipe. Wipe away any residue with a lint free cloth as shown.



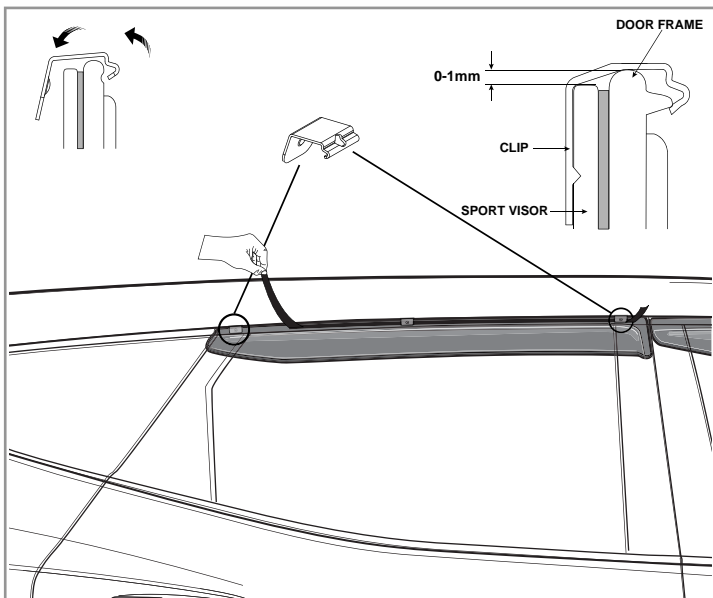
Do not touch the areas that have been cleaned. Do not install if door frame is wet or outside the temperature range indicated on page 1.



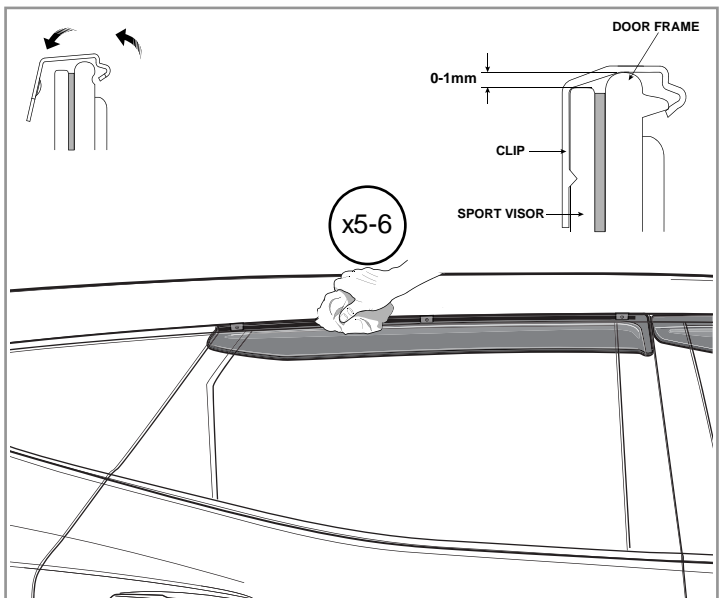
| | |
|-------------|---|
| 9 | |
| NOTE | <ol style="list-style-type: none"> 1. Peel back approximately 50mm (2") of tape liner (long top strip) at each end and fold at 45° to outside of Sport Visor as shown. 2. Fully remove the small vertical tape liner. |
| | Do not touch the exposed tape with hands, allow to get dirty or leave exposed for an extended period of time. |



| | |
|-------------|--|
| 10 | |
| NOTE | <p>Steel Ruler</p> <ol style="list-style-type: none"> 1. Pull back the rubber gasket on the top of the door frame. 2. Align the rear edge of the Sport Visor approximately 2mm from the front edge of the door frame. 3. Ensure the tape liners in step 9 are exposed and install one (1) metal clip onto the center location of the Sport Visor and door frame as shown. Make sure the clip makes an audible click when installing. Ensure there is a consistent gap of 0-1mm from the top of the door edge to the top of the Sport Visor as shown. |
| | Apply only light pressure to the front and rear corners of the Sport Visor during the installation of the Center Clip. |





| | |
|-------------|--|
| 11 | |
| NOTE | <ol style="list-style-type: none"> 1. Install two (2) metal clips to the front and rear clip position as shown. Make sure the clip makes an audible click when installing. Center clip must remain in place during this step to ensure correct positioning. 2. Pull exposed liner towards center clip. Be careful not to tear liner as it reaches the center position. |
| | Ensure both installed clips are properly engaged into the retaining holes of the Sport Visor. |





| | |
|-------------|--|
| 12 | |
| NOTE | <p>Lint Free Cloth and Nylon Panel Removal Tool</p> <ol style="list-style-type: none"> 1. Once liner has been pulled to the center, remove the center clip using the nylon panel removal tool, so that the liner may be fully removed and discarded. 2. Replace the center clip onto the original position. Make sure the clip makes an audible click when installing. 3. When all clips are in place, apply firm downward pressure to the entire tape flange 5-6 times with a lint free cloth to promote maximum adhesion of the Sport Visor to the door frame. 4. Repeat steps 7-12 for left hand side. |
| | It is critical that the part is correctly pressed down and the clips are properly fitted to ensure the function of the part. |

HYUNDAI Genuine Accessories

Visual Check

| Items To Be Checked | Results of the Check |
|--|----------------------|
|  Check position of the Sport Visor to make sure that it is positioned centrally. (Step 4 & 10) | Correct fitment. |
|  Press down on the Sport Visor for maximum adhesion. (Step 6 & 12) | Correct fitment. |

Caution - Please Read

| | | |
|--|---|--|
|  | Do not wash vehicle for 48 hours after installation. | |
|  | Do not drive the vehicle for 1 hour after installation. | |

Care Instructions

Conduct final inspection, ensuring all clips are correctly installed and are fully engaged. Close doors and check clearances at all edges for interference.

Cleaning Instructions

Spray with a firm water spray to remove any loose dirt, then wash with water, detergent and a soft cloth or sponge. DO NOT use petroleum based solvents or abrasives.

Retain these instructions in your glovebox for future reference.