

# HYUNDAI Genuine Accessories













- Accessory Installation

**Vehicle Model** Santa Fe / Santa Fe Sport  
**Model Year** 2013~  
**Part No.** 4Z024 ADU01

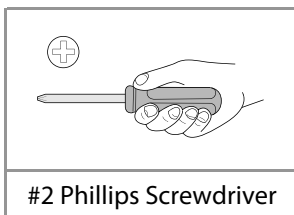
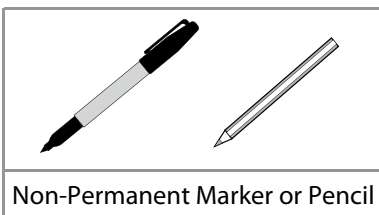
**Accessory** Hood Deflector  
**Difficulty** (B)

**Note: Difficulty stated above reflects the minimum level of expertise required to install the accessory  
 ( A ) Customer ( B ) Dealer Technician ( C ) Master Technician**

## Instructional Symbols / Definitions

 Denotes warnings that may lead to serious physical injury or vehicle damage.	 Denotes quality processes to be checked prior to moving to the next step.	Denotes safety equipment required to be used such as a mask, goggles, rubber gloves, and hearing protection.
 Denotes cautions to be taken to avoid physical injury or electronic component damage.	 Denotes specific tools that are necessary to complete the step.	 Mask  Goggles
 Denotes cautions to be taken to avoid vehicle and component damage.	 Denotes instructional steps necessary to complete the process.	 Rubber Gloves  Hearing Protection

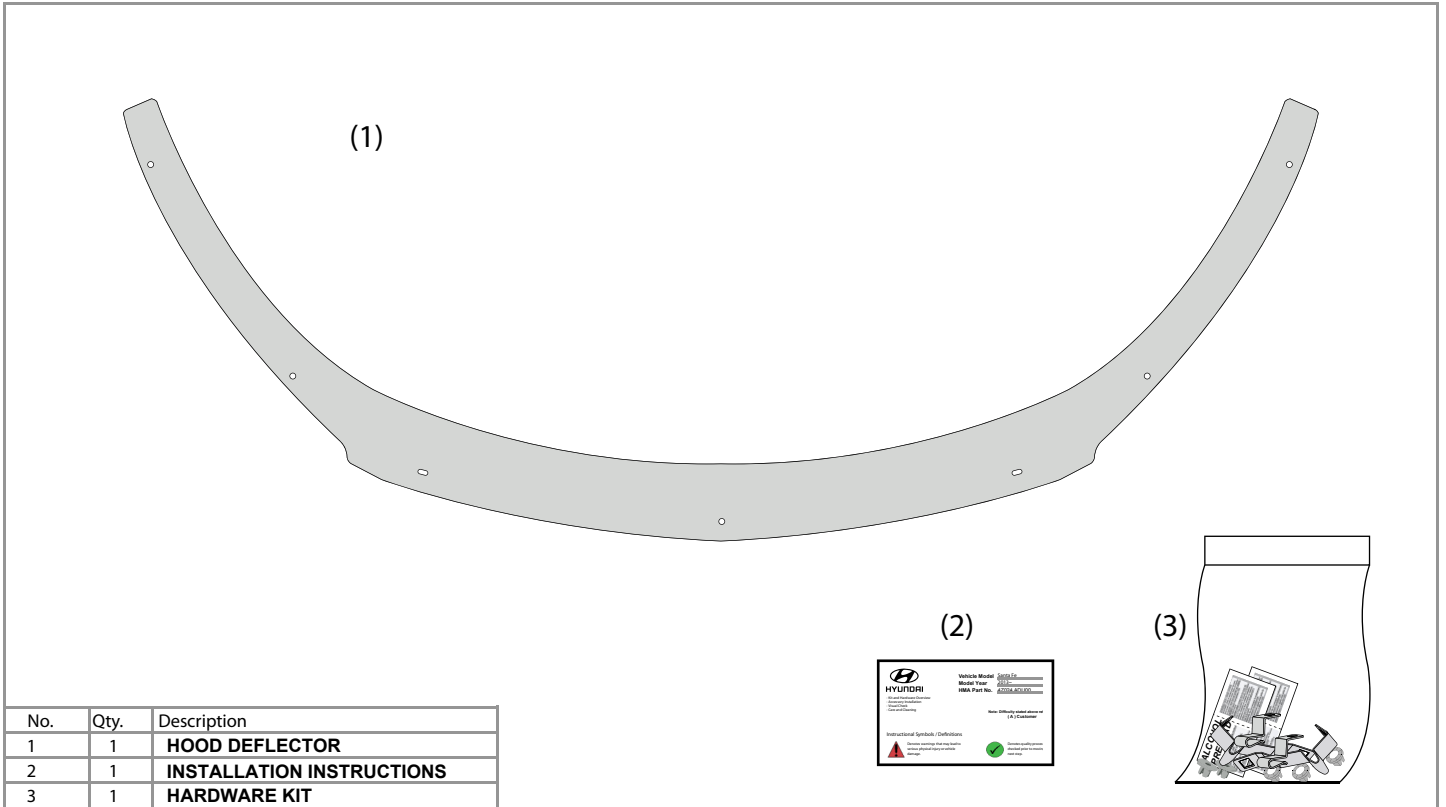
## Basic Hand Tools



<p><u>FMVSS 110</u> Compliance Information</p>	All dealers must determine if the weight they have added in the form of all options or accessories, when added to the weight of all Port Installations or accessories, exceeds the lesser of 1.5% of GVWR or 100 lbs. If the additional weight does exceed the lesser of the indicated thresholds, a "Load Carrying Capacity Reduced" label must be installed. A black, fine-point, indelible marker must be used to write by hand onto the label, the reduced carrying capacity in kilograms or pounds, which is the total weight of all added options and accessories.
<p><u>Part Number</u> 4Z024 ADU01</p> <p style="font-size: 24pt; font-weight: bold;">0.64kg</p> <p style="font-size: 24pt; font-weight: bold;">1.4 lbs</p>	
Load Label Part Number NP070-09003	

# HYUNDAI Genuine Accessories

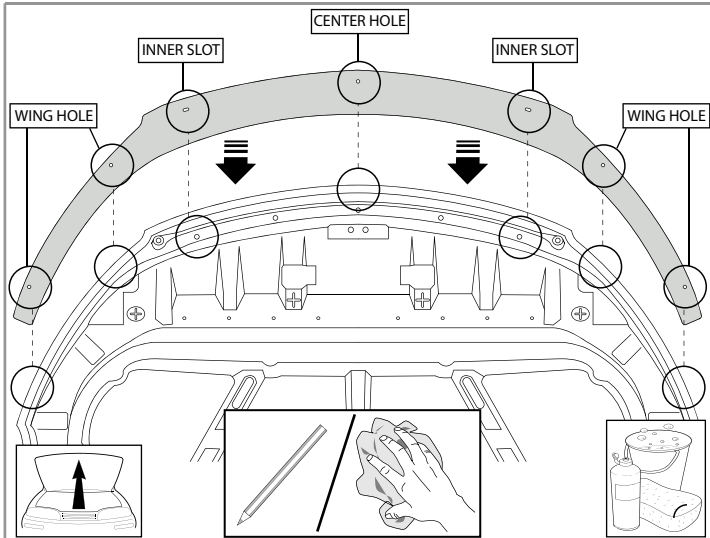
## Kit Overview



## Hardware Overview

A		B		C		D		E	
1	Alcohol Prep Pad	2	Fixed Metal Clip	4	Metal Wing Clip	1	Center Metal Clip	7	Nut Insert
F		G		H		I		J	
7	Small Washer	2	Screw Plug	5	Small Abrasive Tape	2	Large Abrasive Tape	2	Self Tapping Screw
K		L							
7	Small Screw	2	Die-Cut Abrasive Tape						

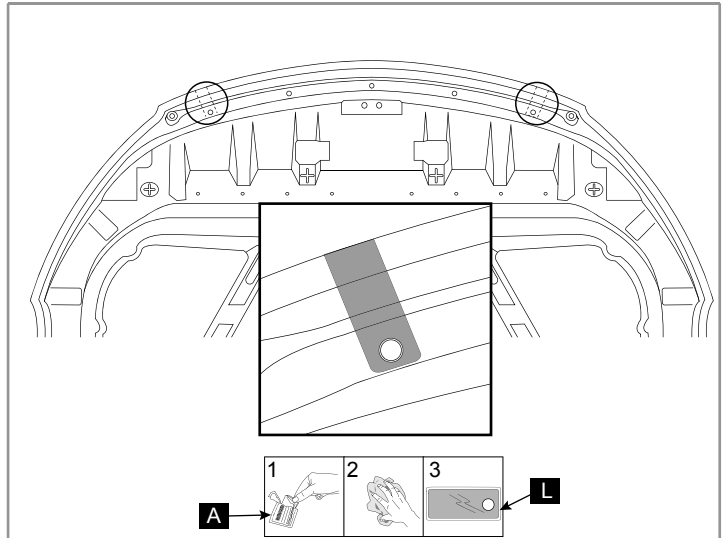
<b>Hardware Kit Total</b>
42



Soap and Water, Clean Dry Cloth, and a Non-Permanent Marker or Pencil **1**

**NOTE** Thoroughly clean and dry the hood prior to installation. Open the hood and trial fit the Hood Deflector centrally onto hood by aligning the center hole in the hood with the notch in the center of the Hood Deflector. With a non-permanent marker or pencil, mark the holes on the underside of the hood that correspond with the two (2) inner slots in the Hood Deflector. Also mark the center hole position, and the four (4) wing hole positions in relation to the hood lip with a non-permanent marker or pencil. Remove the Hood Deflector.

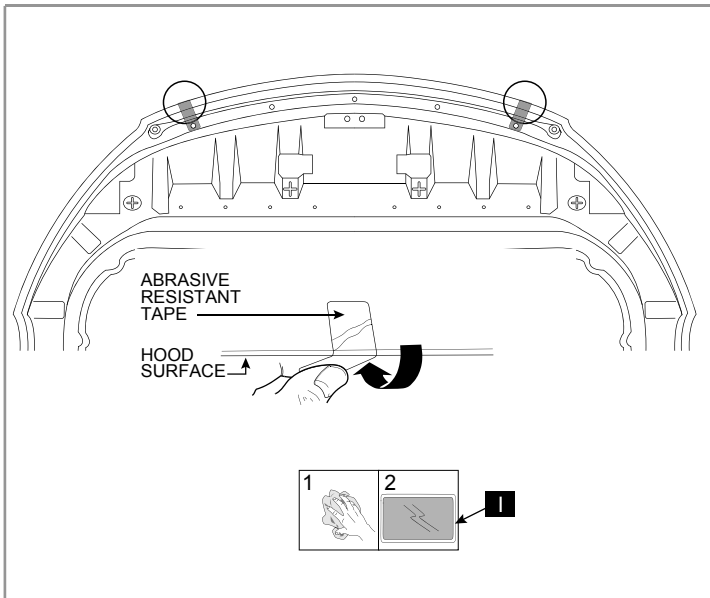
Make sure all surfaces are completely dry and correctly marked before proceeding to the next step.



Clean Dry Cloth, and a Non-Permanent Marker or Pencil **2**

**NOTE** Trial fit the two (2) fixed metal clips "B" aligning the square holes in the clips with the holes in the hood. With a non-permanent marker or pencil mark where the clips make contact with the hood areas, and then remove the clips. Clean these areas with the alcohol wipe provided. Be careful not to wipe away marks underneath the hood. Wipe off any residue with a dry clean cloth. Adhere the two (2) die-cut abrasive resistant tape strips "L" to the hood by aligning the hole in the abrasive resistant tape with the hole in the hood.

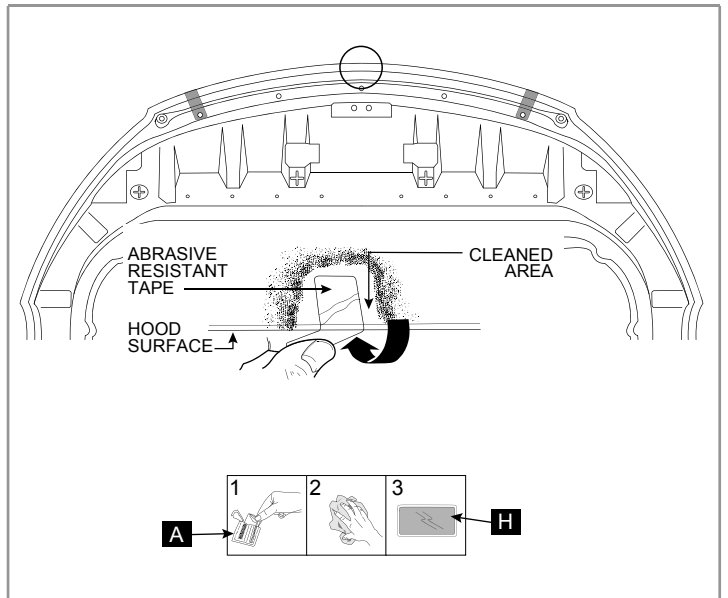
Ensure abrasive resistant tape strips are evenly distributed on the edge of the hood to prevent metal clips from having direct contact to the paint.



Clean Dry Cloth **3**

**NOTE** Adhere the two (2) large abrasive resistant tape strips "I" over the hood lip and tape "L". Adhere tape so approximately one third of the tape is on the topside and two thirds are on the underside of the hood.

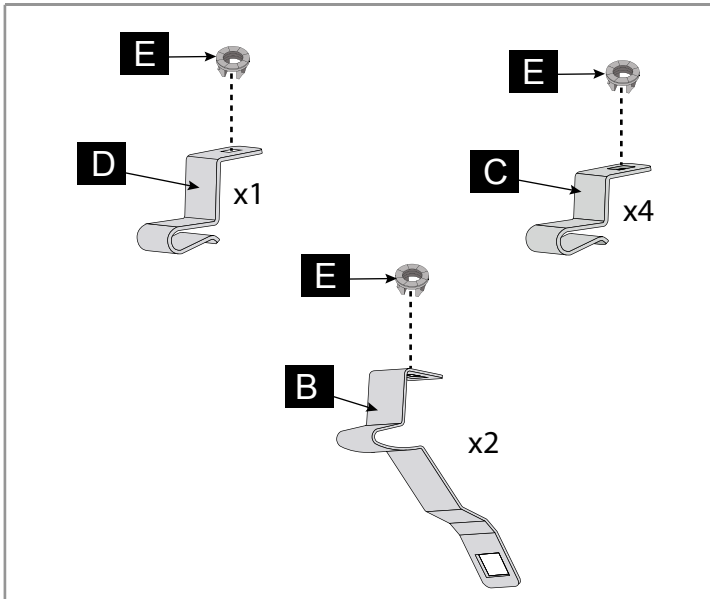
Ensure abrasive resistant tape strips are evenly distributed on the edge of the hood to prevent metal clips from having direct contact with the paint.



**4**

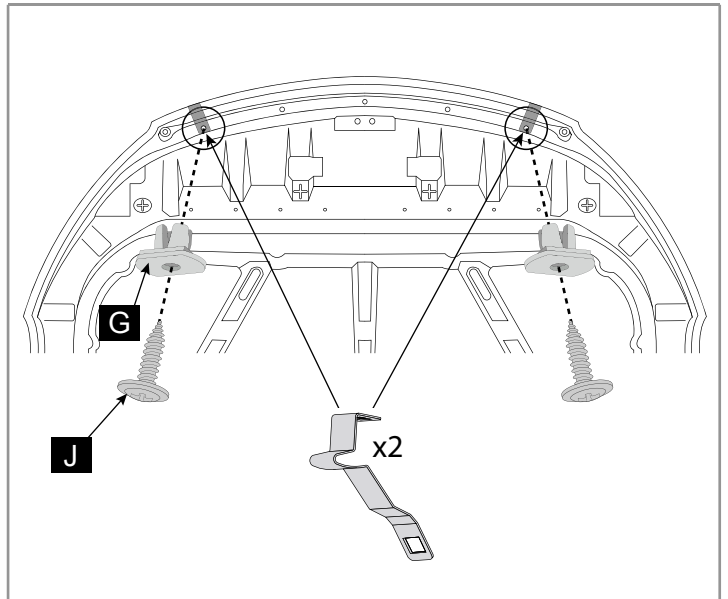
**NOTE** Clean the previously marked area under the center clip location with alcohol wipe provided. Wipe off any residue with a dry clean cloth. Adhere one (1) of the small abrasive resistant tape strips "H" over the hood lip. Adhere tape so approximately half of the strip is adhered to the top side and half is adhered to the underside of hood.

Ensure abrasive resistant tape strips are evenly distributed on the edge of the hood to prevent metal clips from having direct contact to the paint.



**5**

**NOTE** Fit the seven (7) nut inserts "E" into the square slots of all seven (7) metal clips "B", "C" and "D".

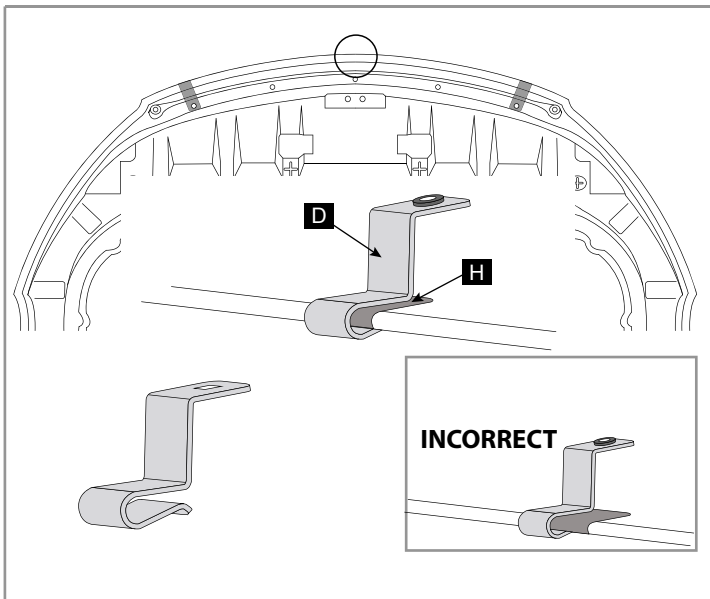


**#2 Phillips Screwdriver**

**6**

**NOTE** Fit the two (2) screw plugs "G" into the square slots of the two (2) fixed metal clips "B". Position the fixed metal clips onto hood and secure the clips by pressing the screw plug through the metal clip into the hood, next insert self tapping screws "J" into the screw plugs, as shown. Make sure that the clips rest on the abrasive resistant tapes.

**NOTE** Ensure metal clips are positioned over abrasive resistant tape strips preventing direct contact with the paint. Failure to do so may result in permanent paint damage.

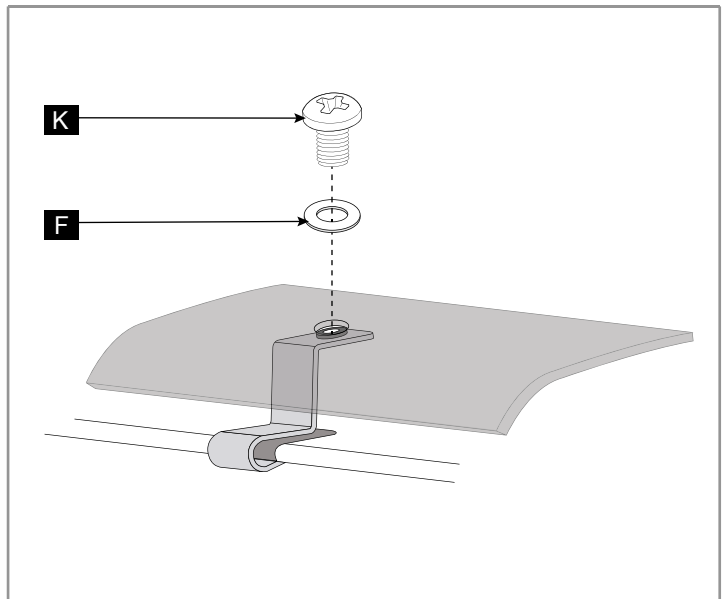


**7**

**NOTE** At the marked center position, install the center clip "D". Locate the bottom leg of the clip over the abrasive resistant tape then push into place. Make sure that the clip rests on the abrasive resistant tape.

**INCORRECT**

**NOTE** Ensure the metal clip is positioned over the abrasive resistant tape strip preventing direct contact with the paint. Failure to do so may result in permanent paint damage.

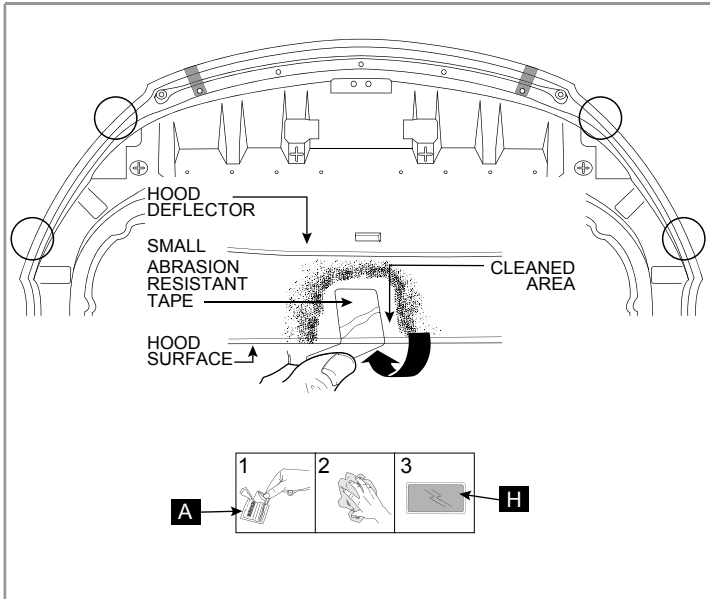


**#2 Phillips Screwdriver**

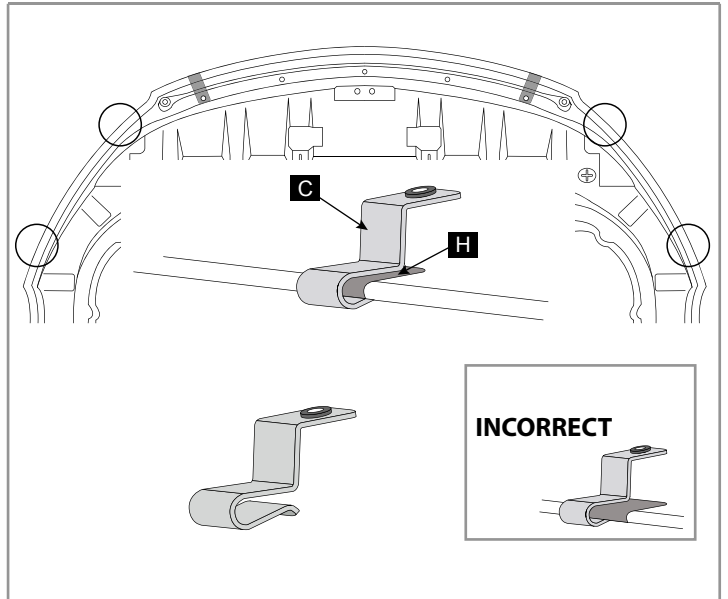
**8**

**NOTE** Remove the protective film from the Hood Deflector. Fit the Hood Deflector centrally to hood and loosely secure to the top of center metal clips "B" and "D" with three (3) of the small screws "K" and three (3) of the washers "F" provided.

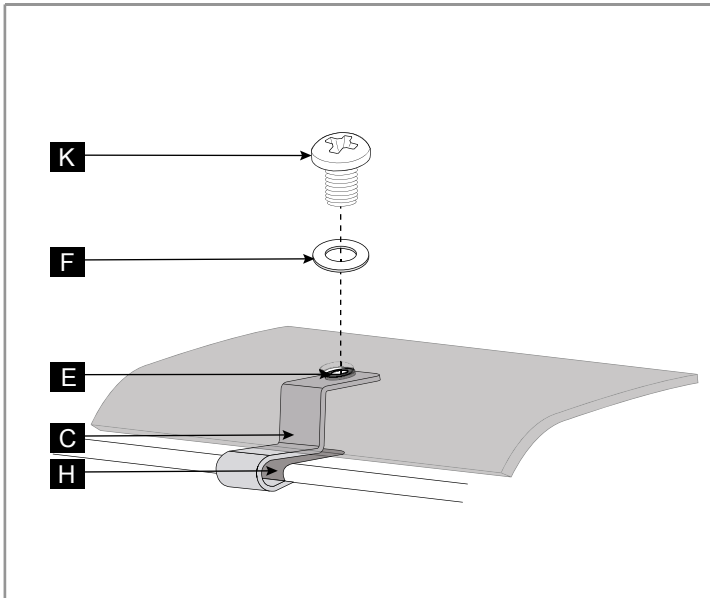
**NOTE** Only use moderate tension when securing the screws as to allow the hood deflector slight movement.



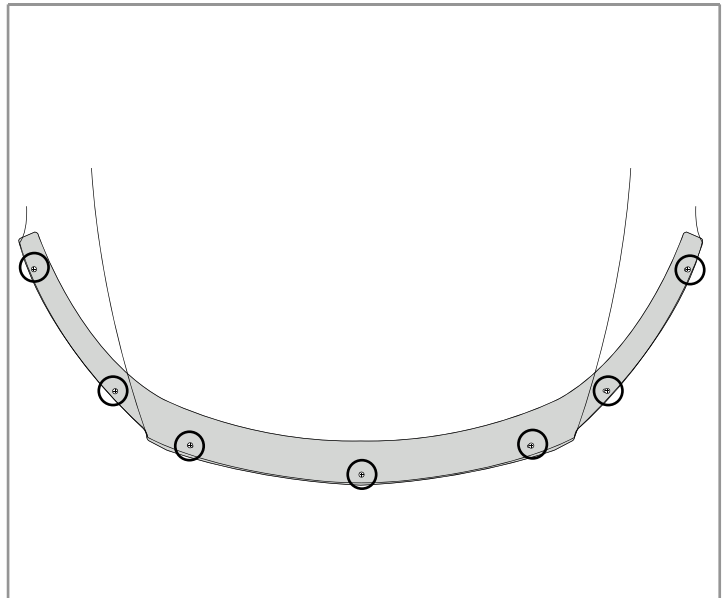
🔧	Clean Dry Cloth	<b>9</b>
<b>NOTE</b>	<p>Clean the four (4) marked areas under the wing clip locations with alcohol wipe provided. Wipe off any residue with a dry clean cloth. Perform the following at all four (4) wing clip positions: Align small abrasive resistant tape so that center of tape is aligned with wing clip screw hole in deflector. Adhere the small abrasive resistant tape "H" so that approximately half of the strip is adhered to the top side and half is adhered to the underside of the hood.</p>	
✔	Ensure center of small abrasive resistant tape strips are aligned with wing clip screw holes in deflector to prevent contact between metal clips and painted surface of hood.	



🔧		<b>10</b>
<b>NOTE</b>	<p>At the four (4) marked wing positions install the four (4) metal wing clips "C". Locate the bottom leg of the clip over the abrasive resistant tape then push into place. Make sure that the clips rest on the abrasive resistant tapes.</p>	
✔	Ensure metal wing clips are positioned over abrasive resistant tape strips preventing direct contact to the paint. Failure to do so may result in permanent paint damage.	









🔧	#2 Phillips Screwdriver	<b>11</b>
<b>NOTE</b>	<p>Loosely secure Hood Deflector to the top of metal wing clips "C" with the four (4) remaining small screws "K" and the four (4) remaining washers "F" provided.</p>	
✔	Only use moderate tension when securing the screws as to allow the hood deflector slight movement.	



🔧	#2 Phillips Screwdriver	<b>12</b>
<b>NOTE</b>	<p>Check alignment of Hood Deflector then fully tighten all seven (7) screws "K".</p>	

## HYUNDAI Genuine Accessories

Items To Be Checked	Results of the Check
 Check positioning of abrasive resistant tape with the slots in the Hood Deflector. (Step 2, Step 3, Step 4, Step 9)	Correct fitment.
 Check the fixed metal clips are over the abrasive resistant tape. (Step 6)	Correct positioning.
 Check the center metal clip is over the abrasive resistant tape. (Step 7)	Correct positioning.
 Check the metal wing clips are over the abrasive resistant tapes. (Step 10)	Correct positioning.
 Do not over tighten screws	Correct fitment.
 Check part (Hood Deflector) to be centrally positioned . (Step 12)	Correct fitment.

**Care Instructions**

Conduct final inspection, ensuring all fasteners are tightened, and clips are correctly installed and not touching painted surfaces. Close hood and check clearances at all edges for interference

**Cleaning Instructions**

Spray with a firm water spray to remove any loose dirt, then wash with water, detergent and a soft cloth or sponge. DO NOT use petroleum based solvents or abrasives

**Retain these instructions in your glovebox for future reference.**