













## HYUNDAI Genuine Accessories

<b>Vehicle Model</b>	Santa Fe	<b>Accessory</b>	Cargo Tray
<b>Model Year</b>	2013~	<b>Difficulty</b>	(A)
<b>Part No.</b>	B8012 ADU00		

- Accessory Installation

Note: Difficulty stated above reflects the minimum level of expertise required to install the accessory  
( A ) Customer    ( B ) Dealer Technician    ( C ) Master Technician

### Instructional Symbols / Definitions

 Denotes warnings that may lead to serious physical injury or vehicle damage.	 Denotes quality processes to be checked prior to moving to the next step.	Denotes safety equipment required to be used such as a mask, goggles, rubber gloves, and hearing protection.
 Denotes cautions to be taken to avoid physical injury or electronic component damage.	 Denotes specific tools that are necessary to complete the step.	 <b>Mask</b>
 Denotes cautions to be taken to avoid vehicle and component damage.	 Denotes instructional steps necessary to complete the process.	 <b>Goggles</b>
		 <b>Rubber Gloves</b>
		 <b>Hearing Protection</b>

### Basic Required Hand Tools

None
------

#### FMVSS 110 Compliance Information

**Part Number:  
B8012 ADU00**

**2.11 LBS  
(Gross Weight)**

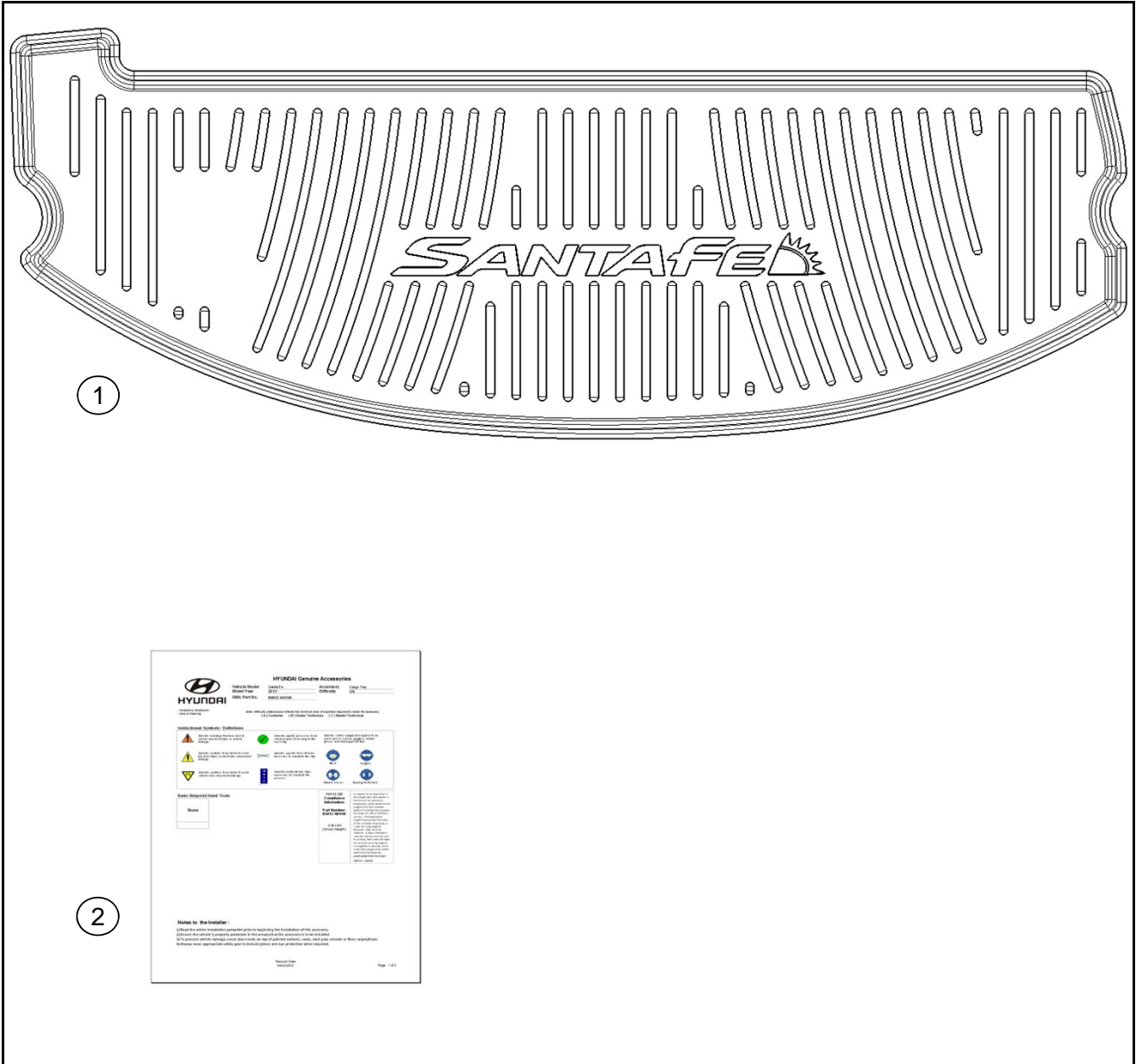
All dealers must determine if the weight they have added in the form of all options or accessories, when added to the weight of all Port Installed options or accessories, exceeds the lesser of 1.5% of GVWR or 100 lbs. If the additional weight does exceed the lesser of the indicated thresholds, a "Load Carrying Capacity Reduced" label must be installed. A black, fine-point, indelible marker must be used to write by hand onto the label, the reduced carrying capacity in kilograms or pounds, which is the total weight of all added options and accessories.  
**Load Label Part Number:  
NP070 - 09003**

### Notes to the Installer :

- 1) Read the entire installation pamphlet prior to beginning the installation of this accessory.
- 2) Ensure the vehicle is properly protected in the area(s) that the accessory is to be installed.
- 3) To prevent vehicle damage, never place tools on top of painted surfaces, seats, dash pad, console or floor carpet/mats.
- 4) Always wear appropriate safety gear to include gloves and eye protection when required.

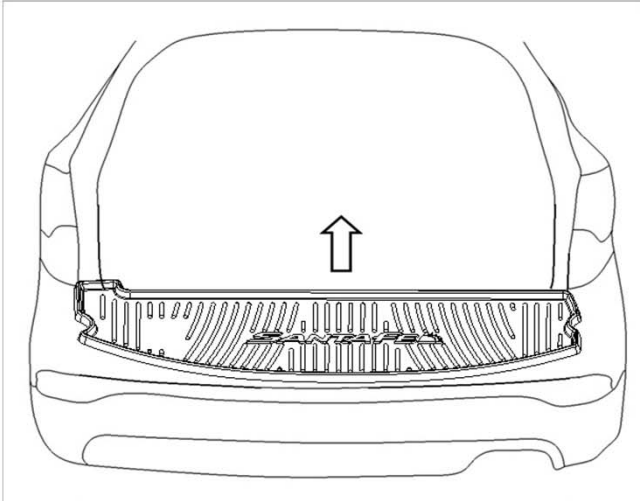
# HYUNDAI Genuine Accessories

## Kit Overview



No.	Qty.	Description
1	1	Cargo Tray
2	1	Instructions

## HYUNDAI Genuine Accessories



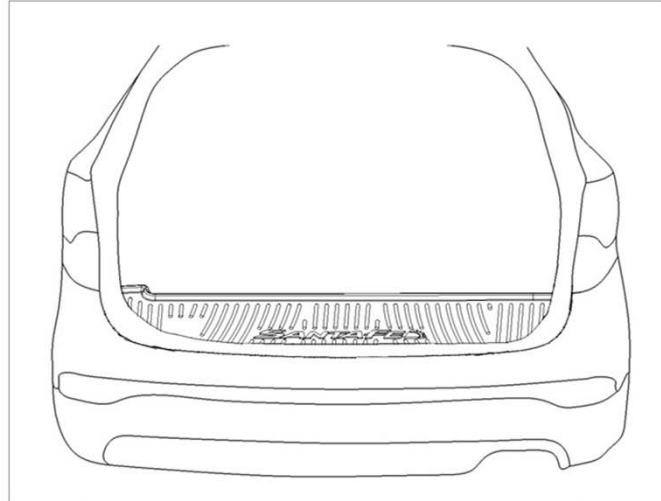
1

NOTE

Grasp the tray by the rear and fold in the sides sufficiently to slide the mat into the cargo compartment.



The tray may have incurred some distortion during shipment. The mat will return to its molded shape with installation in the cargo area and exposure to warm environmental conditions.



2

NOTE

After installing the tray, ensure all of the edges are pushed down against the floor.



Ensure installation instructions are placed in glove box.

### Care and Cleaning

NOTE

The tray can be vacuumed and washed with soap and water. Do not use petroleum-based solvents for cleaning. Please keep these instructions in your glove box for future reference.