



Hyundai Genuine Accessories

Vehicle Model Santa Fe
 Model Year 2013 ~
 Part No. B8012 ADU10 RYN
B8012 ADU10 NBC

Accessory Carpeted Cargo Tray
 Difficulty A

- Accessory Installation

Note: Difficulty stated above reflects the minimum level of expertise required to install the accessory
 (A) Customer (B) Dealer Technician (C) Master Technician

Instructional Symbols / Definitions

	Denotes warnings that may lead to serious physical injury or vehicle damage.		Denotes quality processes to be checked prior to moving to the next step.	Denotes safety equipment required to be used such as a mask, goggles, rubber gloves, and hearing protection.	
	Denotes cautions to be taken to avoid physical injury or electronic component damage.		Denotes specific tools that are necessary to complete the step.		
	Denotes cautions to be taken to avoid vehicle and component damage.		Denotes instructional steps necessary to complete the process.		
				Mask	Goggles
				Rubber Gloves	Hearing Protection

None

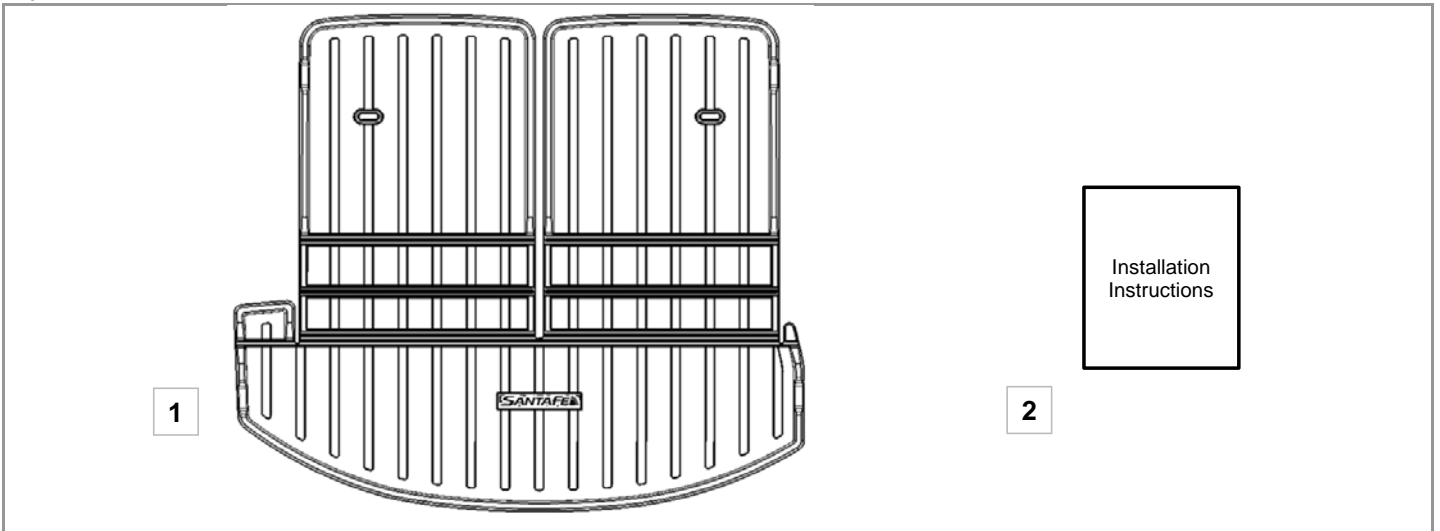
FMVSS 110 Compliance Information	<p>All dealers must determine if the weight they have added in the form of all options or accessories, when added to the weight of all Port Installed options or accessories, exceeds the lesser of 1.5% of GVWR or 100 lbs. If the additional weight does exceed the lesser of the indicated thresholds, a "Load Carrying Capacity Reduced" label must be installed. A black, fine-point, indelible marker must be used to write by hand onto the label, the reduced carrying capacity in kilograms or pounds, which is the total weight of all added options and accessories.</p> <p>Load Label Part Number: NP070-09003</p>
<p>Part Number(s): B8012 ADU10 RYN B8012 ADU10 NBC 4.4 LBS (Gross Weight)</p>	

Notes to the Installer:

- Read the entire installation pamphlet prior to beginning the installation of the accessory.
- Ensure that the vehicle is properly protected in the area that the accessory is to be installed.
- To prevent vehicle damage, never place tools on top of painted surfaces, seats, dash pad, console or floor carpet / mat.
- Always wear appropriate safety gear to include gloves and eye protection when required.
- Place these instructions in the glove box after the installation is complete.

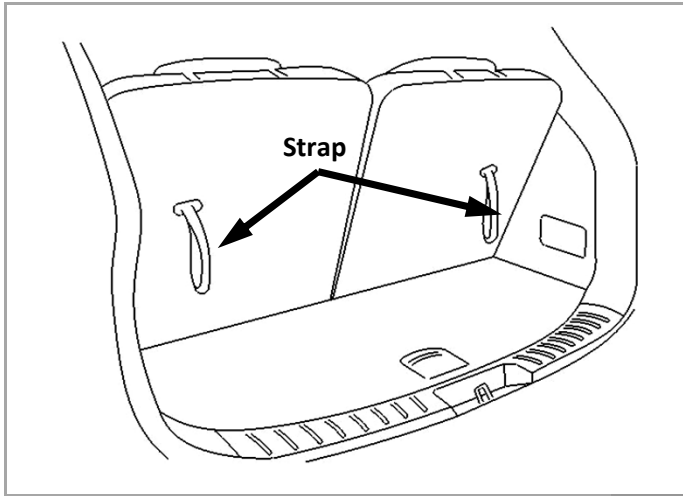
Hyundai Genuine Accessories

Hyundai Kit Overview



No.	Qty.	Description
1	1	Carpeted Cargo Tray
2	1	Installation Instructions

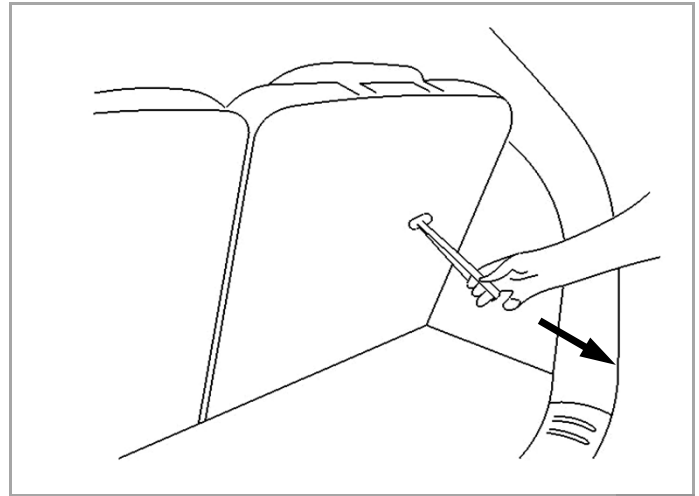
Hyundai Genuine Accessories



1

1. Open the rear lift gate and locate the straps on the seatbacks.

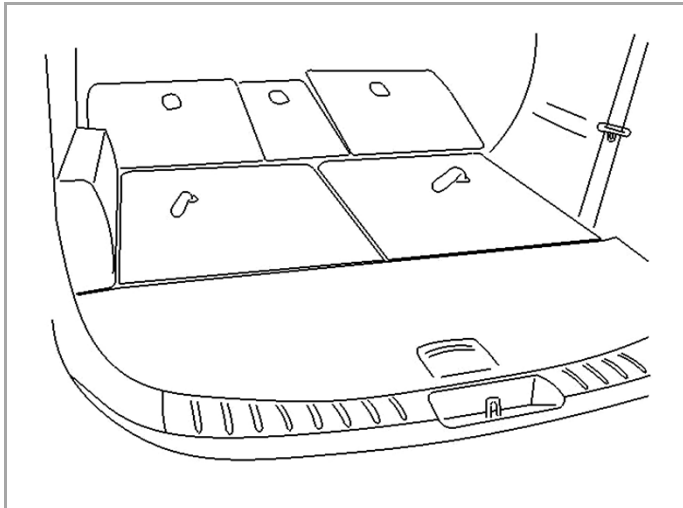
NOTE



2

1. Starting with the passenger side, pull the strap to lower the seatback fully forward.
2. Repeat on the driver side.

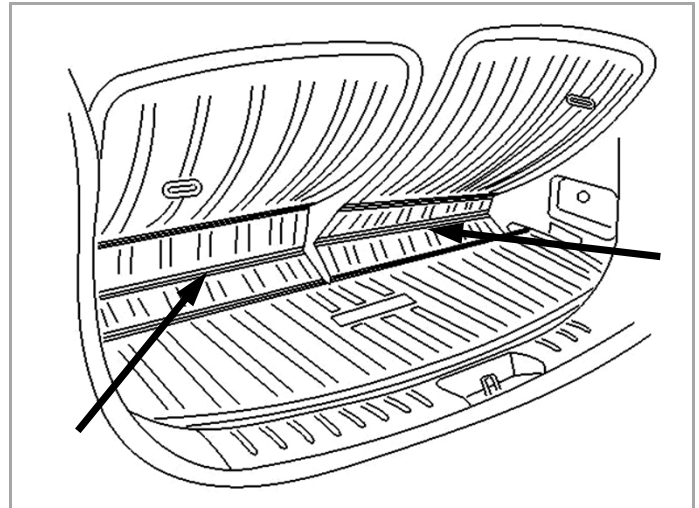
NOTE



3

1. Fold the driver and passenger rear seatbacks fully forward to a level position with the cargo area.

NOTE

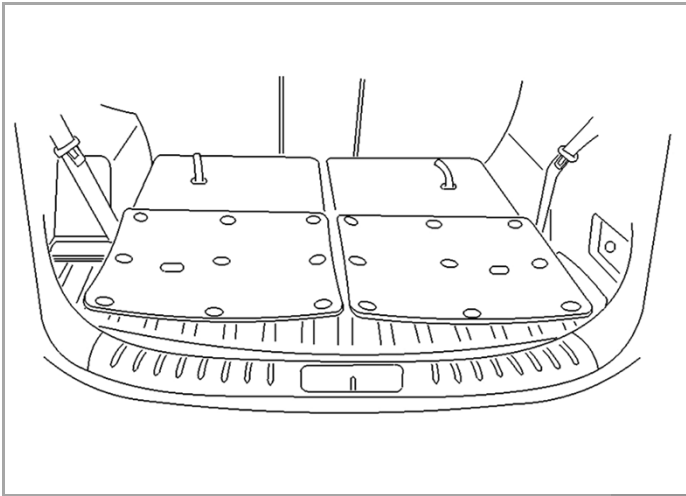


4

1. Fold the cargo tray at the hinges and install into the vehicle cargo area as shown.

NOTE

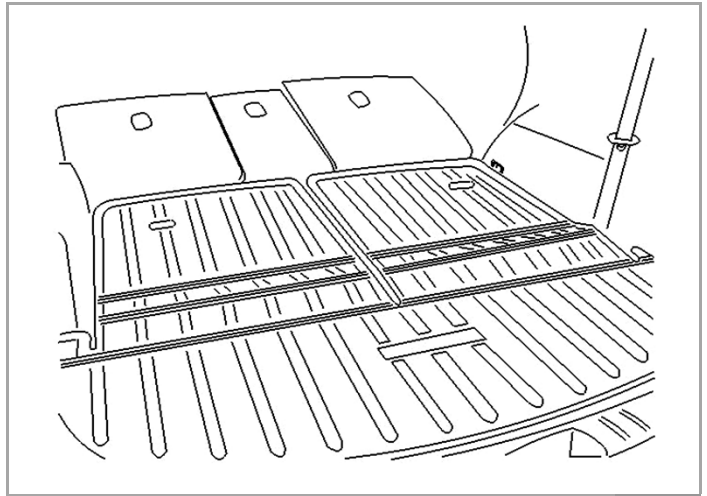
Hyundai Genuine Accessories



5

NOTE

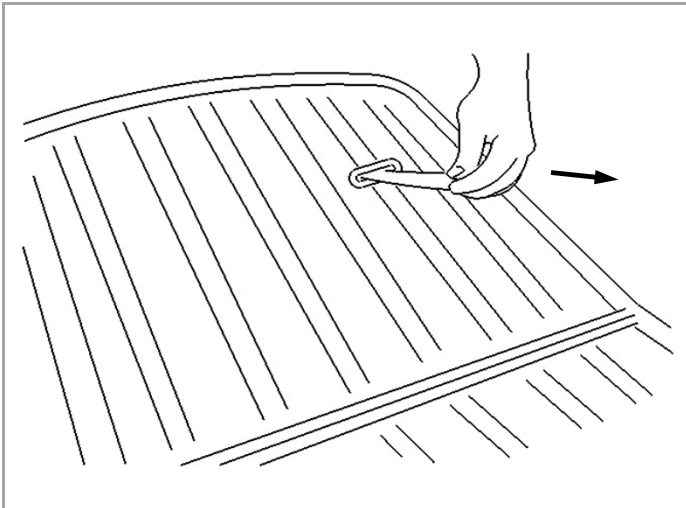
1. With the folded panels facing up, align the bottom portion of the carpeted tray with the contours of the cargo area as shown.



6

NOTE

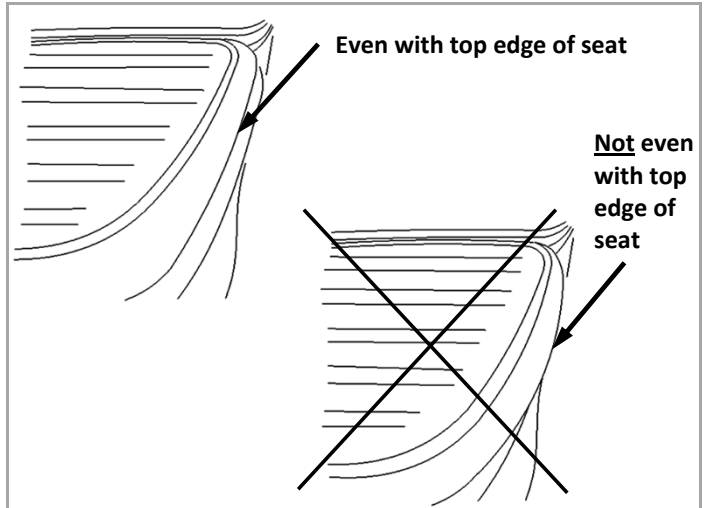
1. Unfold the driver and passenger panels of the cargo tray and lay them flat on the seatback.



7

NOTE

1. Insert the passenger side pull strap through the cutout in the tray as shown.
2. Repeat for the driver side.

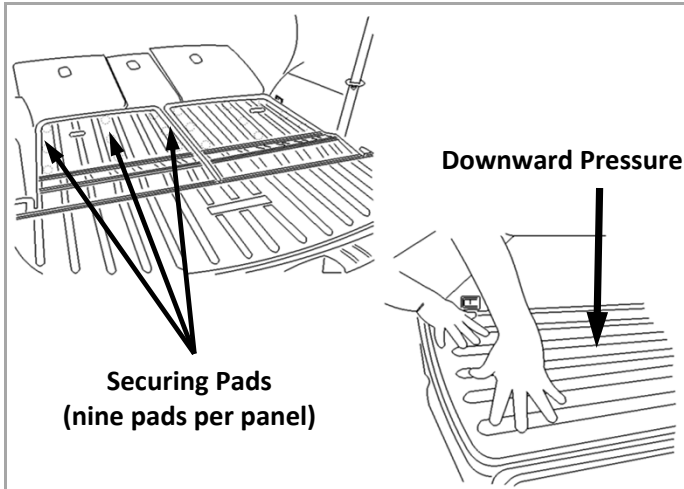


8

NOTE

1. With the straps in place align the tray with the seatbacks.
2. If the tray is not in the desired location, simply lift tray off the seatback and realign.

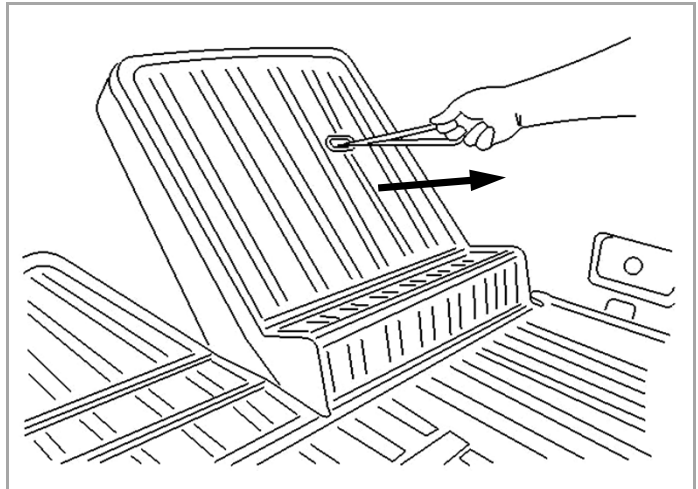
Hyundai Genuine Accessories



9

NOTE

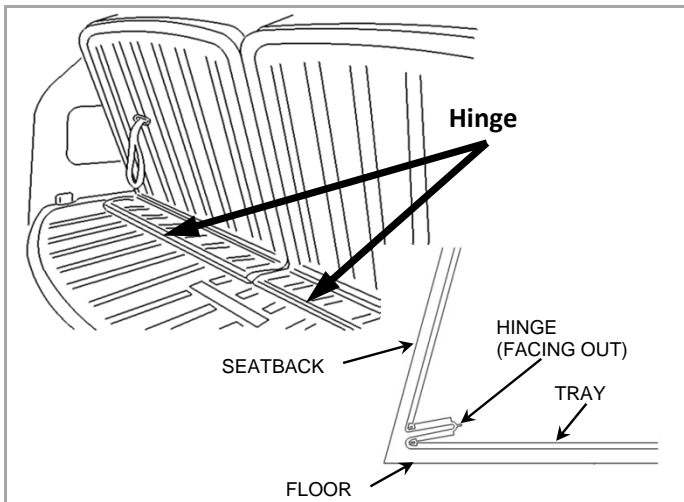
1. Attach the remaining securing pads by firmly pressing each upper panel down against the seatbacks as shown.
2. Repeat on the other side.



10

NOTE

1. Slowly return the seatback to the upright position ensuring the tray folds to the outward position as shown in step 11.



11

NOTE

1. Ensure the folding hinge is facing outward when first placing the seatback in the upright position.

Care and Cleaning

**N
O
T
E**

The tray can be wiped, swept, lightly vacuumed, or cleaned with water or soap and water. Do not use petroleum-based solvents for cleaning.