

# Genuine Accessories



Vehicle Model **Santa Fe**

Model Year 2017-  
 Part No. B8131 ADUP0 (PIO)  
B8131 ADU00 (DIO)  
 Language English  
 Rev. Date 3/1/2016

Accessory: **Applique, Bumper**

Difficulty: ( B )

**Note:** Difficulty stated above reflects the minimum level of expertise required to install the accessory:  
 (A) Customer  
 (B) Dealer Technician  
 (C) Master Technician or Specialist

## Instructional Symbols / Definitions

	Denotes warnings that may lead to serious physical injury or vehicle damage		Denotes quality processes to be checked prior to moving to the next step	Denotes personal protective equipment (PPEs) that may be required for a step. Examples of safety equipment icons noted below:	
	Denotes cautions to be taken to avoid physical injury or electronic component damage		Denotes specific tools that are necessary to complete a step		
	Denotes cautions to be taken to avoid vehicle and component damage	<b>N O T E</b>	Denotes important information to be reviewed during the step		
				Glasses	Gloves
				Mask	Hearing Protection

## Basic Required Tools

50/50 Isopropyl Alcohol (70%) & Water	Microfiber Cloth	Masking Tape

## Part Weight (Gross)

<b>0.08</b>	lbs
<b>0.04</b>	kg

## FMVSS 110 Compliance Information

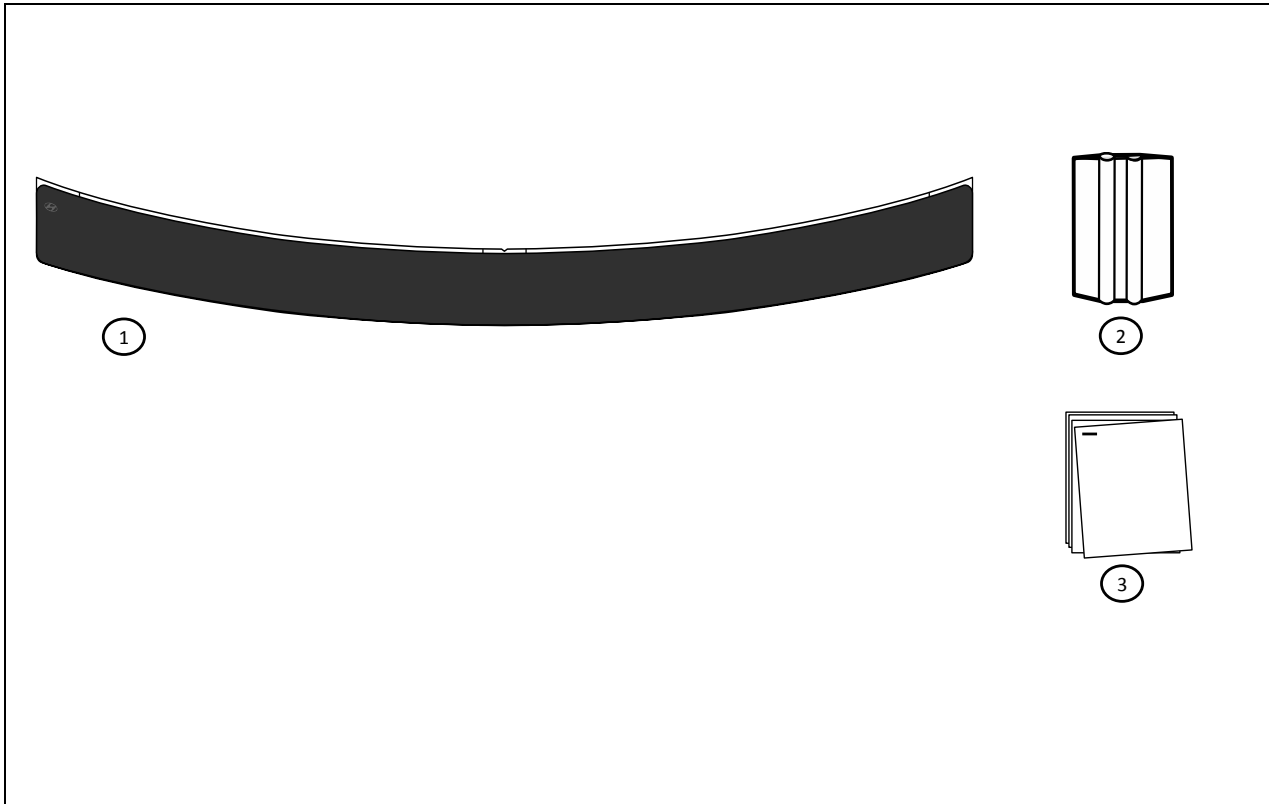
All dealers must determine if the weight they have added in the form of all options or accessories, when added to the weight of all Port/Dealer Installed options or accessories, exceeds the lesser of 1.5% of GVWR or 100 lbs. If the additional weight does exceed the lesser of the indicated thresholds, a "Load Carrying Capacity Reduced" label must be installed. A black, fine-point, indelible marker must be used to write by hand onto the label, the reduced carrying capacity in kilograms or pounds, which is the total weight of all added options and accessories.  
**Load Label Part Number: NP070 - 09003**

## Notes to the installer:

- 1) Read the entire installation instructions prior to beginning the installation of this accessory.
- 2) Make sure the vehicle is completely clean before the accessory is installed.
- 3) Ensure the vehicle is properly protected in the area(s) that the accessory is to be installed.
- 4) To prevent vehicle damage, never place tools on top of painted surfaces, seats, dash pad, console or floor carpet/mats.
- 5) Always wear appropriate safety gear to include gloves and safety glasses when required.
- 6) Install this product while observing all warnings and precautions stated in this instruction booklet.
- 7) **VERY IMPORTANT:** Thoroughly clean bumper area with cleaning solution. If contaminants are found, clean with an automotive grade clay bar (follow instructions provided with clay bar). (Cleaning solution: 50/50 mix of Isopropyl Alcohol (70%) & Water).
- 8) **VERY IMPORTANT:** Ambient temperature Bumper Applique and vehicle must be 65°F to 90°F at the time of installation and for two hours after.
- 9) Parts storage should be at room temperature and in a clean dry place. Care should be taken to avoid a dusty environment.


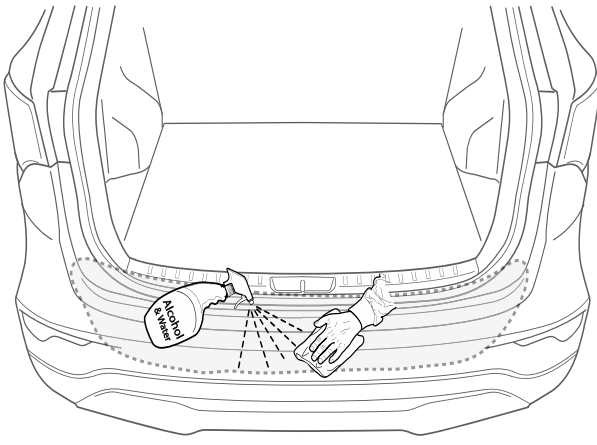
# Genuine Accessories


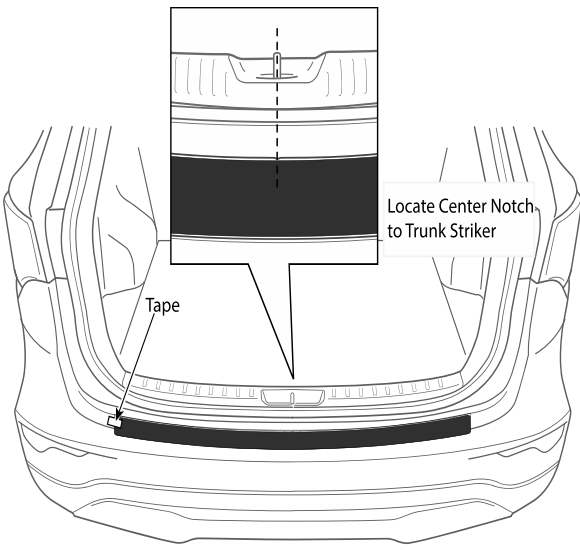
## Kit Overview


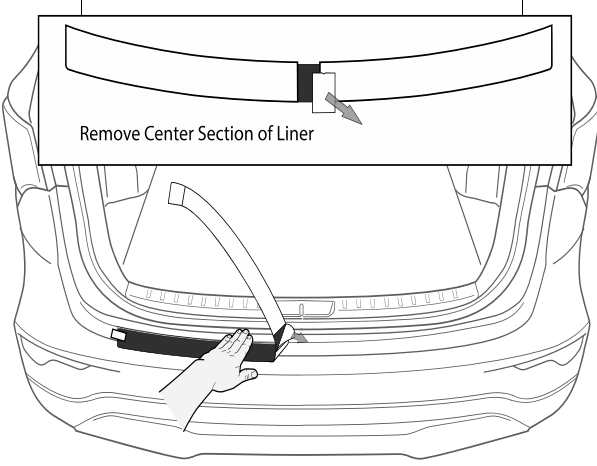



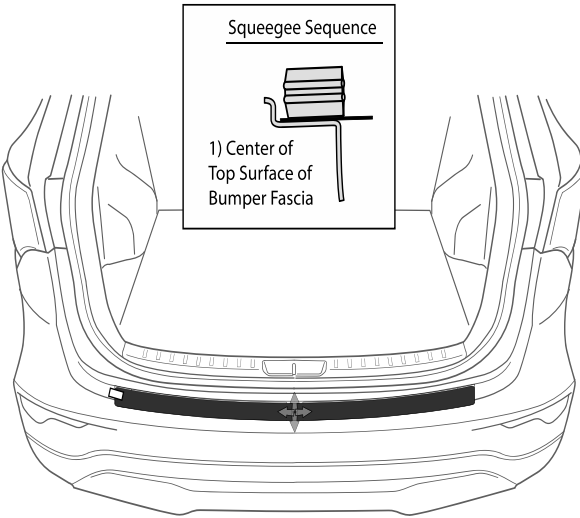
No.	Qty	Description
1	1	Bumper Applique
2	1	Squeegee
3	1	Installation Instructions

# Genuine Accessories

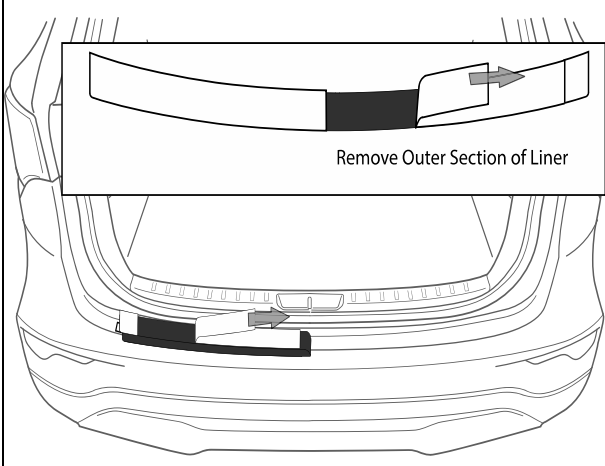
1		50/50 Isopropyl Alcohol (70%) & Water and Microfiber Cloth
		
N O T E	<p>1. Clean installation area.</p>	

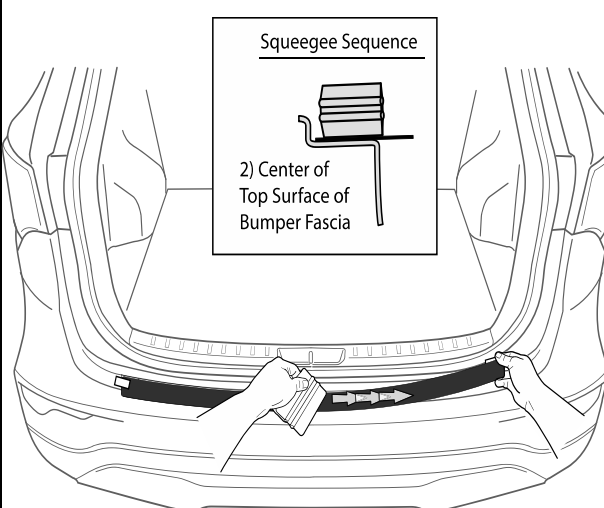
2		Masking Tape
		
N O T E	<p>1. Position Bumper Applique onto bumper aligning the notch to the Hatch Striker and along the forward edge of liner paper to fascia edge. 2. Using masking tape, tape the left edge of Bumper Applique to the bumper to maintain alignment.</p>	

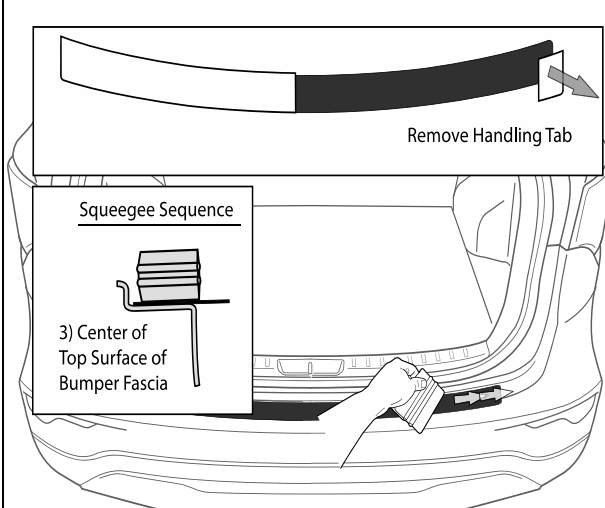
3		
		
N O T E	<p>1. While holding the left side of the bumper applique as shown, carefully remove the center section of the liner paper.</p>	

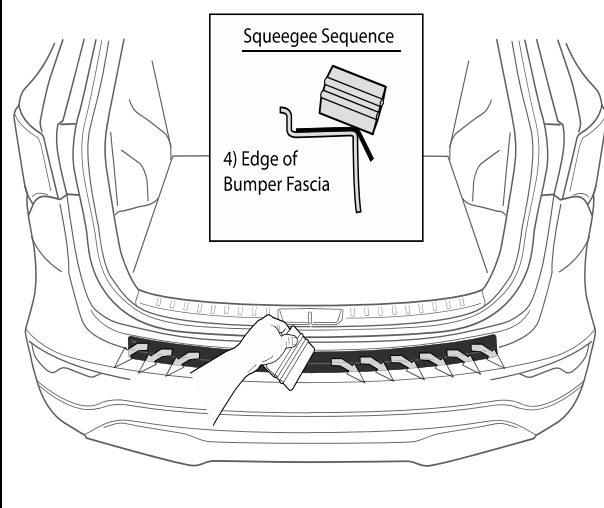
4		Squeegee
		
N O T E	<p>1. Carefully flip the bumper applique back onto the bumper while maintaining alignment. Squeegee the top and center section onto the bumper fascia.</p>	

## Genuine Accessories

5		
 <p style="text-align: center;">Remove Outer Section of Liner</p>		
NOTE	<ol style="list-style-type: none"> <li>1. Flip over the right side of the Bumper Applique, which still has liner paper attached, and remove only that section up to the outer most handling tab. Do not remove the handling tab liner paper.</li> </ol>	

6		Squeegee
		
NOTE	<ol style="list-style-type: none"> <li>1. While holding the handling tab over the bumper as shown, begin to squeegee the top part of the Bumper Applique, using firm overlapping strokes, onto the bumper.</li> <li>2. Keep a constant visual alignment of the Bumper Applique to the fascia edge of the bumper, all the way to the handling tab.</li> </ol>	
	Do not pull on the part too tightly, but do not let it make contact with the bumper until it is squeegeed down. Do not shift the part while squeegeeing.	

7		Squeegee
		
NOTE	<ol style="list-style-type: none"> <li>1. Remove the Handling Tab and squeegee the top edge out to the end of Bumper Applique.</li> <li>2. Repeat steps 5-7 for the opposites side of Bumper Applique.</li> </ol>	
	Do not let the Bumper Applique fold over and make contact with the vertical edge of the bumper fascia during the squeegee procedure.	

8		Squeegee
		
NOTE	<ol style="list-style-type: none"> <li>1. Starting at the center of the Bumper Applique, only squeegee the edges, outwards using firm overlapping strokes, as shown.</li> </ol>	
	Ensure the Bumper Applique does not fold over and make contact with the vertical edge of the bumper fascia. This is critical to avoid trapping air and creating bubbles.	




## Genuine Accessories

9		Squeegee
<div style="border: 1px solid black; padding: 5px; margin: 10px auto; width: 80%;"> <p style="text-align: center; margin: 0;"><u>Squeegee Sequence</u></p> <p style="margin: 5px 0 0 20px;">5) Vertical Face of Bumper Fascia</p> </div>		
N O T E	<ol style="list-style-type: none"> <li>1. Starting at the center of the Bumper Applique, squeegee the vertical face using firm overlapping strokes, to the bumper.</li> <li>2. See the diagram above for the stroke and direction of the squeegee procedure. This is critical to avoid trapping air and creating bubbles.</li> <li>3. Repeat for the opposite side</li> </ol>	

10		
N O T E	<ol style="list-style-type: none"> <li>1. Inspect the Bumper Applique for any damage or incorrect installation. Repair or replace as necessary.</li> </ol>	

## Genuine Accessories

**Visual Check**

Item to be Checked		Result	
	Make sure Bumper Applique is fully adhered.	Bumper Applique is not lifting and is fully adhered. Take special care to make sure all edges are fully adhered.	
	Make sure no air bubbles are trapped under Bumper Applique.	No air bubbles.	
	If an installation error occurs, i.e., scratched / marred Bumper Applique, dirt / debris under Bumper Applique, crooked installation, etc., installer should remove, discard and replace the Bumper Applique.	Bumper Applique is installed correctly.	

## Genuine Accessories

### Care & Cleaning

---

Put this page in the customer's glovebox, for future reference.

Cleaning Instructions for:

Santa Fe

Applique, Bumper

Wash car with soapy water as needed. (Do not use other chemical based cleaners.)