

HYUNDAI Genuine Accessories



Vehicle Model	<u>Sonata</u>	Accessory	<u>Sport Visor</u>
Model Year	<u>2015~</u>	Difficulty	<u>(B)</u>
Part No.	<u>C2022 ADU00</u>		

- Accessory Installation

Note: Difficulty stated above reflects the minimum level of expertise required to install the accessory.

(A) Customer (B) Dealer Technician (C) Master Technician

Instructional Symbols / Definitions

	Denotes warnings that may lead to serious physical injury or vehicle damage.		Denotes quality processes to be checked prior to moving to the next step.	Denotes safety equipment required to be used such as a mask, goggles, rubber gloves, and hearing protection.	
	Denotes cautions to be taken to avoid physical injury or electronic component damage.		Denotes specific tools that are necessary to complete the step.		
	Denotes cautions to be taken to avoid vehicle and component damage.	NOTE	Denotes instructional steps necessary to complete the process.		
				Mask	Goggles
				Rubber Gloves	Hearing Protection

Basic Required Hand Tools

Soap & Water	Ruler	Non-Permanent Marker or Pencil	Lint Free Cloth

FMVSS 110
Compliance
Information

Part Number:
C2022 ADU00

1.5 lbs
0.68 kg
(Gross Weight)

All dealers must determine if the weight they have added in the form of all options or accessories, when added to the weight of all Port/Dealer Installed options or accessories, exceeds the lesser of 1.5% of GVWR or 100 lbs. If the additional weight does exceed the lesser of the indicated thresholds, a "Load Carrying Capacity Reduced" label must be installed. A black, fine-point, indelible marker must be used to write by hand onto the label, the reduced carrying capacity in kilograms or pounds, which is the total weight of all added options and accessories. Load Label Part Number:

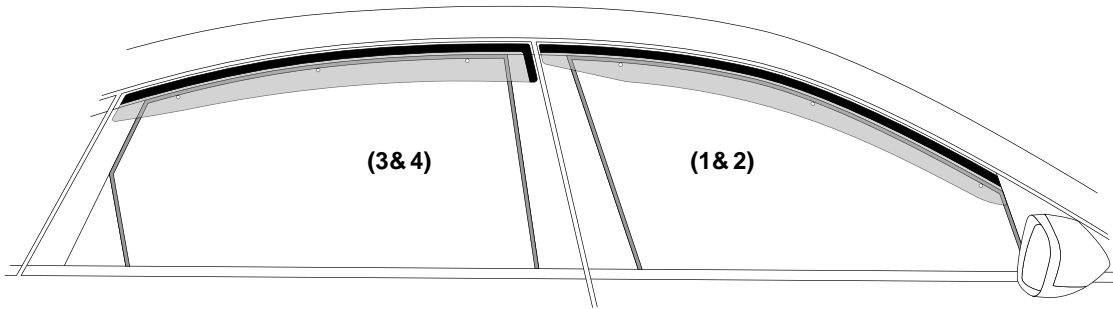
NP070 - 09003

Notes to the Installer:

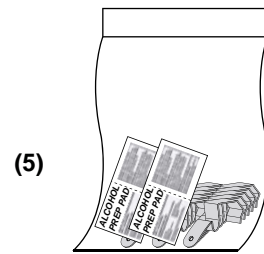
- 1) Read the entire installation instruction prior to beginning the installation of this accessory.
- 2) Adhesives used in this product are sensitive to temperature during installation, only install this product to the vehicle if the temperature is between 60° - 80°F \ 15° - 27°C. Installing the parts to the vehicle outside of this temperature may lead to a reduced level of performance.
- 3) Installation of all parts should not occur in direct sunlight or if the vehicle has been parked in direct sunlight and is hot as a result. Both the parts and the vehicle should be at the same temperature 60° - 80°F \ 15° - 27°C during the installation to ensure maximum adhesion.
- 4) Make sure the vehicle is completely clean before the accessory is installed.
- 5) Ensure the vehicle is properly protected in the area(s) that the accessory is to be installed.
- 6) To prevent vehicle damage, never place tools on top of painted surfaces, seats, dash pad, console or floor carpets/mats.
- 7) Always wear appropriate safety gear to include gloves and safety glasses when required.
- 8) Use of Sport Visors may result in some wind noise heard.
- 9) Do not wash the vehicle for 48 hours after installation.
- 10) Do not drive the vehicle for 1 hour after installation.

HYUNDAI Genuine Accessories

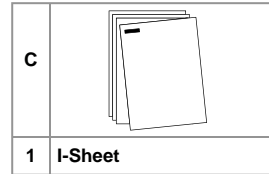
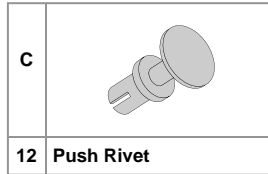
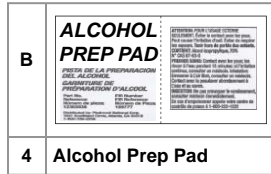
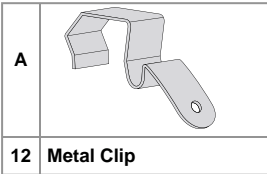
Kit Overview:



No.	Qty.	Description
1	1	FRONT RH SPORT VISOR
2	1	FRONT LH SPORT VISOR
3	1	REAR RH SPORT VISOR
4	1	REAR LH SPORT VISOR
5	1	Hardware Kit

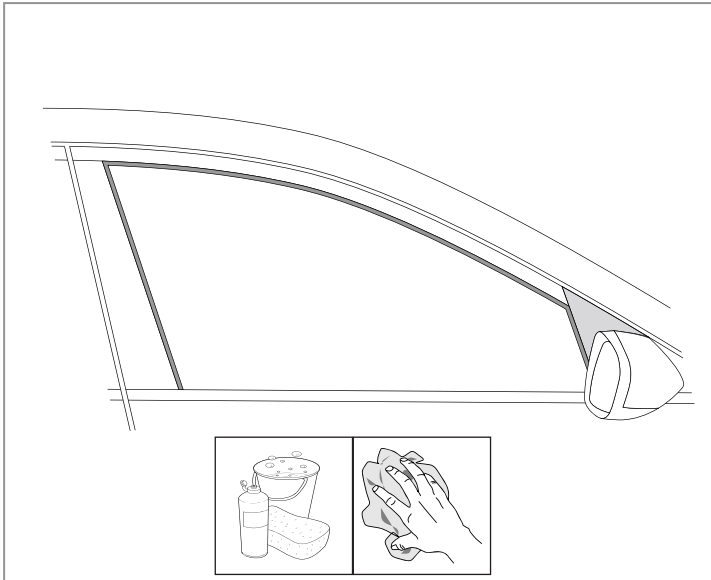


Hardware Overview:

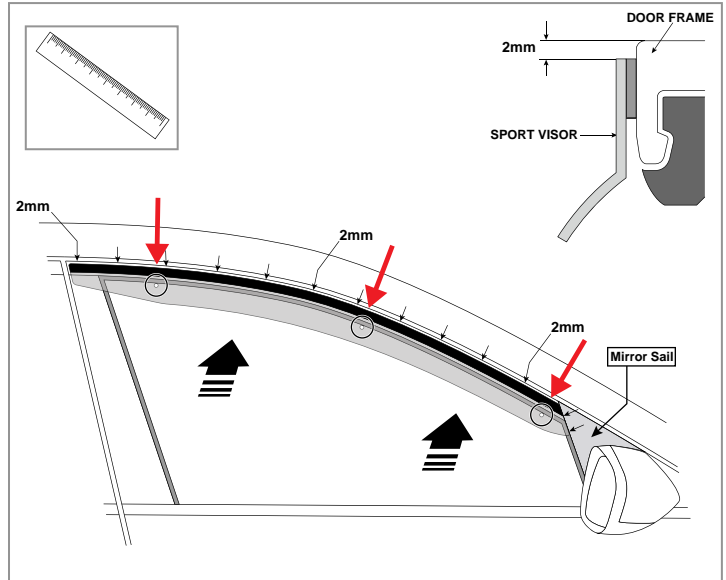


Hardware Total
29

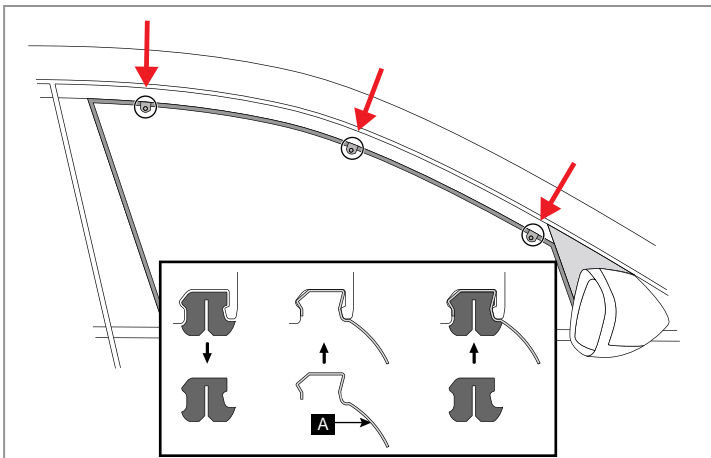
HYUNDAI Genuine Accessories



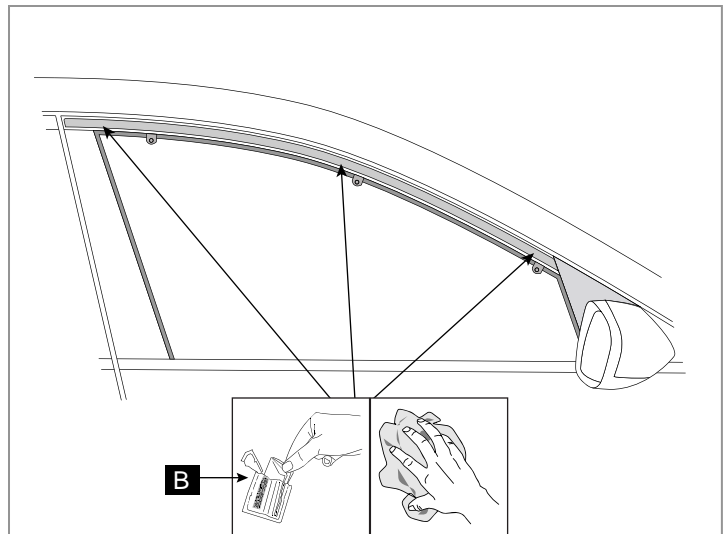
	Soap and Water and Lint Free Cloth	1
NOTE	<ol style="list-style-type: none"> Using Soap and Water, thoroughly clean the Front RH upper door frame and surrounding areas. Wipe away any residue with a Lint Free Cloth as shown. Lower the window. 	
	Make sure all surfaces are completely dry before trial fitting the Sport Visor.	



	Non-Permanent Marker or Pencil and Ruler	2
NOTE	<ol style="list-style-type: none"> Remove the protective film from the Sport Visor. Trial fit the Front RH Sport Visor onto the door frame. Using a Ruler, align the top edge of the Sport Visor 2mm down from the top of the door edge, while locating the front edge of the Sport Visor to the inside edge of the Mirror Sail. Using a Non-Permanent Marker or Pencil, mark the location of the three (3) holes in the Sport Visor and where they correspond to the door frame, as shown. 	
	Make sure all surfaces are completely dry before proceeding to the next step.	

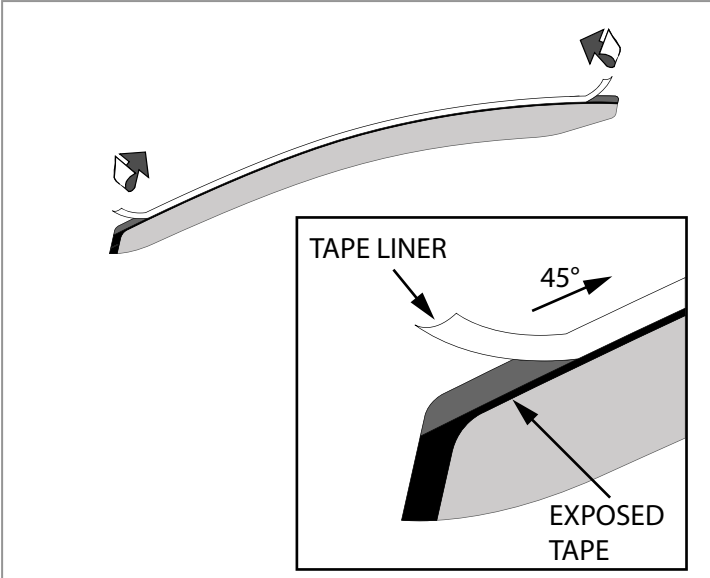


		3
NOTE	<ol style="list-style-type: none"> From the center of the upper door frame, separate the rubber window seal from the door frame. Do not remove the rubber window seal from the front or rear corners of the upper door frame. Place one (1) metal clip "A" into the door frame and slide into the Front Position between the rubber window seal and the door frame. Place one (1) metal clip "A" into the door frame and slide into the Rear Position between the rubber window seal and the door frame. Place one (1) metal clip "A" into the Center Position between the rubber window seal and the door frame. Reinstall the rubber window seal into the door frame. Ensure that the rubber window seal is correctly seated. 	
	Ensure the rubber window seal is correctly seated. Be careful not to damage the rubber window seal.	

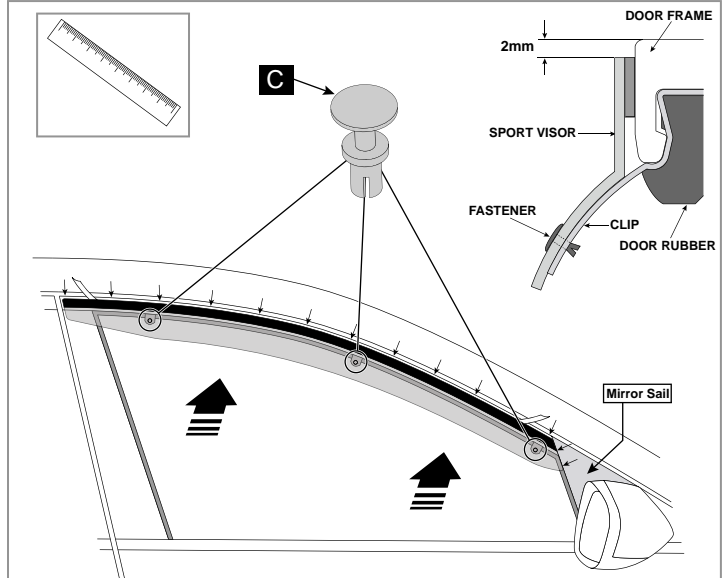


	Lint Free Cloth	4
NOTE	<ol style="list-style-type: none"> Using one (1) provided alcohol prep pad "B", thoroughly clean the tape attachment areas. Wipe away any residue with a Lint Free Cloth as shown. 	
	Do not touch the areas that have been cleaned. Do not install if the door frame is wet or outside the temperature range indicated on page 1.	

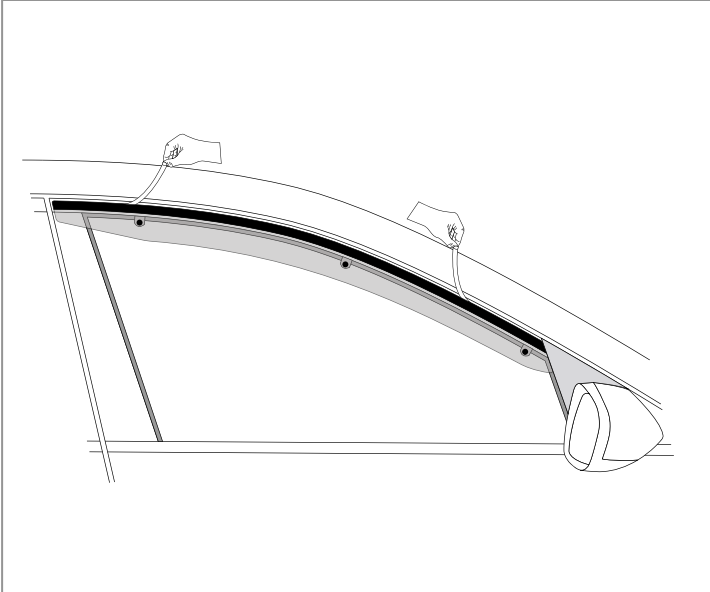
HYUNDAI Genuine Accessories



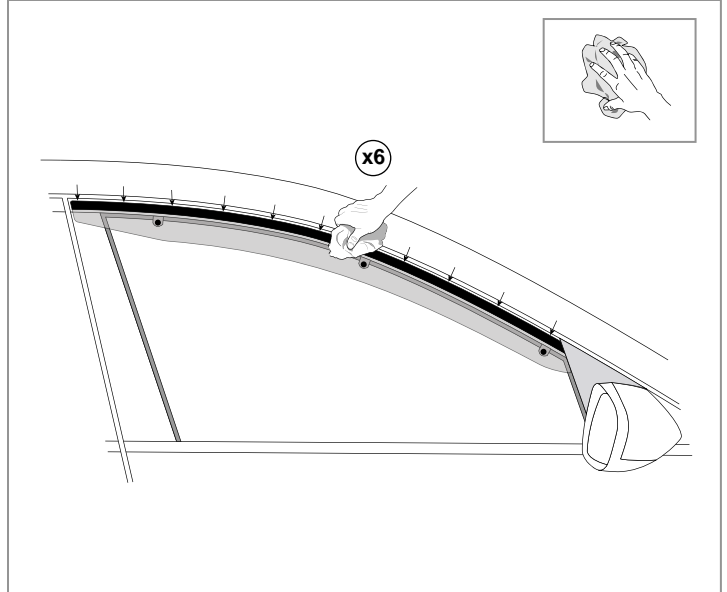
5	
NOTE	1. Peel back approximately 50mm (2") of the tape liner at each end and fold at 45° to the outside of the Sport Visor as shown.
	Do not touch the exposed tape with hands, allow to get dirty or leave exposed for an extended period of time.



6	Ruler
NOTE	<ol style="list-style-type: none"> Using a Ruler, align the top edge of the Sport Visor 2mm down from the top of the door edge while locating the front edge of the Sport Visor to the inside edge of the Mirror Sail. Ensure the tape liners in step 5 are exposed. Install three (3) push rivets "C" through the Sport Visor into the three (3) metal clips, by pressing down on the center of the push rivet "C".
	Apply only light pressure to the front and rear corners of the Sport Visor during the installation of the push rivets.

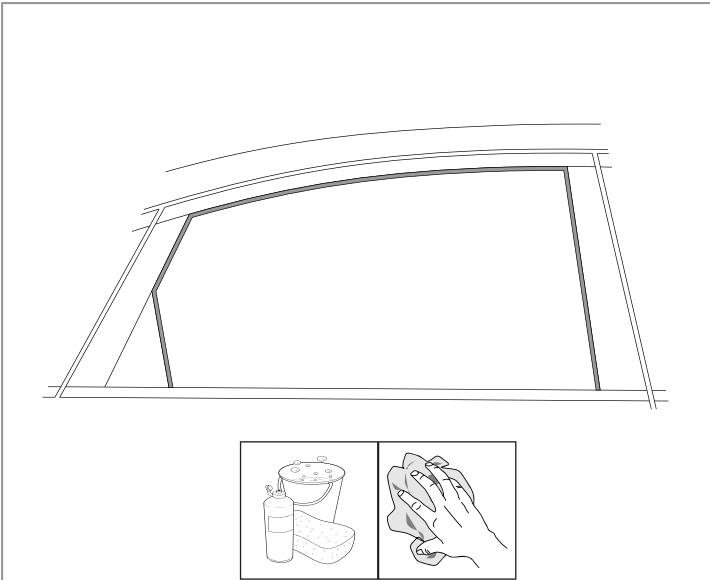


7	
NOTE	1. Fully remove and discard the tape liner by pulling from both ends.
	Be careful not to tear the tape liner as it is removed.

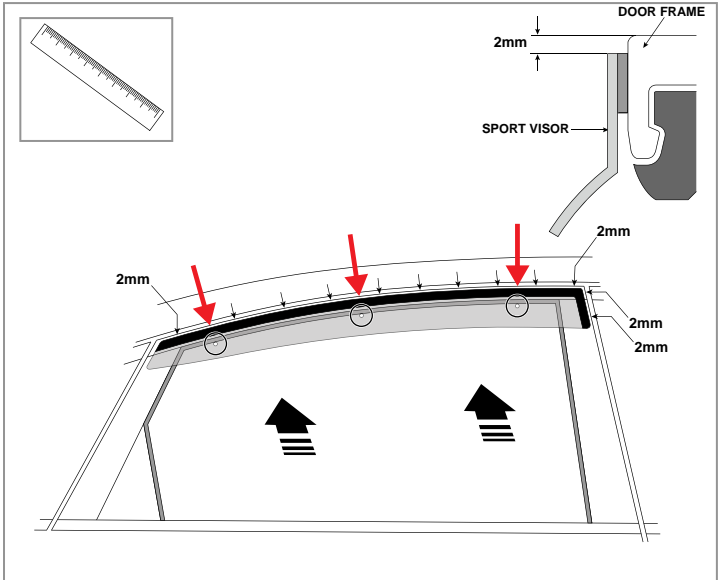


8	Lint Free Cloth
NOTE	<ol style="list-style-type: none"> Using a Lint Free Cloth, apply firm downward pressure to the entire tape flange six (6) times to promote maximum adhesion of the Sport Visor to the door frame. Repeat steps 1-8 for Front Left Hand Side. Remove "L" and "R" labels from both front Sports Visors.
	It is critical that the part is correctly pressed down and the clips are properly fitted to ensure the function of the part.

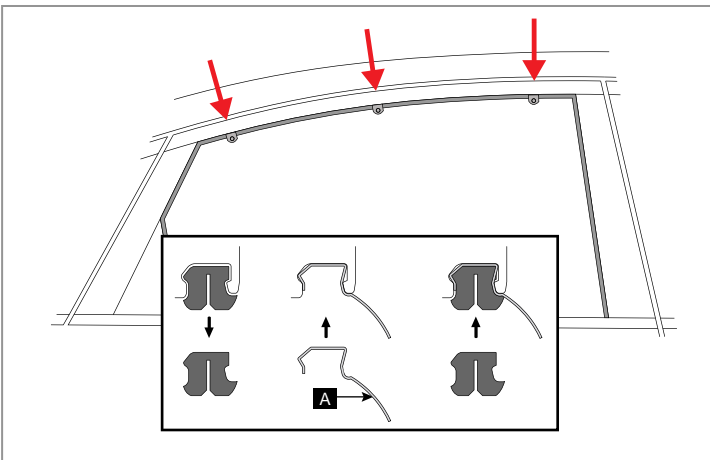
HYUNDAI Genuine Accessories



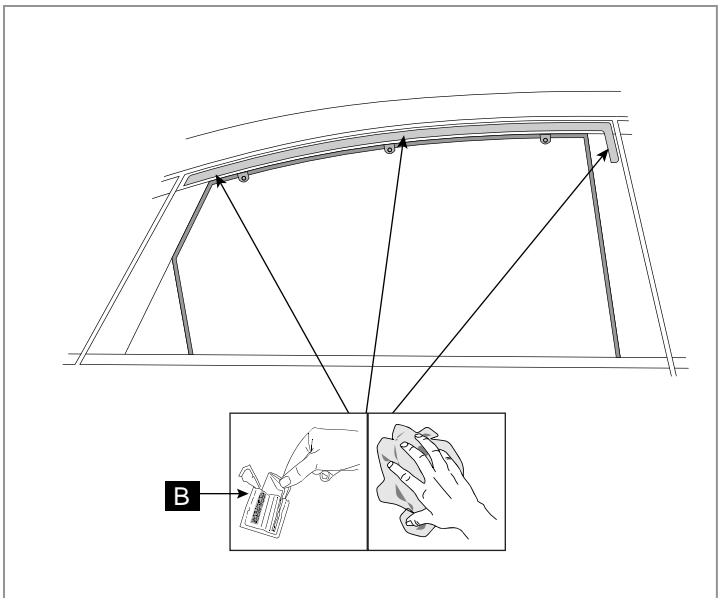
	Soap and Water and Lint Free Cloth	9
NOTE	<ol style="list-style-type: none"> Using Soap and Water, thoroughly clean the Rear RH upper door frame and surrounding areas. Wipe away any residue with a Lint Free Cloth as shown. Lower the window. 	
	Make sure all surfaces are completely dry before trial fitting the Sport Visor.	



	Non-Permanent Marker or Pencil and Ruler	10
NOTE	<ol style="list-style-type: none"> Remove the protective film from the Sport Visor. Trial fit the Rear RH Sport Visor onto the door frame. Using a Ruler, align the top edge of the Sport Visor 2mm down from the top of the door edge, while locating the front edge of the Sport Visor 2mm back from the door edge. Using a Non-Permanent Marker or Pencil, mark the location of the three (3) holes in the Sport Visor and where they correspond to the door frame, as shown. 	
	Make sure all surfaces are completely dry before proceeding to the next step.	

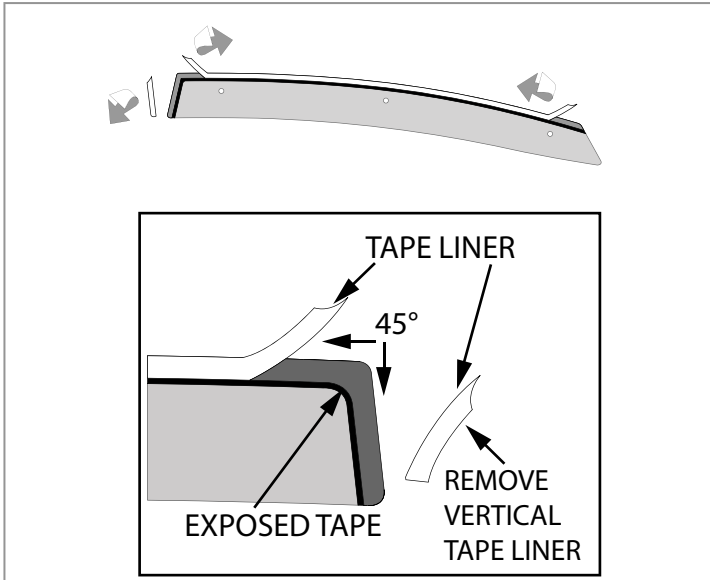


		11
NOTE	<ol style="list-style-type: none"> From the center of the upper door frame, separate the rubber window seal from the door frame. Do not remove the rubber window seal from the front or rear corners of the upper door frame. Place one (1) metal clip "A" into the door frame and slide into the Front Position between the rubber window seal and the door frame. Place one (1) metal clip "A" into the door frame and slide into the Rear Position between the rubber window seal and the door frame. Place one (1) metal clip "A" into the Center Position between the rubber window seal and the door frame. Reinstall the rubber window seal into the door frame. Ensure that the rubber window seal is correctly seated. 	
	Ensure the rubber window seal is correctly seated. Be careful not to damage the rubber window seal.	

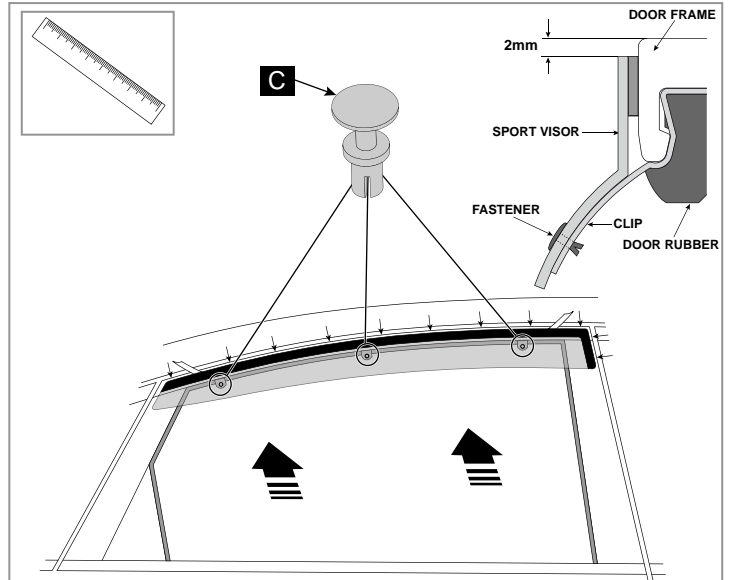


	Lint Free Cloth	12
NOTE	<ol style="list-style-type: none"> Using one (1) provided alcohol prep pad "B", thoroughly clean the tape attachment areas. Wipe away any residue with a Lint Free Cloth as shown. 	
	Do not touch the areas that have been cleaned. Do not install if the door frame is wet or outside the temperature range indicated on page 1.	

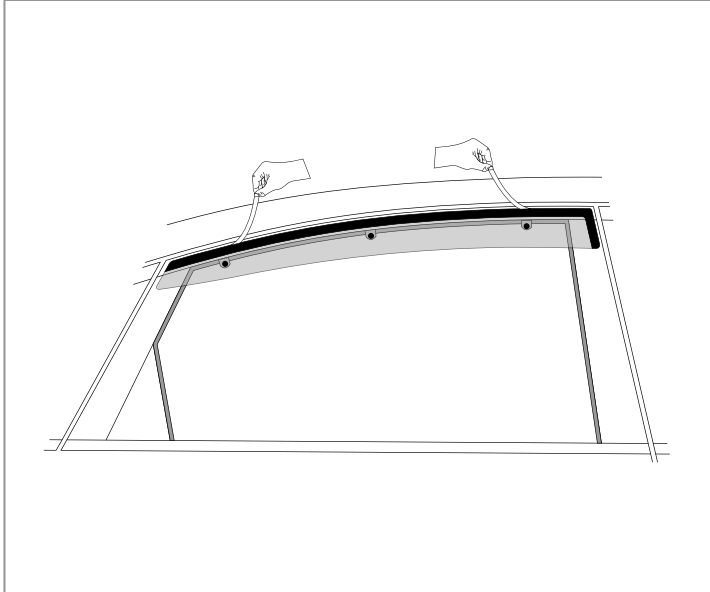
HYUNDAI Genuine Accessories



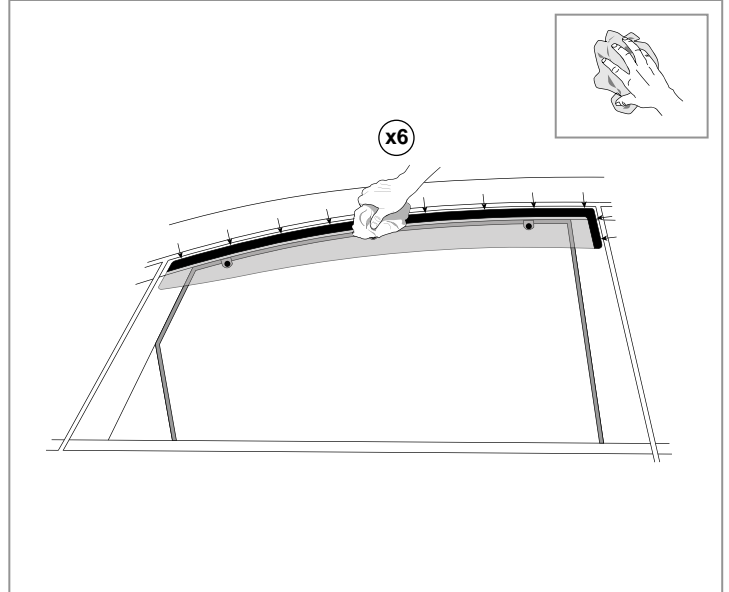
13	
NOTE	<ol style="list-style-type: none"> 1. Peel back approximately 50mm (2") of the tape liner at each end and fold at 45° to the outside of the Sport Visor as shown. 2. Fully remove the small vertical tape liner.
	Do not touch the exposed tape with hands, allow to get dirty or leave exposed for an extended period of time.



14	
NOTE	<p>Ruler</p> <ol style="list-style-type: none"> 1. Using a Ruler, align the top edge of the Sport Visor 2mm down from the top of the door edge while locating the front edge of the Sport Visor 2mm back from the door edge. 2. Ensure the tape liners in step 13 are exposed. 3. Install three (3) push rivets "C" through the Sport Visor into the three (3) metal clips, by pressing down on the center of the push rivet "C".
	Apply only light pressure to the front and rear corners of the Sport Visor during the installation of the push rivets.







15	
NOTE	<ol style="list-style-type: none"> 1. Fully remove and discard the tape liner by pulling from both ends.
	Be careful not to tear the tape liner as it is removed.



16	
NOTE	<p>Lint Free Cloth</p> <ol style="list-style-type: none"> 1. Using a Lint Free Cloth, apply firm downward pressure to the entire tape flange six (6) times to promote maximum adhesion of the Sport visor to the door frame. 2. Repeat steps 9-16 for Rear Left Hand Side. 3. Remove "L" and "R" labels from both Rear Sports Visors.
	It is critical that the part is correctly pressed down to ensure the function of the part.

HYUNDAI Genuine Accessories

Visual Check

Items To Be Checked	Results of the Check
 Peel 50mm of the tape liner to a 45° angle, make sure you do not touch the exposed surface of tape. (Step 5 & 13)	The exposed tape must be kept free of any dust, fingerprints, grease or any other contaminant that will reduce the tapes adhesive properties.
 Check position of the Sport Visor to make sure that it is positioned correctly. (Step 6 & 14)	Correct fitment.
 Firmly rub down the Sport Visor for maximum adhesion, 5-6 times with a Lint Free Cloth. (Step 8 & 16)	Correct fitment.
 Remove all "L" and "R" labels from Sports Visors. (step 8 & 16)	

HYUNDAI Genuine Accessories

Care Instructions

Conduct final inspection, ensuring all clips and push rivets are correctly installed and fully engaged.
Close doors and check clearances at all edges for any interference.

Cleaning Instructions

Spray with a firm water spray to remove any loose dirt, then wash with water, detergent and a soft cloth or sponge.
DO NOT use petroleum based solvents or abrasives.

Retain these instructions in your glovebox for future reference.