

Genuine Accessories



- Accessory Installation

Vehicle Model Tucson
 Model Year 2016~
 Part No. D3022 ADU00

Accessory Door Visor
 Difficulty (B)

Note: Difficulty stated above reflects the minimum level of expertise required to install the accessory.

(A) Customer (B) Dealer Technician (C) Master Technician

Instructional Symbols / Definitions

	Denotes warnings that may lead to serious physical injury or vehicle damage.		Denotes quality processes to be checked prior to moving to the next step.	Denotes safety equipment required to be used such as a mask, goggles, rubber gloves, and hearing protection.	
	Denotes cautions to be taken to avoid physical injury or electronic component damage.		Denotes specific tools that are necessary to complete the step.		
	Denotes cautions to be taken to avoid vehicle and component damage.		Denotes instructional steps necessary to complete the process.		
				Mask	Goggles
				Rubber Gloves	Hearing Protection

Basic Required Hand Tools

Soap & Water	Ruler	Non-Permanent Marker or Pencil	Lint Free Cloth

FMVSS 110 Compliance Information

1.60 lbs
 0.73 kg
 (Gross Weight)

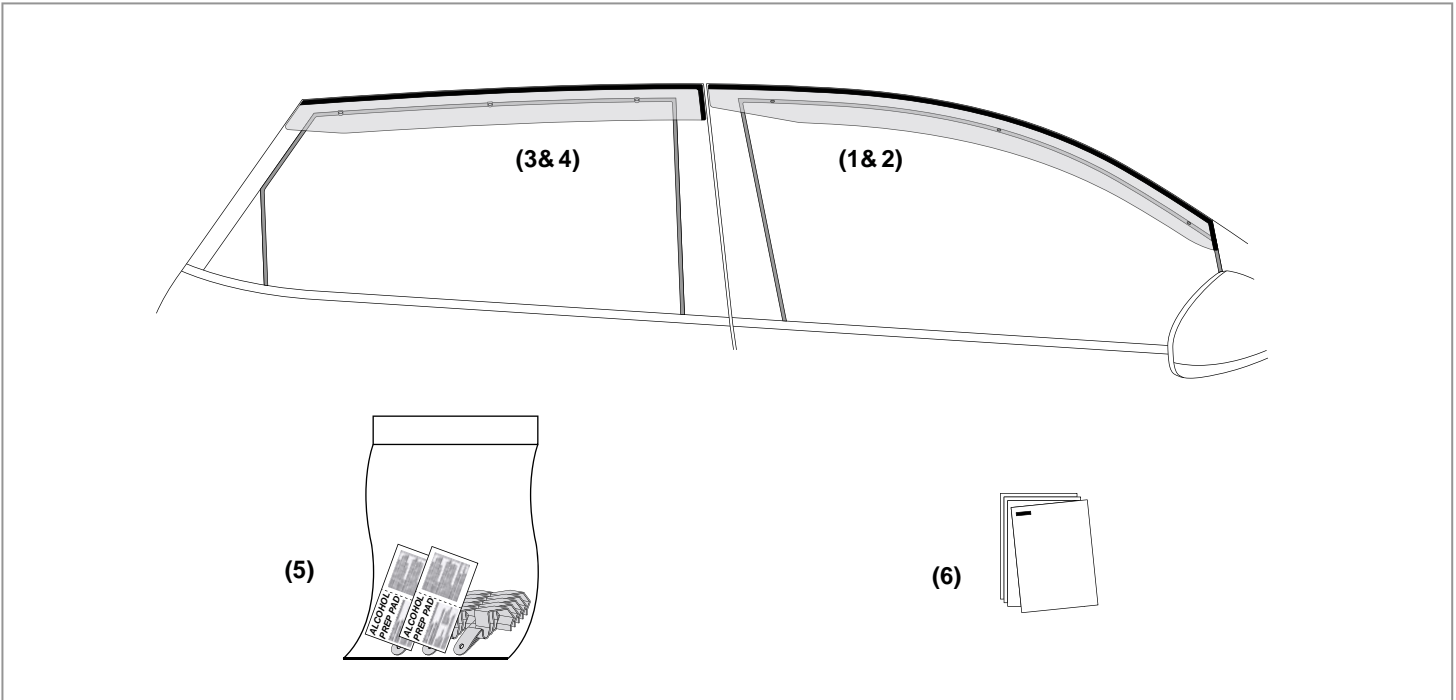
All dealers must determine if the weight they have added in the form of all options or accessories, when added to the weight of all Port/Dealer Installed options or accessories, exceeds the lesser of 1.5% of GVWR or 100 lbs. If the additional weight does exceed the lesser of the indicated thresholds, a "Load Carrying Capacity Reduced" label must be installed. A black, fine-point, indelible marker must be used to write by hand onto the label, the reduced carrying capacity in kilograms or pounds, which is the total weight of all added options and accessories. Load Label Part Number: NP070 - 09003

Notes to the Installer:

- 1) Read the entire installation instruction prior to beginning the installation of this accessory.
- 2) Adhesives used in this product are sensitive to temperature during installation, only install this product to the vehicle if the temperature is between 60° - 80°F \ 15° - 27°C. Installing the parts to the vehicle outside of this temperature may lead to a reduced level of performance.
- 3) Installation of all parts should not occur in direct sunlight or if the vehicle has been parked in direct sunlight and is hot as a result. Both the parts and the vehicle should be at the same temperature 60° - 80°F \ 15° - 27°C during the installation to ensure maximum adhesion.
- 4) Make sure the vehicle is completely clean before the accessory is installed.
- 5) Ensure the vehicle is properly protected in the area(s) that the accessory is to be installed.
- 6) To prevent vehicle damage, never place tools on top of painted surfaces, seats, dash pad, console or floor carpets/mats.
- 7) Always wear appropriate safety gear to include gloves and safety glasses when required.
- 8) Use of Door Visors may result in some wind noise heard.
- 9) Do not wash the vehicle for 48 hours after installation.
- 10) Do not drive the vehicle for 1 hour after installation.

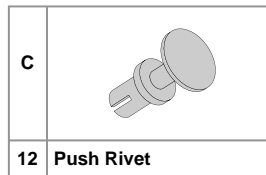
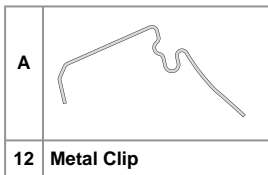
Genuine Accessories

Kit Overview:



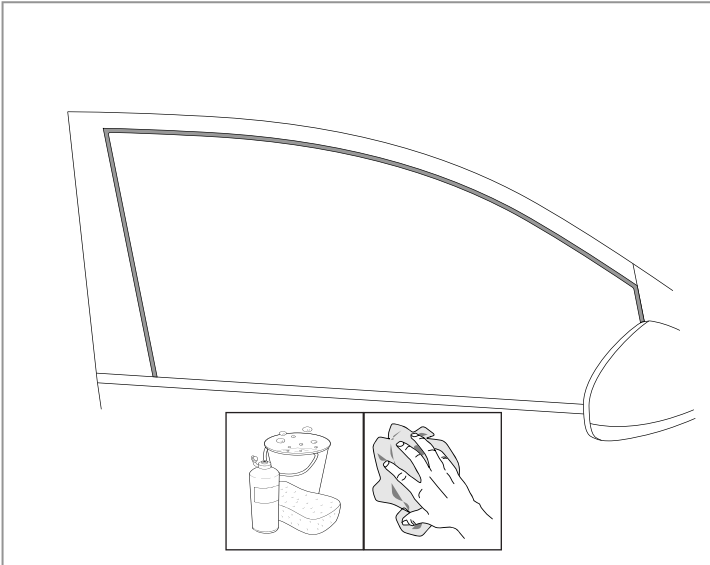
No.	Qty.	Description
1	1	FRONT RH Door Visor
2	1	FRONT LH Door Visor
3	1	REAR RH Door Visor
4	1	REAR LH Door Visor
5	1	Hardware Kit
6	1	Installation Instructions

Hardware Overview:

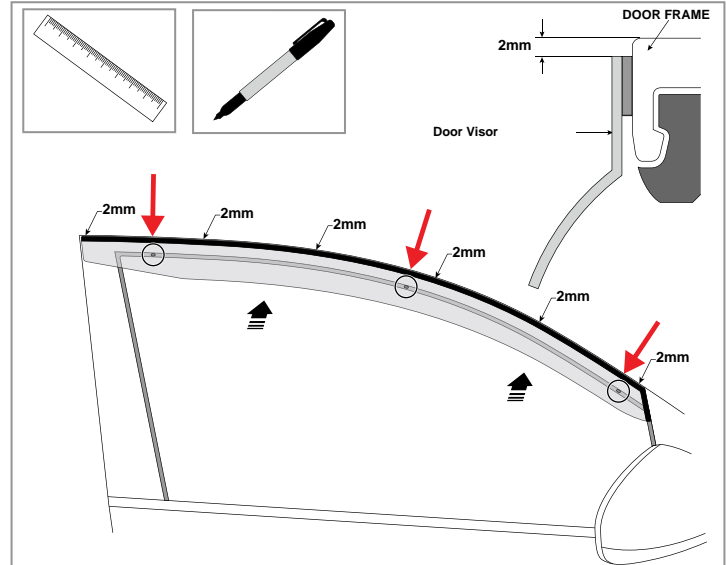


Hardware Total
28

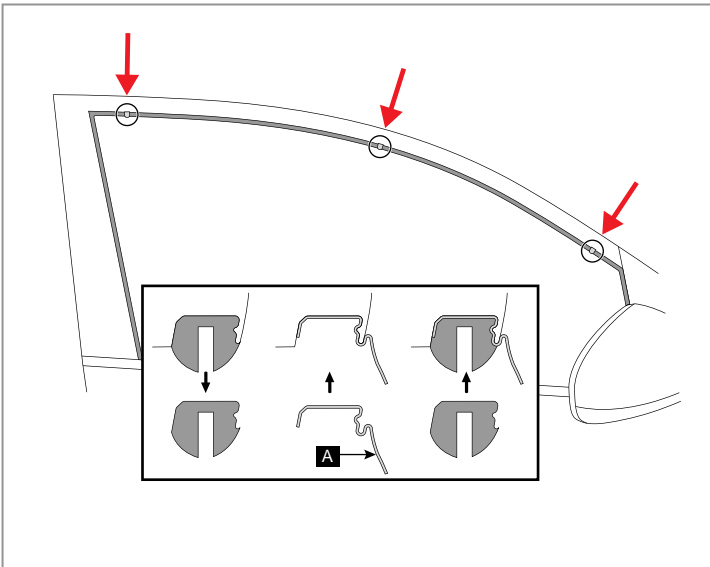
Genuine Accessories



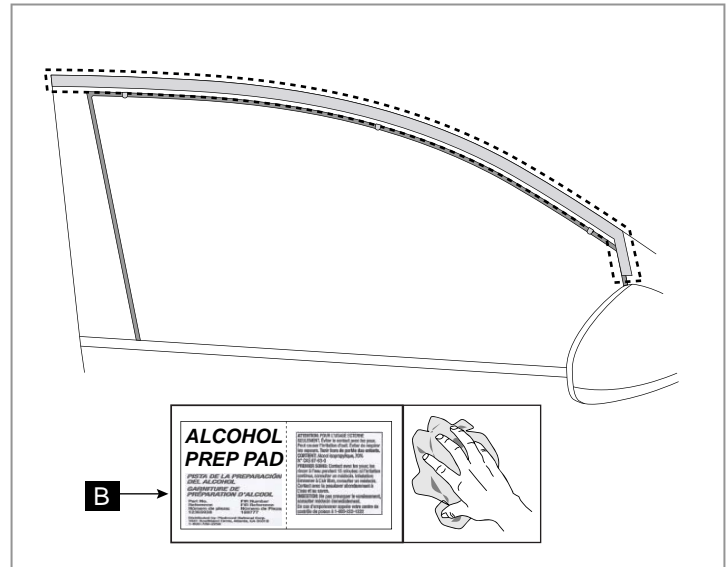
	Soap & Water and Lint Free Cloth	1
NOTE	<ol style="list-style-type: none"> 1. Thoroughly clean the front RH upper door frame and surrounding areas. 2. Wipe away any residue and allow to completely dry. 3. Lower the window. 	
	Make sure all surfaces are completely dry before trial fitting the Front RH Door Visor.	



	Non-Permanent Marker or Pencil and Ruler	2
NOTE	<ol style="list-style-type: none"> 1. Remove the protective film from the Front RH Door Visor. 2. Trial fit the Front RH Door Visor onto the door frame. Align the front edge of the Door Visor to rest against the door mirror sill, while aligning the top edge of the Door Visor 2mm below the top of the door edge. 3. Mark the location of the three (3) holes in the Door Visor and where they correspond to the door frame, as shown. 	
	Make sure all surfaces are completely dry before proceeding to the next step.	

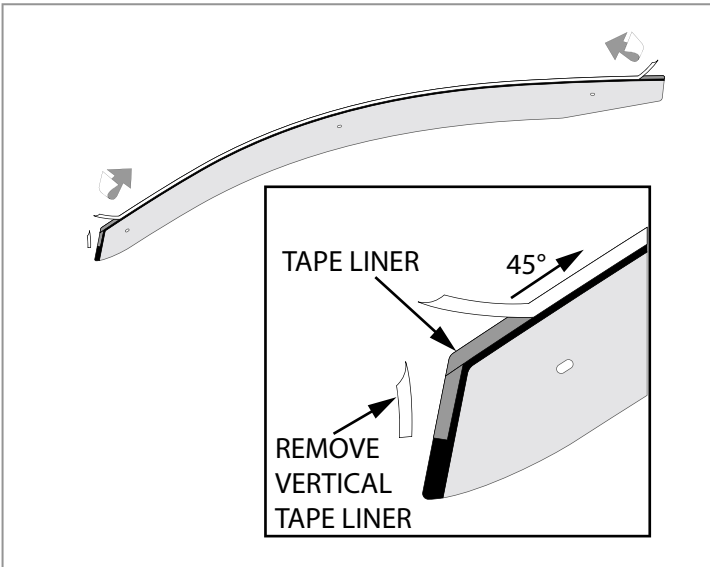


		3
NOTE	<ol style="list-style-type: none"> 1. Starting at the center, dislodge the rubber window seal from the door frame. Do not remove the rubber window seal from the front or rear corners of the door frame. 2. Install one (1) Metal Clip "A" between the door frame and the rubber window seal at the front marked position. 3. Install one (1) Metal Clip "A" at the rear marked position. 4. Install one (1) Metal Clip "A" at the center marked position. 5. Reinstall the rubber window seal into the door frame. Ensure that the seal is fully seated. 	
	Ensure the rubber window seal is correctly seated. Be careful not to damage the rubber window seal.	

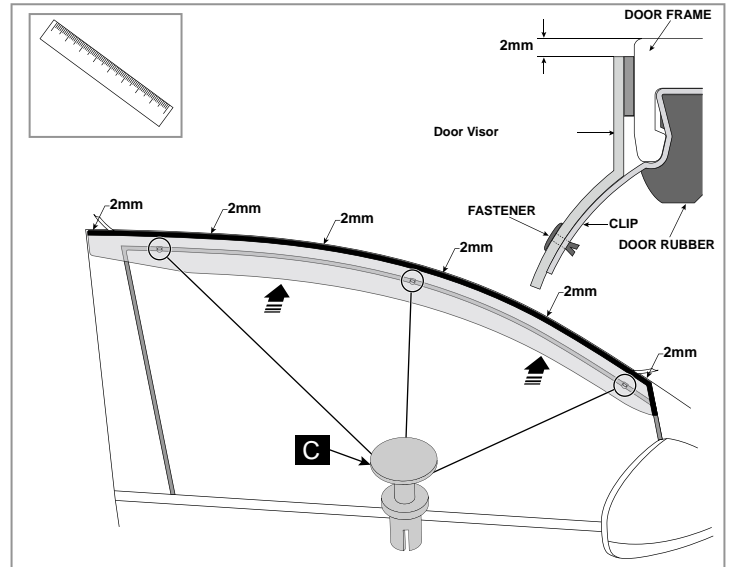


	Lint Free Cloth	4
NOTE	<ol style="list-style-type: none"> 1. Using one (1) provided Alcohol Prep Pad, thoroughly clean the entire tape attachment area as shown. <ul style="list-style-type: none"> - Make sure to remove any marks from the Non-Permanent Marker or Pencil. 2. Wipe away any residue. 	
	Do not touch the areas that have been cleaned. Do not install if the door frame is wet or outside the temperature range indicated on page 1.	

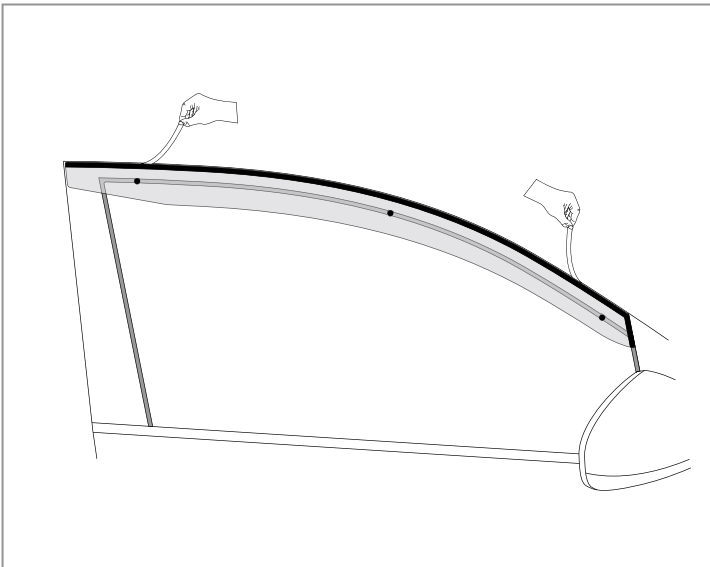
Genuine Accessories



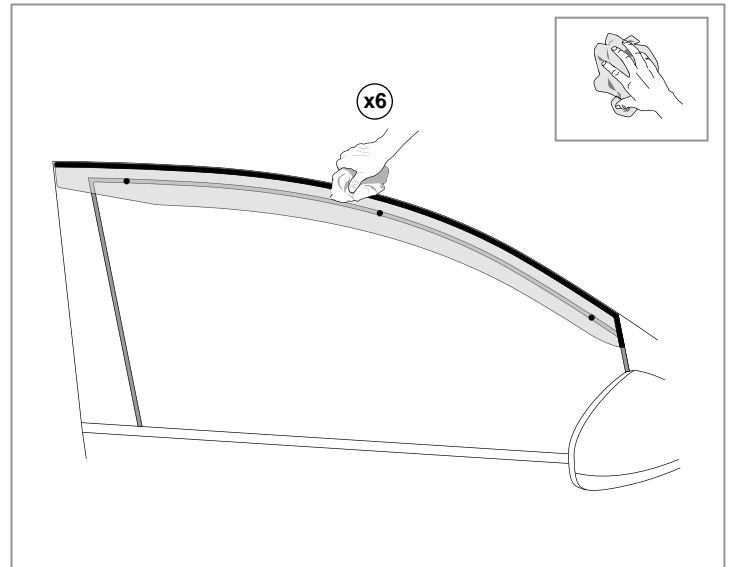
🔑	5
NOTE	<ol style="list-style-type: none"> 1. Peel back approximately 50mm (2") of the tape liner at each end, then fold at 45° to the outside of the Door Visor as shown. 2. Fully remove the vertical tape liner.
✔	Do not touch the exposed tape with hands, allow to get dirty or leave exposed for an extended period of time.



🔑	Ruler	6
NOTE	<ol style="list-style-type: none"> 1. Align the front edge of the Door Visor to rest against the door mirror sill, while aligning the top edge of the Door Visor 2mm below the top of the door edge. 2. Ensure the tape liners are exposed (refer to step 5). 3. Install three (3) Push Rivets "C" through the Door Visor into the three (3) Metal Clips. Press down on the center of each Push Rivet to engage. 	
⚠	Apply only light pressure to the front and rear corners of the Door Visor when installing the Push Rivets.	

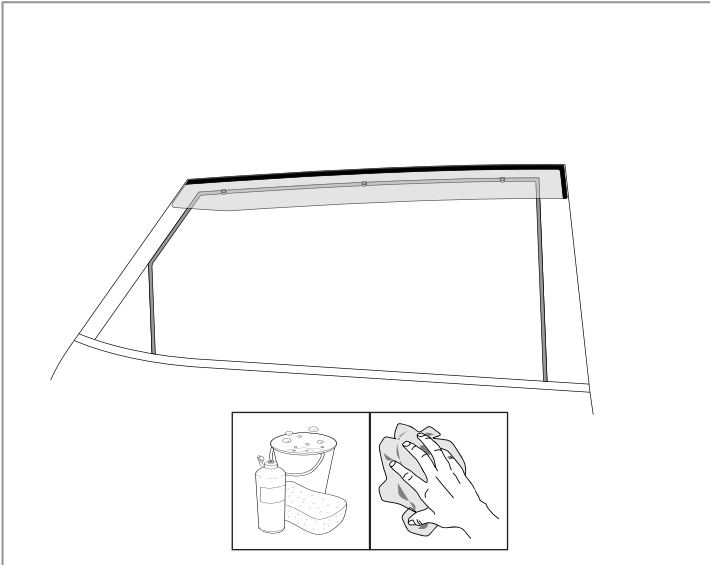


🔑	7
NOTE	<ol style="list-style-type: none"> 1. Fully remove and discard the tape liner by pulling from both ends as shown.
✔	Be careful not to tear the tape liner during removal.

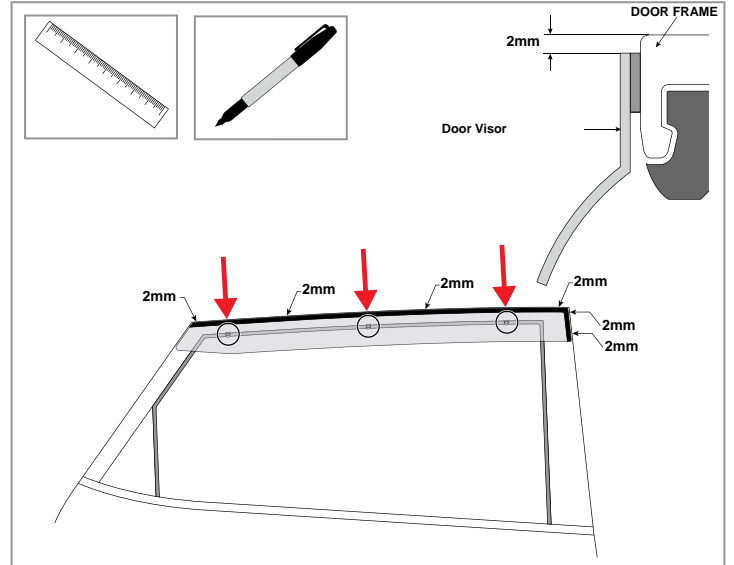


🔑	Lint Free Cloth	8
NOTE	<ol style="list-style-type: none"> 1. Using a Lint Free Cloth, apply firm downward pressure to the entire tape flange six (6) times to promote maximum adhesion of the Door Visor to the door frame. 2. Repeat steps 1 - 8 for the Front LH Door Visor. 	
✔	It is critical that the part is correctly pressed down and the Metal Clips are properly fitted to ensure the function of the part.	

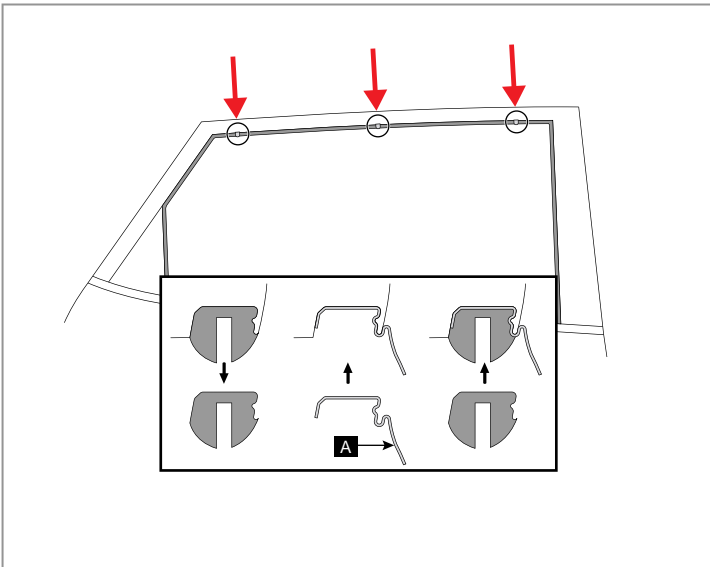
Genuine Accessories



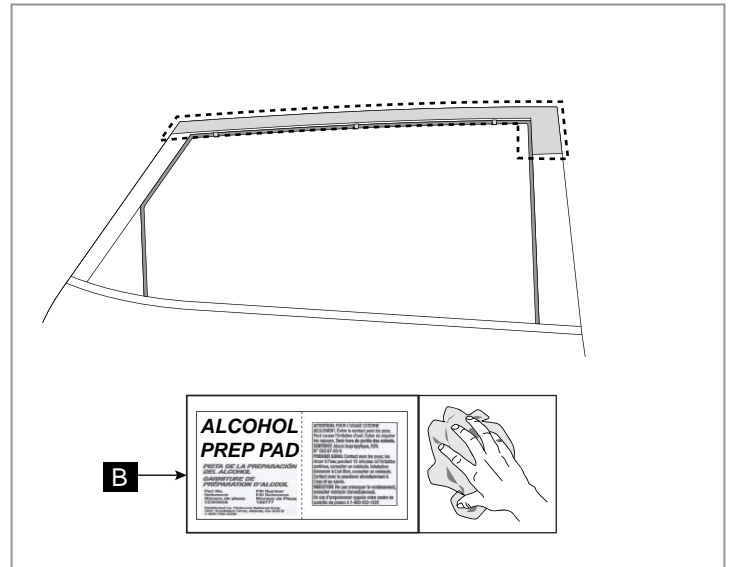
🔑	Soap & Water and Lint Free Cloth	9
NOTE	<ol style="list-style-type: none"> 1. Thoroughly clean the rear RH upper door frame and surrounding areas. 2. Wipe away any residue and allow to completely dry. 3. Lower the window. 	
✔	Make sure all surfaces are completely dry before trial fitting the Rear RH Door Visor.	



🔑	Non-Permanent Marker or Pencil and Ruler	10
NOTE	<ol style="list-style-type: none"> 1. Remove the protective film from the Rear RH Door Visor. 2. Trial fit the Rear RH Door Visor onto the door frame. Align the top edge of the Door Visor 2mm below the top of the door edge, while locating the front edge of the Door Visor 2mm back from the front edge of the door frame. 3. Mark the location of the three (3) holes in the Door Visor and where they correspond to the door frame, as shown. 	
✔	Make sure all surfaces are completely dry before proceeding to the next step.	

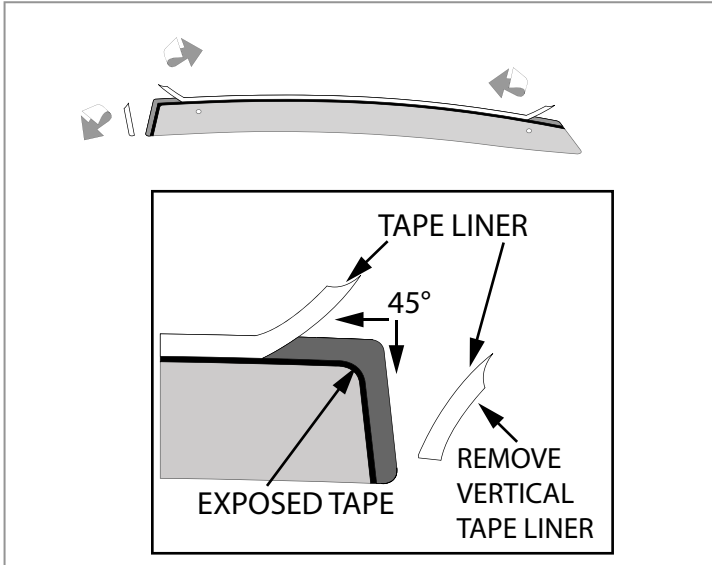


🔑		11
NOTE	<ol style="list-style-type: none"> 1. Starting at the center, dislodge the rubber window seal from the door frame. Do not remove the rubber window seal from the front or rear corners of the door frame. 2. Install one (1) Metal Clip between the door frame and the rubber window seal at the front marked position. 3. Install one (1) Metal Clip at the rear marked position. 4. Install one (1) Metal Clip at the center marked position. 5. Reinstall the rubber window seal into the door frame. Ensure that the seal is fully seated. 	
✔	Ensure the rubber window seal is correctly seated. Be careful not to damage the rubber window seal.	

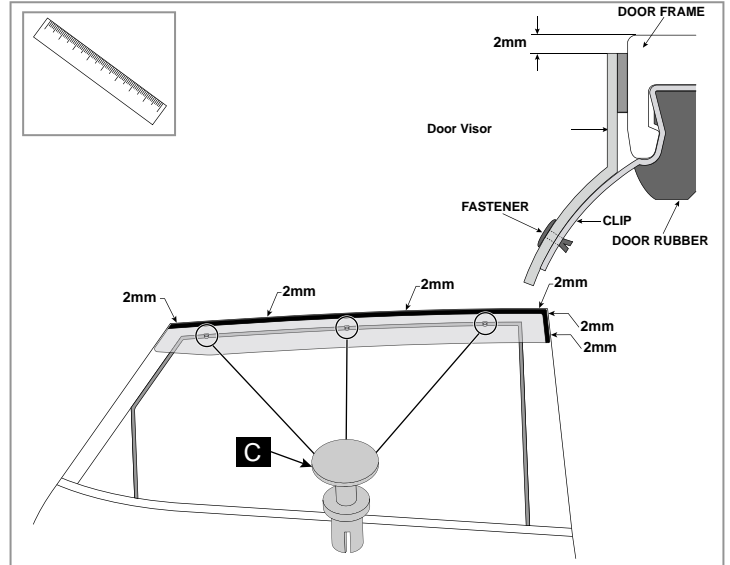


🔑	Lint Free Cloth	12
NOTE	<ol style="list-style-type: none"> 1. Using one (1) provided Alcohol Prep Pad, thoroughly clean the entire tape attachment area as shown. - Make sure to remove any marks from the Non-Permanent Marker or Pencil. 2. Wipe away any residue. 	
✔	Do not touch the areas that have been cleaned. Do not install if the door frame is wet or outside the temperature range indicated on page 1.	

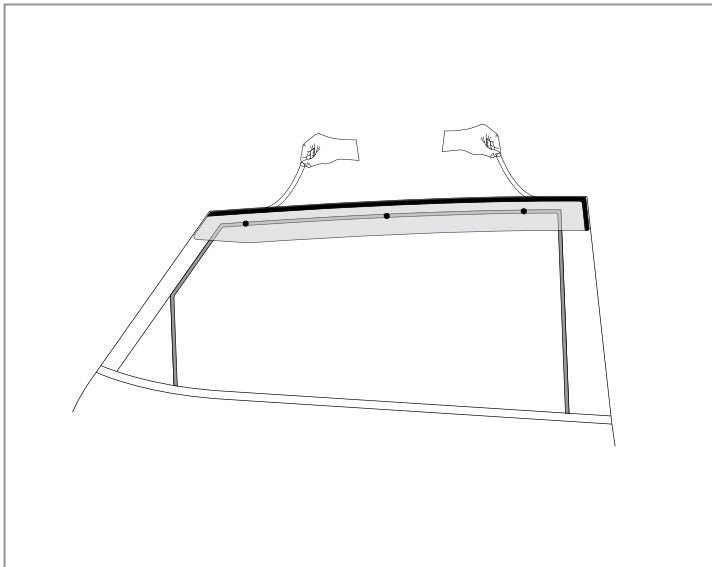
Genuine Accessories



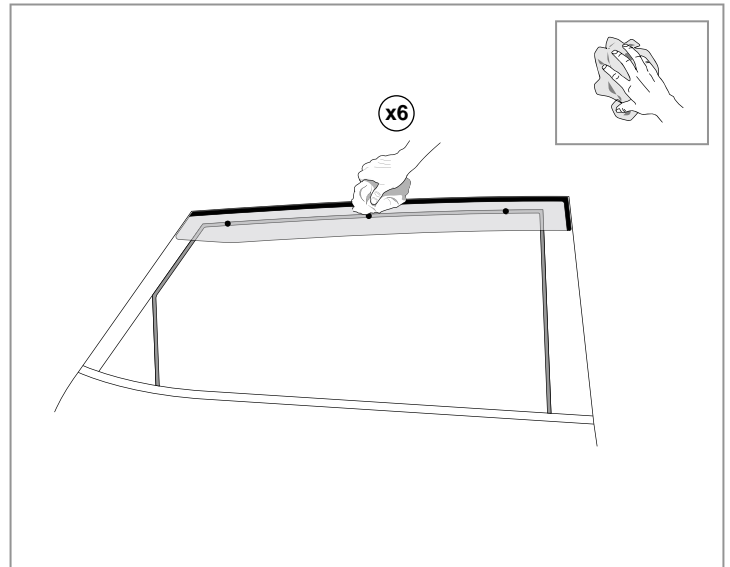
🔑	13
NOTE	<ol style="list-style-type: none"> 1. Peel back approximately 50mm (2") of the tape liner at each end, then fold at 45° to the outside of the Door Visor as shown. 2. Fully remove the vertical tape liner.
✔	Do not touch the exposed tape with hands, allow to get dirty or leave exposed for an extended period of time.



🔑	14
NOTE	<p>Ruler</p> <ol style="list-style-type: none"> 1. Align the top edge of the Door Visor 2mm below the top of the door edge while locating the front edge of the Door Visor 2mm from the front of the door edge. 2. Ensure the tape liners are exposed (refer to step 13). 3. Install three (3) Push Rivets "C" through the Door Visor into the three (3) Metal Clips. Press down on the center of each Push Rivet to engage.
⚠	Apply only light pressure to the front and rear corners of the Door Visor when installing the Push Rivets.





🔑	15
NOTE	<ol style="list-style-type: none"> 1. Fully remove and discard the tape liner by pulling from both ends as shown.
✔	Be careful not to tear the tape liner during removal.



🔑	16
NOTE	<p>Lint Free Cloth</p> <ol style="list-style-type: none"> 1. Using a Lint Free Cloth, apply firm downward pressure to the entire tape flange six (6) times to promote maximum adhesion of the Door Visor to the door frame. 2. Repeat steps 9 - 16 for the Rear LH Door Visor.
✔	It is critical that the part is correctly pressed down and the Metal Clips are properly fitted to ensure the function of the part.

Genuine Accessories

Visual Check

Items To Be Checked	Results of the Check
 Check position of the Door Visor to make sure that it is positioned correctly (Step 6 & 14).	Door Visor has correct fitment.
 Conduct a final inspection, ensuring that all Metal Clips and Push Rivets are correctly installed and fully engaged. Close all doors and windows, then check clearances at all edges for interference.	Door Visor has correct fitment.

Genuine Accessories Cleaning Instructions

**Spray with a firm water spray to remove any loose dirt, then wash with water, detergent and a soft cloth or sponge.
DO NOT use petroleum based solvents or abrasives.**

Retain these instructions in your glovebox for future reference.