

HYUNDAI Genuine Accessories



Vehicle Model Tucson
 Model Year 2016~
 Part No. D3024 ADU00

Accessory Hood Deflector
 Difficulty (B)

- Accessory Installation

Note: Difficulty stated above reflects the minimum level of expertise required to install the accessory.

(A) Customer (B) Dealer Technician (C) Master Technician

Instructional Symbols / Definitions

| | | | | | |
|--|---|-------------|---|--|--------------------|
| | Denotes warnings that may lead to serious physical injury or vehicle damage. | | Denotes quality processes to be checked prior to moving to the next step. | Denotes safety equipment required to be used such as a mask, goggles, rubber gloves, and hearing protection. | |
| | Denotes cautions to be taken to avoid physical injury or electronic component damage. | | Denotes specific tools that are necessary to complete the step. | | |
| | Denotes cautions to be taken to avoid vehicle and component damage. | NOTE | Denotes instructional steps necessary to complete the process. | | |
| | | | | Mask | Goggles |
| | | | | Rubber Gloves | Hearing Protection |

Basic Required Hand Tools

| | | | | | |
|--------------|-----------------|-------------------------|--------------------------------|--------------------------|---------------|
| | | | | | |
| Soap & Water | Lint Free Cloth | #2 Phillips Screwdriver | Non-Permanent Marker or Pencil | Nylon Panel Removal Tool | Torque Wrench |

| |
|--------------------|
| |
| #2 Phillips Socket |

| |
|--------------------------------------|
| FMVSS 110 Compliance Information |
| Part Number: D3024 ADU00 |
| 0.9 lbs 0.41 kg (Gross Weight) |

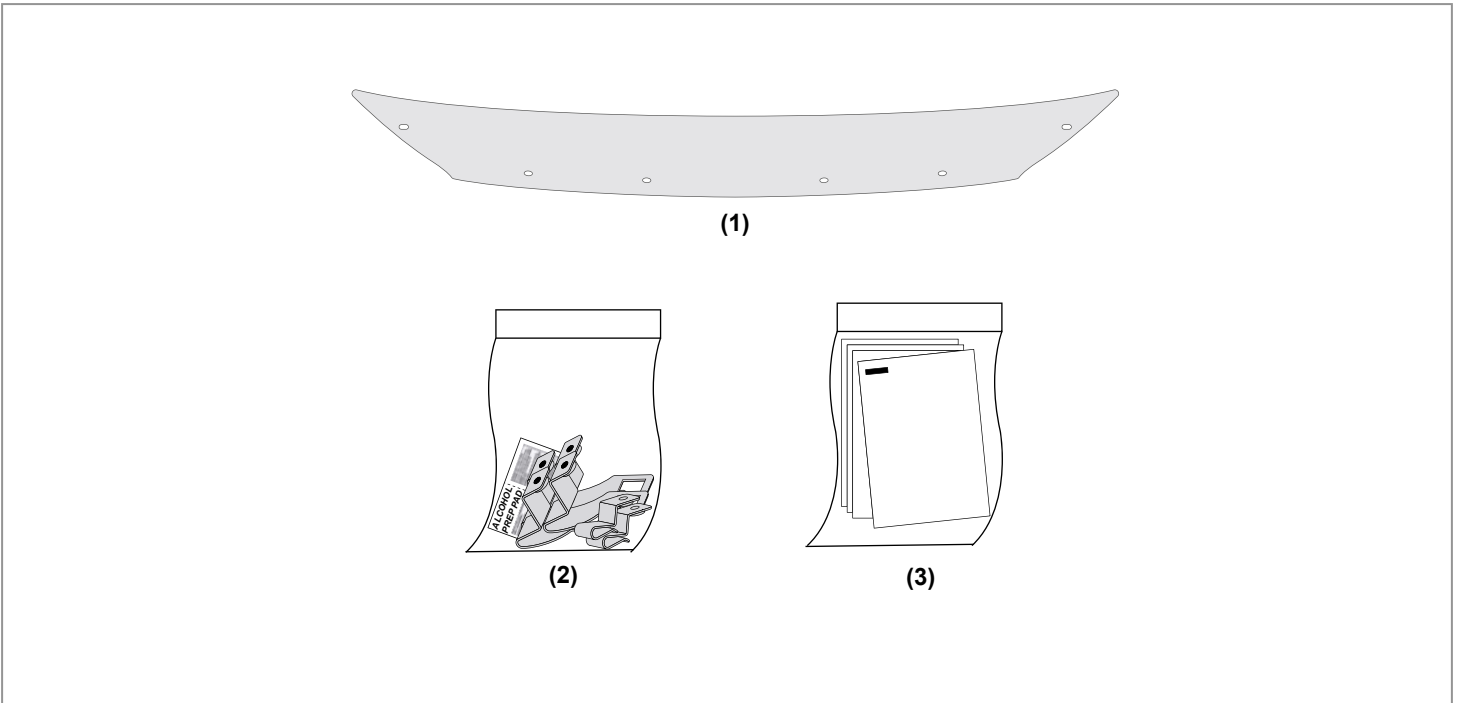
| |
|--|
| All dealers must determine if the weight they have added in the form of all options or accessories, when added to the weight of all Port/Dealer Installed options or accessories, exceeds the lesser of 1.5% of GVWR or 100 lbs. If the additional weight does exceed the lesser of the indicated thresholds, a "Load Carrying Capacity Reduced" label must be installed. A black, fine-point, indelible marker must be used to write by hand onto the label, the reduced carrying capacity in kilograms or pounds, which is the total weight of all added options and accessories. Load Label Part Number: NP070 - 09003 |
|--|

Notes to the Installer:

- 1) Read the entire installation instruction prior to beginning the installation of this accessory.
- 2) Adhesives used in this product are sensitive to temperature during installation, only install this product to the vehicle if the temperature is between 60° - 80°F \ 15° - 27°C. Installing the parts to the vehicle outside of this temperature may lead to a reduced level of performance.
- 3) Installation of all parts should not occur in direct sunlight or if the vehicle has been parked in direct sunlight and is hot as a result. Both the parts and the vehicle should be at the same temperature 60° - 80°F \ 15° - 27°C during the installation to ensure maximum adhesion.
- 4) Make sure the vehicle is completely clean before the accessory is installed.
- 5) Ensure the vehicle is properly protected in the area(s) that the accessory is to be installed.
- 6) To prevent vehicle damage, never place tools on top of painted surfaces, seats, dash pad, console or floor carpets/mats.
- 7) Always wear appropriate safety gear to include gloves and safety glasses when required.
- 8) Use of Hood Deflector may result in some wind noise heard.
- 9) Do not wash the vehicle for 48 hours after installation.
- 10) Do not drive the vehicle for 1 hour after installation.


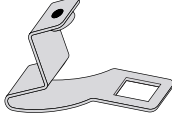






HYUNDAI Genuine Accessories

Kit Overview:



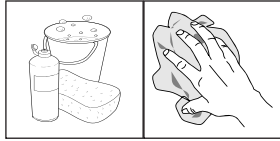
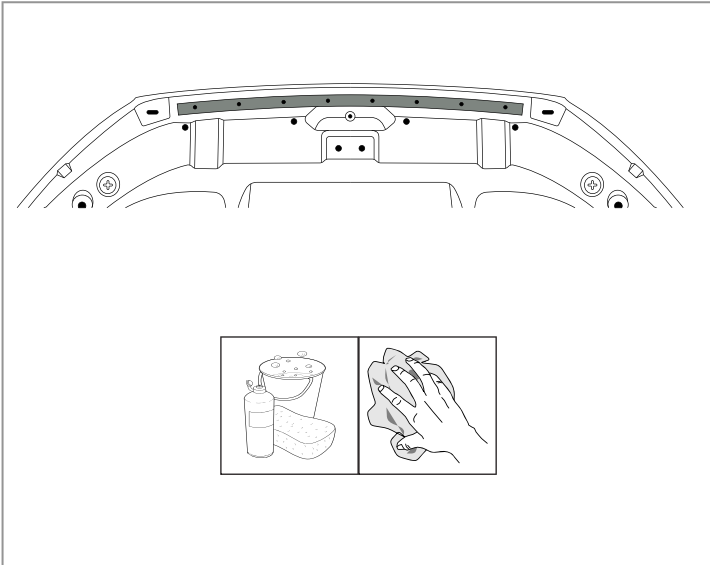
| No. | Qty. | Description |
|-----|------|---------------------------|
| 1 | 1 | HOOD DEFLECTOR |
| 2 | 1 | HARDWARE KIT |
| 3 | 1 | INSTALLATION INSTRUCTIONS |

Hardware Overview:

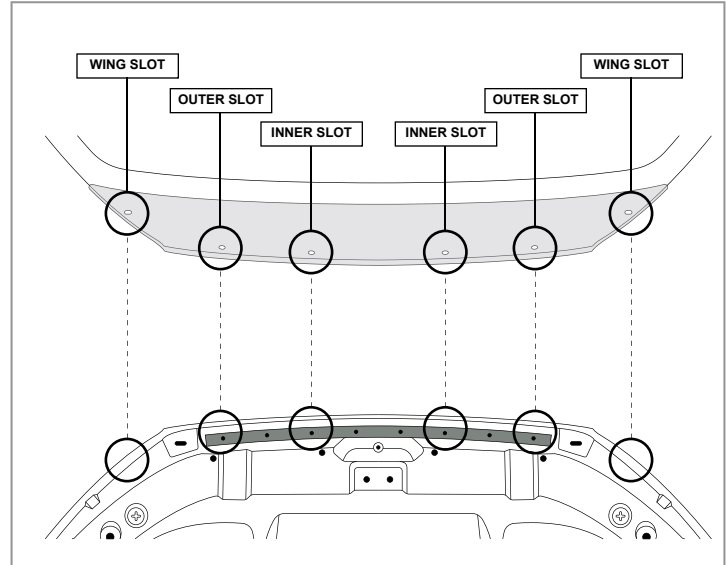
| | | | | |
|---|---|---|---|---|
| <p>A</p>  | <p>B</p>  | <p>C</p>  | <p>D</p>  | <p>E</p>  |
| <p>2 Alcohol Prep Pad</p> | <p>4 Fixed Clip</p> | <p>2 Push-on Clip</p> | <p>6 Abrasive Resistant Tape</p> | <p>4 Self Tapping Screw</p> |
| <p>F</p>  | <p>G</p>  | <p>H</p>  | | |
| <p>6 Small Screw</p> | <p>6 Washer</p> | <p>4 Screw Plug</p> | | |

| |
|----------------|
| Hardware Total |
| 34 |

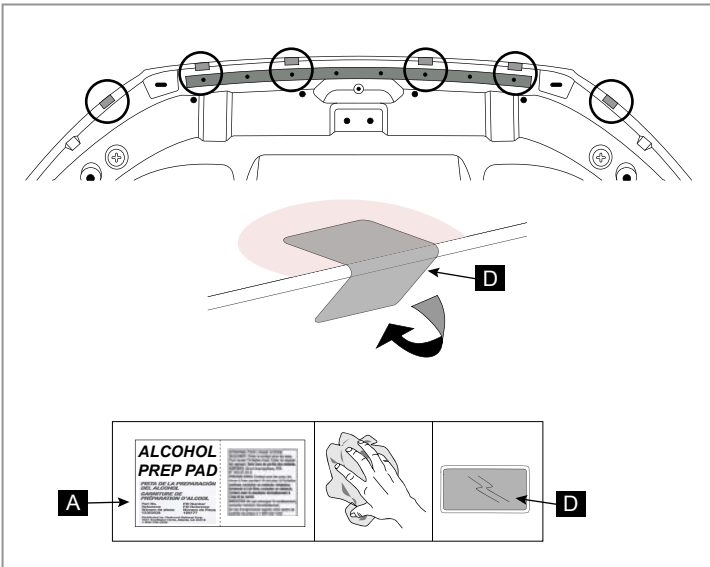
HYUNDAI Genuine Accessories



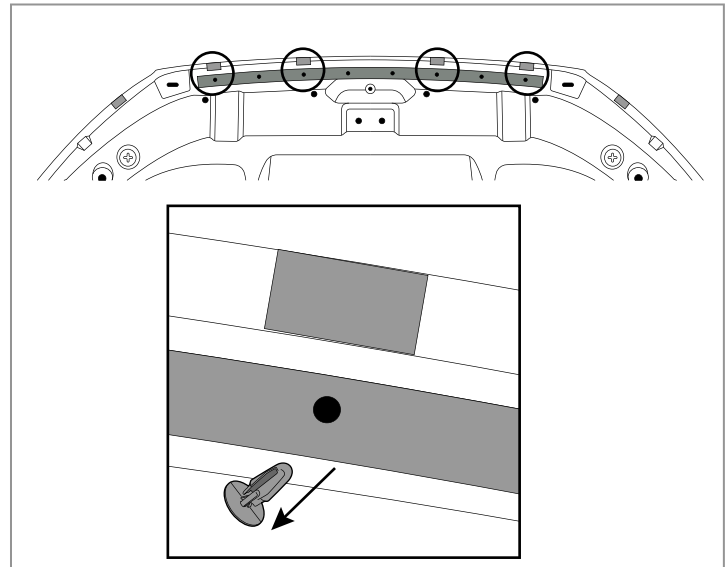
| | | |
|-------------|---|----------|
| | Soap & Water and Lint Free Cloth | 1 |
| NOTE | <ol style="list-style-type: none"> 1. Thoroughly clean the hood and surrounding areas. 2. Wipe away any residue and allow to completely dry. 3. Open the hood. | |
| | Make sure all surfaces are completely dry before trial fitting the Hood Deflector. | |



| | | |
|-------------|--|----------|
| | Non-Permanent Marker or Pencil | 2 |
| NOTE | <ol style="list-style-type: none"> 1. Trial fit the Hood Deflector centrally onto the hood, align the front edge of the Hood Deflector with the hood lip. 2. With a Non-Permanent Marker or Pencil. <ul style="list-style-type: none"> - Mark the rubber gasket retaining plugs on the underside of the hood that correspond with the two (2) inner slots and two (2) outer slots in the Hood Deflector. - Mark the two (2) wing slot positions in relation to the hood lip. 3. Remove the Hood Deflector. | |
| | Make sure Hood Deflector is located centrally on the hood. | |

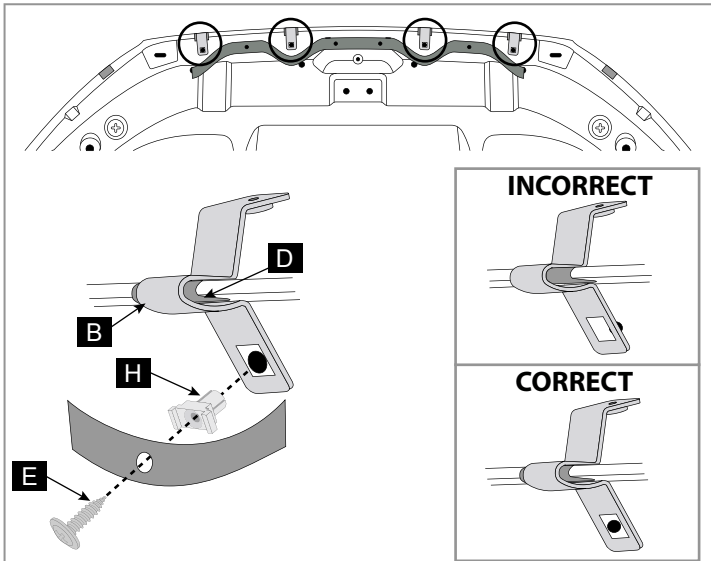




| | | |
|-------------|---|----------|
| | Lint Free Cloth | 3 |
| NOTE | <ol style="list-style-type: none"> 1. Using two (2) Alcohol Prep Pads "A", thoroughly clean the six noted tape attachment areas. <ul style="list-style-type: none"> - Make sure to remove any marks from the Non-Permanent Marker or Pencil. 2. Wipe away any residue with a Lint Free Cloth as shown. 3. Adhere the six (6) Abrasive Resistant Tapes "D" over the hood at the Clip locations. | |
| | Ensure Abrasive Resistant Tapes are evenly distributed on the edge of the hood to prevent the Clips from having direct contact with the paint. | |

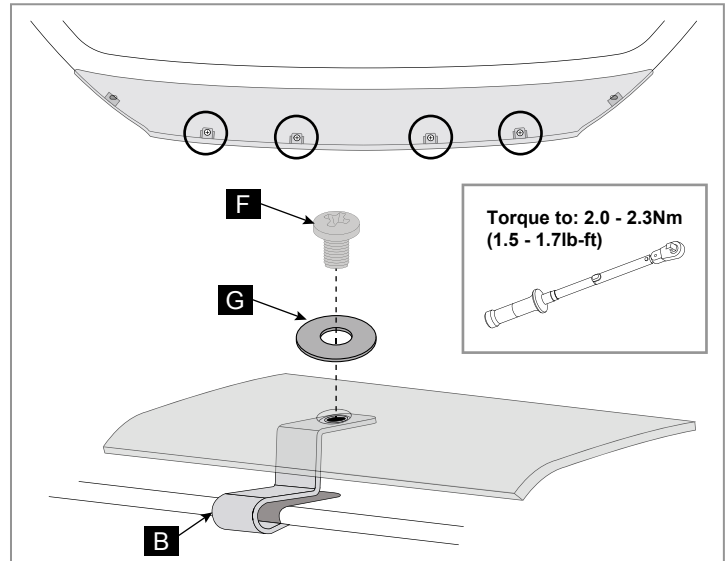




| | | |
|-------------|--|----------|
| | Nylon Panel Removal Tool | 4 |
| NOTE | <ol style="list-style-type: none"> 1. Remove the four (4) noted rubber gasket retaining plugs, and discard. | |
| | Take care not to damage the rubber gasket when removing the retaining plugs. | |

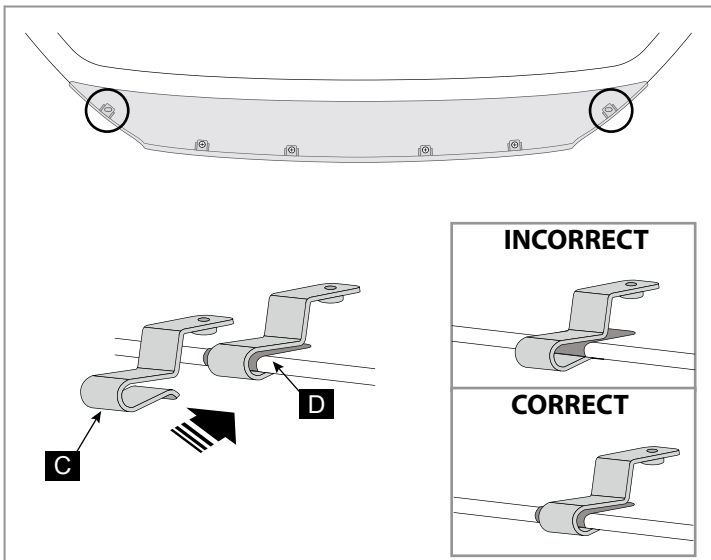
HYUNDAI Genuine Accessories





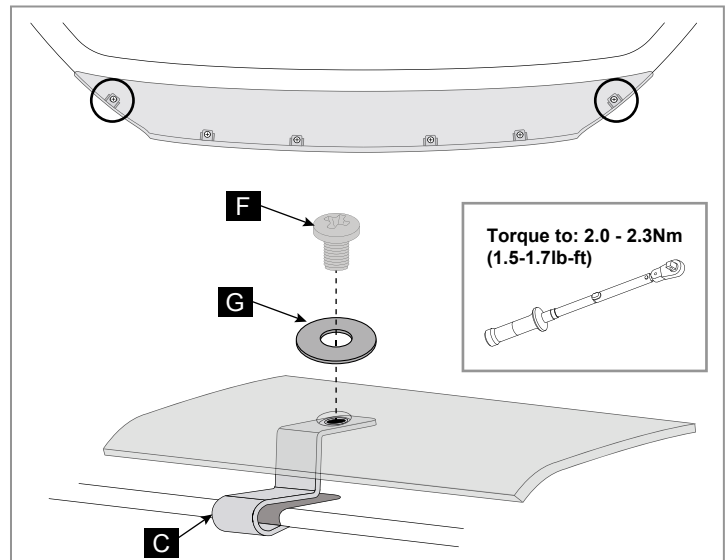
| | | |
|---|--|---|
|  | #2 Phillips Screwdriver | 5 |
| NOTE | 1. At the four (4) Fixed Clip "B" locations, hold the rubber gasket away from the hood. | |
| | 2. Install the four (4) Fixed Clips "B" over the Abrasive Resistant Tape "D". | |
| | 3. Make sure that the four (4) Fixed Clips "B" rests on the Abrasive Resistant Tape "D". | |
| | 4. Secure the four (4) Fixed Clips "B" by pressing the Screw Plug "H" through the Fixed Clips "B" into the hood. | |
| | 5. Insert the four (4) Self Tapping Screws "E" through the holes in the rubber gasket and into the Screw Plugs "H". | |
|  | Ensure the Clips are positioned over the Abrasive Resistant Tapes preventing direct contact to the paint. Failure to do so may result in paint damage. | |





| | | |
|--|--|---|
|  | #2 Phillips Screwdriver, Torque Wrench, #2 Phillips Socket | 6 |
| NOTE | 1. Partially remove the protective film to expose the slots and hole in the Hood Deflector. | |
| | 2. Loosely secure the Hood Deflector to the top of Fixed Clips "B" with four (4) of the Small Screws "F" and four (4) of the Washers "G" provided. | |
| | 3. Ensure the Hood Deflector is centrally located on the hood. | |
| | 4. Fully tighten the four (4) Small Screws "F". Torque to: 2.0 - 2.3Nm (1.5 - 1.7lb-ft) | |
|  | Use torque specifications when securing the Screws to ensure the Hood Deflector does not move. | |






| | | |
|--|--|---|
|  | | 7 |
| NOTE | 1. At the two (2) wing slot locations, install the two (2) Push-on Clips "C". Locate the bottom leg of the Clip over the Abrasive Resistant Tape "D" then push into place. | |
| | 2. Make sure that the Push-on Clips "C" rest on the Abrasive Resistant Tapes "D". | |
|  | Ensure the Clip is positioned over the Abrasive Resistant Tape preventing direct contact to the paint. Failure to do so may result in paint damage. | |



| | | |
|---|---|---|
|  | #2 Phillips Screwdriver, Torque Wrench, #2 Phillips Socket | 8 |
| NOTE | 1. Firmly secure Hood Deflector to the two Push-on Clips "C" with the two (2) remaining Small Screws "F" and the two (2) remaining Washers "G" provided, fully tighten the Screws. Torque to: 2.0 - 2.3Nm (1.5 - 1.7lb-ft) | |
| | 2. Do a final check to ensure the Hood Deflector is fully secured to the hood. | |
| | 3. Remove the protective film from the Hood Deflector. | |
| | 4. To remove, reverse the above procedure. | |
| | 5. Retain these instructions in your glove box for future reference. | |
|  | Use torque specifications when securing the Screws to ensure the Hood Deflector does not move. | |

HYUNDAI Genuine Accessories

Visual Check

| Items To Be Checked | Results of the Check |
|--|---|
|  Make sure the Clips are installed over the Abrasive Resistant Tapes (Step 5 & 7). | The Clips are correctly installed. |
|  Check the position of the Hood Deflector to make sure that it is positioned centrally (Step 6). | The Hood Deflector is positioned centrally. |
|  Fully tighten the Screws to torque specifications (Step 6 & 8). | The Screws are correctly installed. |

HYUNDAI Genuine Accessories Cleaning Instructions

**Spray with a firm water spray to remove any loose dirt, then wash with water, detergent and a soft cloth or sponge.
DO NOT use petroleum based solvents or abrasives.**

Retain these instructions in your glovebox for future reference.