



# HYUNDAI Genuine Accessories

Vehicle Model	Tucson	Accessory	Tow Hitch
Model Year	2016 ~	Difficulty	( B )
Part No.	D3061 ADUP2		
Rev. Date	D3061 ADU02		
	1/26/2017		

- Accessory Installation

**Note:** Difficulty stated above reflects the minimum level of expertise required to install the accessory.  
 ( A ) Customer ( B ) Dealer Technician ( C ) Master Technician

**Install Tow Hitch Harness before installing the Tow Hitch.**

## Instructional Symbols / Definitions

	Denotes warnings that may lead to serious physical injury or vehicle damage.		Denotes quality processes to be checked prior to moving to the next step.	Denotes safety equipment required to be used such as a mask, safety glasses, gloves, and hearing protection.	
	Denotes cautions to be taken to avoid physical injury or electronic component damage.		Denotes specific tools that are necessary to complete the step.		
	Denotes cautions to be taken to avoid vehicle and component damage.		Denotes instructional steps necessary to complete the process.		

## Basic Required Hand Tools

Ratchet	Extension	17mm Socket	Thread Chaser (M10 x 1.25)
Torque Wrench	Paint Pen (Yellow or White)	#2 Phillips Screwdriver	Shop Cloth
#2 Right Angle Phillips Screwdriver			

## Specialty Required Tools

Vehicle Lift
Exhaust Hanger Tool

**FMVSS 110 Compliance Information**  
 31.00 lbs  
 14.06 kg  
 (Gross Weight)

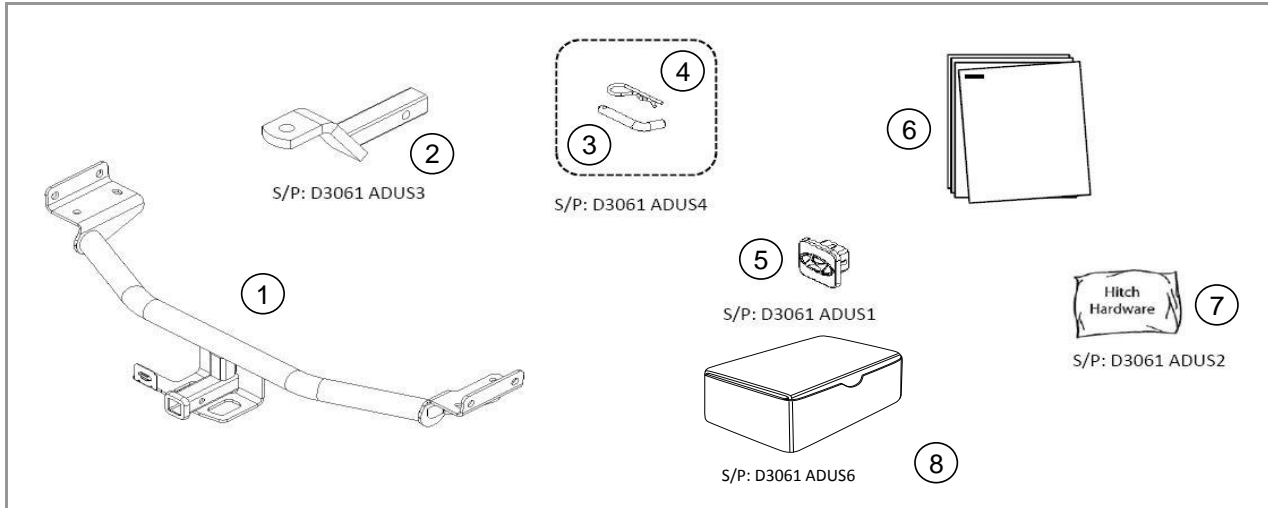
All dealers must determine if the weight they have added in the form of all options or accessories, when added to the weight of all Port/Dealer Installed options or accessories, exceeds the lesser of 1.5% of GVWR or 100 lbs. If the additional weight does exceed the lesser of the indicated thresholds, a "Load Carrying Capacity Reduced" label must be installed. A black, fine-point, indelible marker must be used to write by hand onto the label, the reduced carrying capacity in kilograms or pounds, which is the total weight of all added options and accessories.  
 Load Label Part Number: NP070 - 09003

## Notes to the Installer:

- 1) Read the entire installation instructions prior to beginning the installation of this accessory.
- 2) Make sure the vehicle is completely clean before the accessory is installed.
- 3) Ensure the vehicle is properly protected in the area(s) that the accessory is to be installed.
- 4) To prevent vehicle damage, never place tools on top of painted surfaces, seats, dash pad, console or floor carpet/mats.
- 5) Always wear appropriate safety gear to include gloves and safety glasses when required.
- 6) Install Tow Hitch Harness before installing the Tow Hitch.


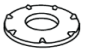
# HYUNDAI Genuine Accessories

## Kit Overview

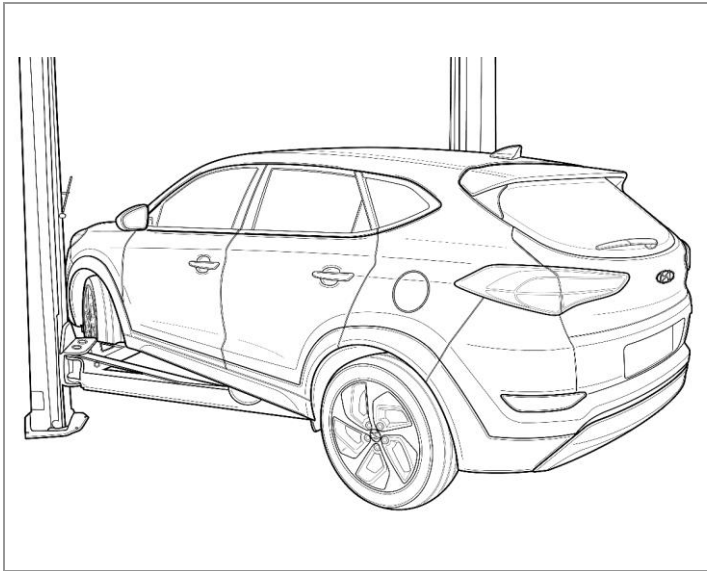


No.	Qty.	Description
1	1	Tow Hitch
2	1	Ball Mount
3	1	Pin
4	1	Clip
5	1	Receiver Plug
6	1	Installation Instructions
7	1	Hardware
8	1	Tow Hitch Harness Kit

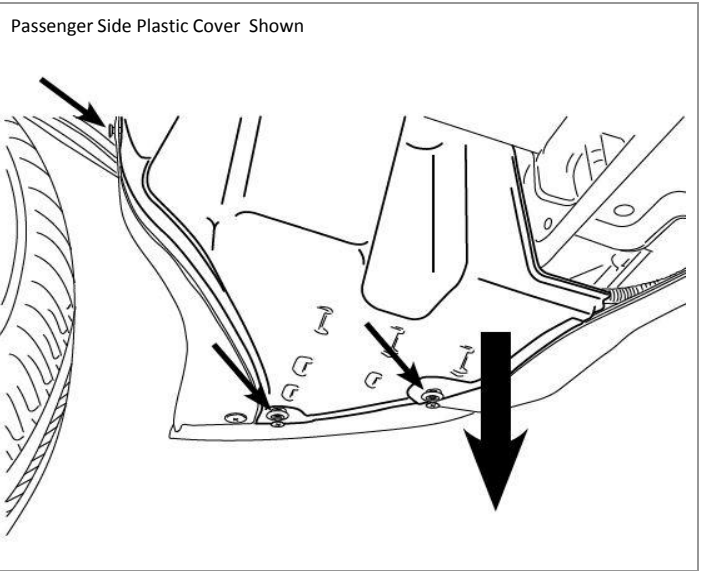
## Hardware Overview

<b>A</b>		<b>B</b>	
8	M10 1.25 x 30 Bolt	8	M10 Toothed Washer

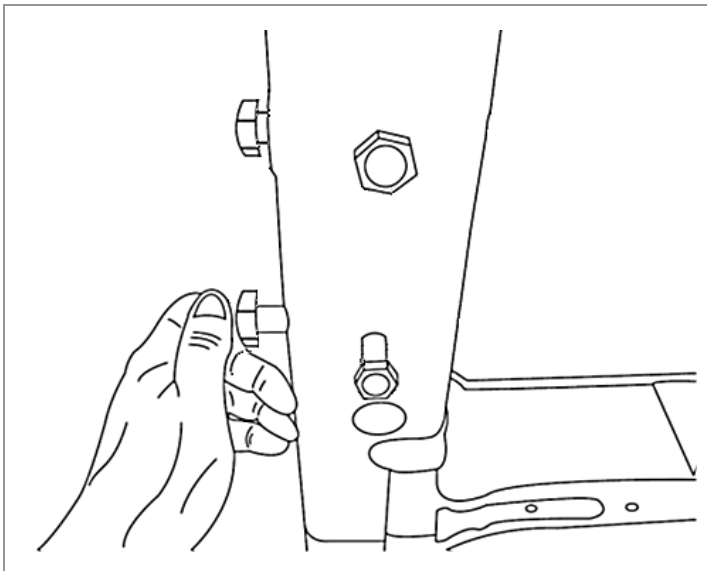
<b>Hardware Total</b>
<b>16</b>



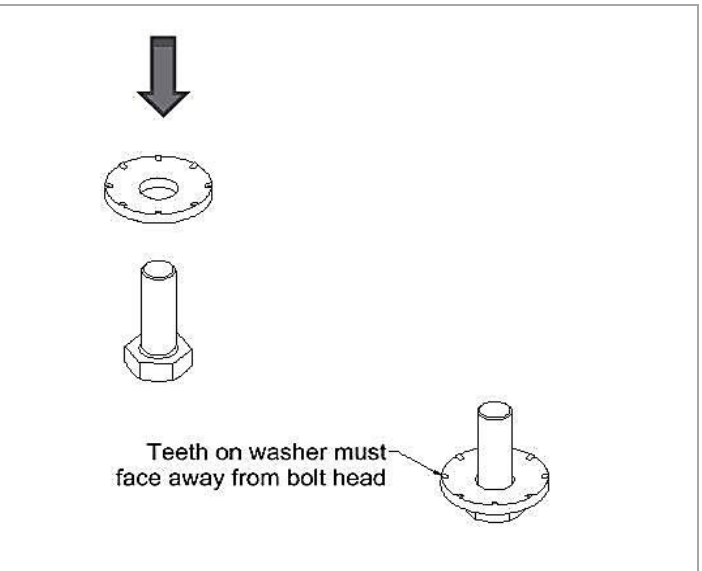
	<b>Vehicle Lift</b>	<b>1</b>
<b>NOTE</b>	<p><b>NOTE:</b> If installing the tow hitch harness, skip steps 1, 2, and 8 of these tow hitch installation instructions and follow the steps outlined in the harness installation instructions.</p> <p>1. Position the Vehicle on a Vehicle Lift.</p>	
	<b>Adhere to Vehicle Lift Safety Standards</b>	



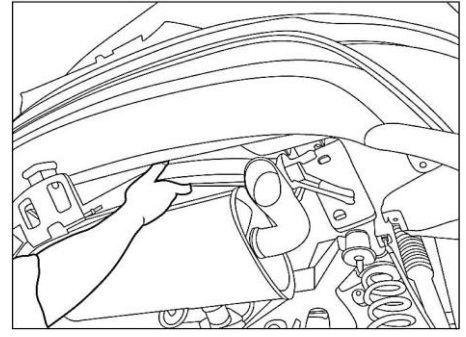
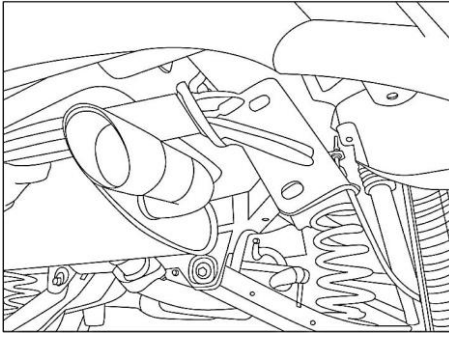
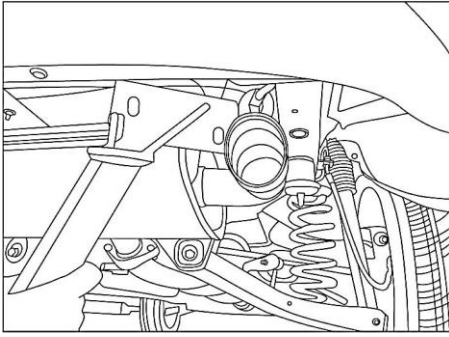
	<b>#2 Phillips Screwdriver and #2 Right Angle Phillips Screwdriver</b>	<b>2</b>
<b>NOTE</b>	<p>1. If equipped, remove the two (2) Rear Mudguards.</p> <p>2. Remove the three (3) Plastic Clips, then dislodge and remove the one (1) Passenger Side Plastic Cover.</p> <p>3. Remove the three (3) Plastic Clips, then dislodge and remove the one (1) Driver Side Plastic Cover.</p> <p>4. Store the removed parts in a safe location for reinstallation.</p>	



	<b>Thread Chaser (M10 x 1.25)</b>	<b>3</b>
<b>NOTE</b>	<p>1. Hand tighten the eight (8) M10 1.25 x 30 Bolts into ALL eight (8) Tow Hitch Mounting Holes as shown to verify the Mounting Threads are free of debris or weld spatter.</p> <p>2. If applicable, use a Thread Chaser (M10 x 1.25) as needed to remove any debris or weld spatter from the threads.</p>	



		<b>4</b>
<b>NOTE</b>	<p>1. Preassemble eight (8) M10 1.25 x 30 Bolts with eight (8) M10 Toothed Washers as shown.</p>	
	<p>Make sure the 'tooth side' on each M10 Tooth Washer is installed facing away from the M10 1.25 x 30 Bolt Head as shown. Do not use M10 bolts longer or shorter than the provided 30mm to prevent interference or inadequate thread engagement.</p>	



**Exhaust Hanger Tool and Shop Cloth**

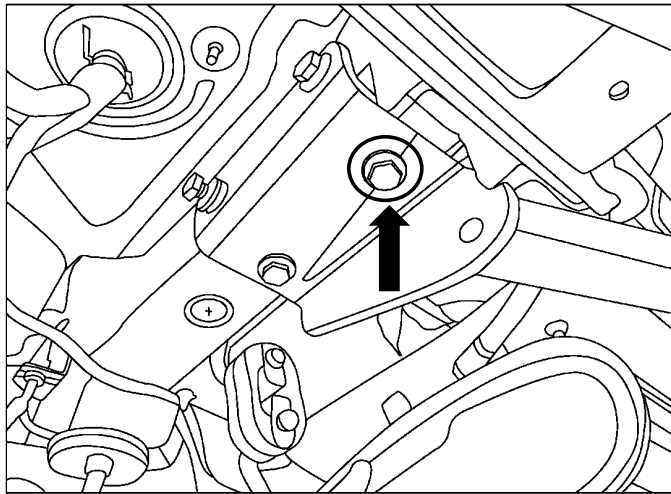
5

**NOTE**

1. For Dual Tip Exhaust Vehicles, dislodge the Passenger Side Exhaust Hanger.
2. Place a Shop Cloth over the Passenger Side Exhaust Tip to prevent scratches.
3. Carefully maneuver the Tow Hitch above the Exhaust.
4. Position the Tow Hitch evenly over the Chassis Rails.



**Caution: Make sure Exhaust Components are at a safe working temperature before installing the Tow Hitch.**



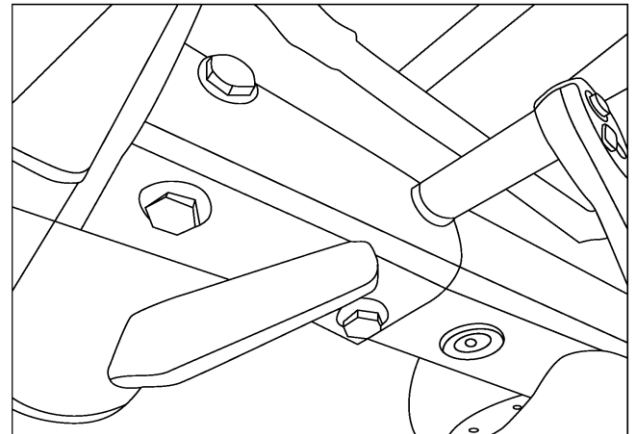
6

**NOTE**

1. Insert four (4) preassembled M10 1.25 x 30 Bolts and M10 Toothed Washers into the four (4) vertical Tow Hitch Mounting Holes.  
- Install the first Bolt into the Driver Side Rear Vertical position as shown.
2. Insert the four (4) preassembled M10 1.25 x 30 Bolts and M10 Toothed Washers into the four (4) horizontal Tow Hitch Mounting Holes.
3. Hand tighten all eight (8) M10 1.25 x 30 Bolts.



**Do not use Power Tools to install the M10 1.25 x 30 Bolts. If Power Tools are used, the M10 1.25 x 30 Bolts and / or Mounting Hole Threads may be damaged or cross threaded.**



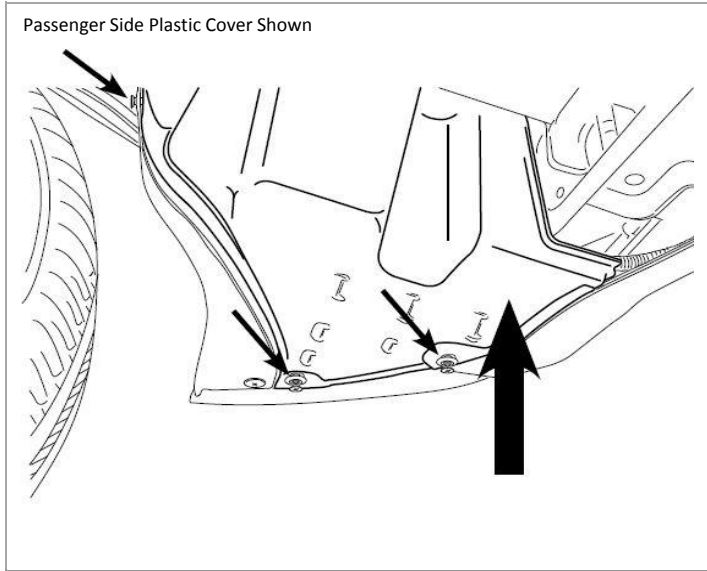
**Ratchet, Extension, 17mm Socket, Torque Wrench and Paint Pen (Yellow or White)**

7

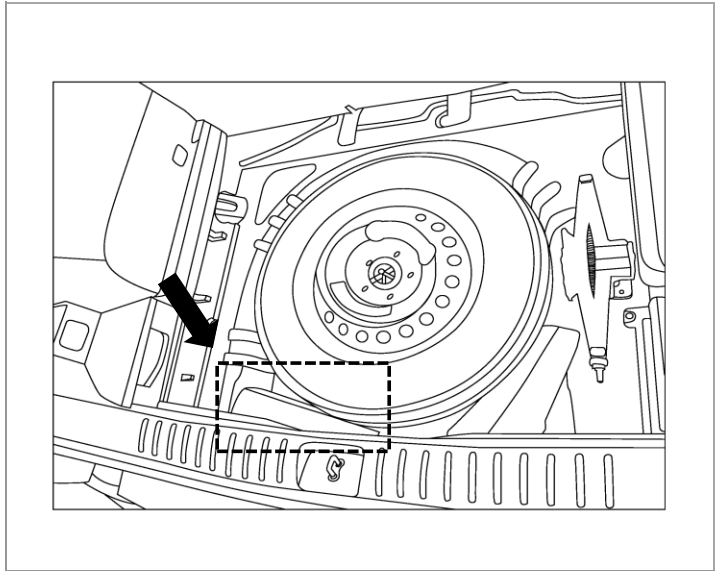
**NOTE**

1. Torque the four (4) horizontal position M10 1.25 x 30 Bolts to: 54 N.m (5.5 kgf.m, 40 lb-ft).
2. Torque the four (4) vertical position M10 1.25 x 30 Bolts to: 54 N.m (5.5 kgf.m, 40 lb-ft).
3. Mark a line across each M10 1.25 x 30 Bolts and onto the Tow Hitch and Chassis Rail using a Paint Pen (Yellow or White).
4. If applicable, reinstall the Passenger Side Exhaust Hanger.

## HYUNDAI Genuine Accessories



	<b>#2 Phillips Screwdriver and #2 Right Angle Phillips Screwdriver</b>	<b>8</b>
<b>N O T E</b>	<p><b>NOTE:</b> If the tow hitch harness is still being installed, switch back to the harness installation instructions to complete the tow hitch harness installation and reinstall the plastic covers.</p> <ol style="list-style-type: none"> <li>1. Reinstall the one (1) Passenger Side Plastic Cover and three (3) Plastic Clips.</li> <li>2. Reinstall the one (1) Driver Side Plastic Cover and three (3) Plastic Clips.</li> <li>3. If applicable, reinstall the two (2) Rear Mudguards.</li> </ol>	



		<b>9</b>
<b>N O T E</b>	<ol style="list-style-type: none"> <li>1. Open the Spare Tire Compartment Lid.</li> <li>2. Place the Ball Mount Box (including Ball Mount, Pin, Clip and Receiver Plug) into the Spare Tire Compartment as shown.</li> <li>3. Close the Spare Tire Compartment Lid.</li> </ol>	

### Function Check

	Items To Be Checked	Results Of The Check
	Make sure the Ball Mount Box is placed into the Spare Tire Compartment (step 9).	The Ball Mount Box is inside the Spare Tire Compartment.
	Make sure all eight (8) M10 1.25 x 30 Bolts are torqued to: 54 N.m (5.5 kgf.m, 40 lb-ft).	All M10 1.25 x 30 Bolts are torqued to: 54 N.m (5.5 kgf.m, 40 lb-ft).
	Make sure all eight (8) M10 1.25 x 30 Bolts and surrounding Tow Hitch / Chassis Rail surfaces are marked using a Paint Pen (Yellow or White).	All M10 1.25 x 30 Bolts are marked.