



Genuine Accessories

Vehicle Model	Elantra	Accessory	Applique, Bumper
Model Year	2017 ~	Difficulty	(B)
Part No.	F3031 ADUP2 (PIO)		
	F3031 ADU02 (DIO)		

- Accessory Installation

Note: Difficulty stated above reflects the minimum level of expertise required to install the accessory.

(A) Customer (B) Dealer Technician (C) Master Technician

Instructional Symbols / Definitions

	Denotes warnings that may lead to serious physical injury or vehicle damage.		Denotes quality processes to be checked prior to moving to the next step.	Denotes safety equipment required to be used such as a mask, safety glasses, gloves, and hearing protection.	
	Denotes cautions to be taken to avoid physical injury or electronic component damage.		Denotes specific tools that are necessary to complete the step.		
	Denotes cautions to be taken to avoid vehicle and component damage.		Denotes instructional steps necessary to complete the process.		

Basic Required Hand Tools

50/50 Isopropyl Alcohol (70%) & Water

Alcohol, Soap & Water (SLIP Mixture)

Microfiber Cloth

FMVSS 110 Compliance Information

Part Number
F3031 ADU02
F3031 ADUP2

0.093 lbs
0.043 kg
(Gross Weight)

All dealers must determine if the weight they have added in the form of all options or accessories, when added to the weight of all Port/Dealer installed options or accessories, exceeds the lesser of 1.5% of GVWR or 100 lbs. If the additional weight does exceed the lesser of the indicated thresholds, a "Load Carrying Capacity Reduced" label must be installed. A black, fine-point, indelible marker must be used to write by hand onto the label, the reduced carrying capacity in kilograms or pounds, which is the total weight of all added options and accessories.

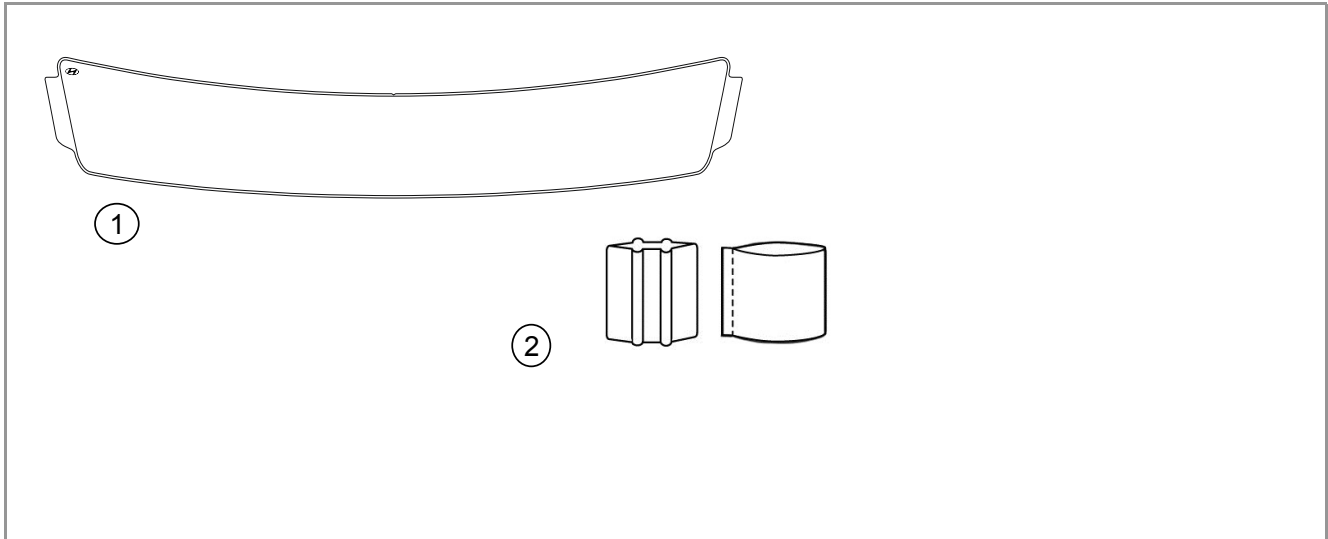
Load Label Part Number:
NP070 - 09003

Notes to the Installer:

- 1) Read the entire installation instructions prior to beginning the installation of this accessory.
- 2) Make sure the vehicle is completely clean before the accessory is installed.
- 3) Ensure the vehicle is properly protected in the area(s) that the accessory is to be installed.
- 4) To prevent vehicle damage, never place tools on top of painted surfaces, seats, dash pad, console or floor carpet/mats.
- 5) Always wear appropriate safety gear to include gloves and safety glasses when required.
- 6) Slip Mixture: Mix 8 oz. of water, 8 oz. alcohol (70% isopropyl) & 1 ml of baby shampoo in a trigger type spray bottle marked "SLIP".
Note: The above listed solution has been formulated for use where ambient & vehicle surface temperatures are within a range of 65°F to 90°F. If temperatures exceed this range, add additional shampoo in increments of 1 ml to aid in alignment.
Cleaning solution: 50/50 mix of Isopropyl Alcohol (70%) & Water.
- 7) Install this product while observing all warnings and precautions stated in this instruction booklet.
- 8) **VERY IMPORTANT:** Thoroughly clean bumper area with cleaning solution. If contaminants are found, clean with an automotive grade clay bar (follow instructions provided with clay bar).
- 9) **VERY IMPORTANT:** Ambient temperature Bumper Applique and vehicle must be 65°F to 90°F at the time of installation and for two hours after.
- 10) Parts storage should be at room temperature and in a clean dry place. Care should be taken to avoid a dusty environment.
- 11) Place a large towel or pad on the ground to catch wetting mixture and avoid slippery floor.

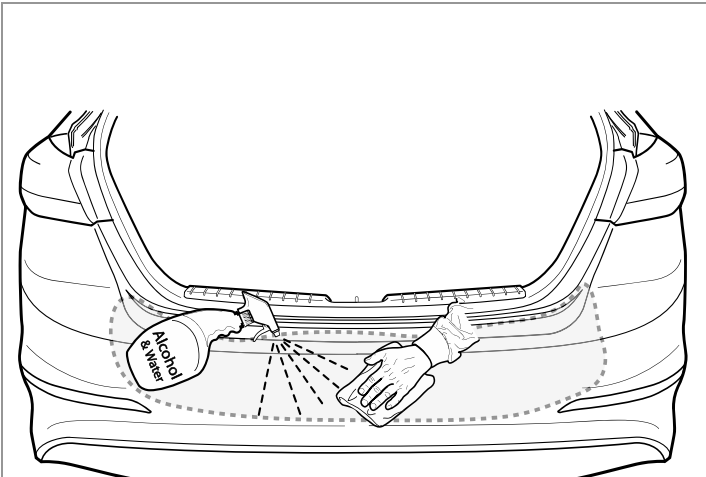
Genuine Accessories




Kit Overview

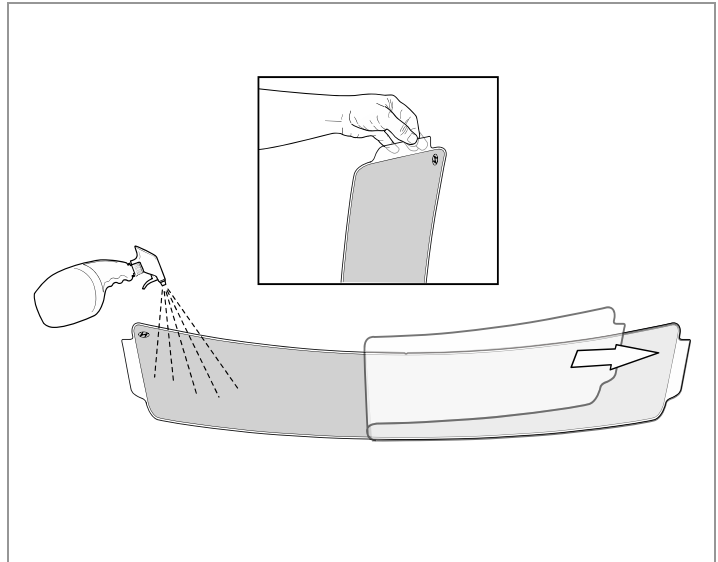


No.	Qty.	Description
1	1	Applique, Bumper
2	1	Squeegee & Sleeve

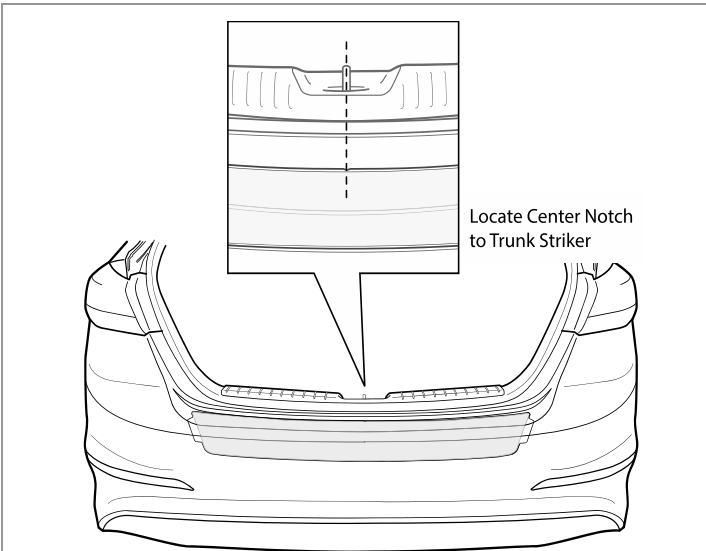
Genuine Accessories




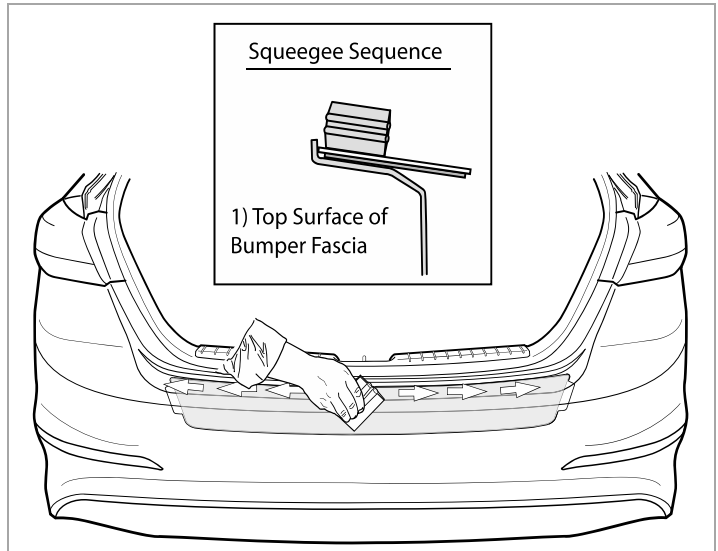
 	<p>50/50 Mix Isopropyl Alcohol (70%) & Water and a Microfiber Cloth 1</p> <p>1. Thoroughly clean the bumper area using the cleaning solution and a microfiber cloth.</p>	
NOTE		
	Make sure application area is completely clean and dried. Inspect area for contaminants.	




	<p>Alcohol, Soap & Water Mixture (SLIP Mixture) 2</p> <p>1. Remove the liner from the Applique, spray the Applique with the SLIP mixture while removing the liner.</p>	
NOTE		

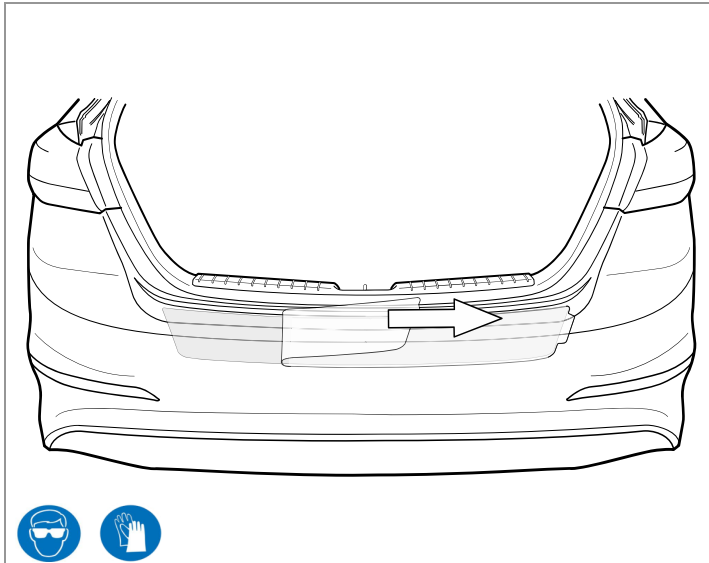


	<p>Alcohol, Soap & Water Mixture (SLIP Mixture) and Squeegee with Sleeve 3</p> <p>1. Wet the vehicle with the SLIP mixture, position the Applique onto the bumper by visually aligning the center notch in the premask to the trunk striker, as shown.</p> <p>2. If necessary, spray additional SLIP mixture to aid in installation.</p>	
NOTE		
	Bumper must be wet to aid in installation.	



	<p>Alcohol, Soap & Water Mixture (SLIP Mixture) and Squeegee with Sleeve 4</p> <p>1. Wet pre-mask on top of Applique with the SLIP mixture.</p> <p>2. Starting in the center, squeegee the Applique firmly onto the top surface of the bumper using overlapping strokes in a side to side motion.</p>	
NOTE		
	Bumper must be wet to aid in installation.	

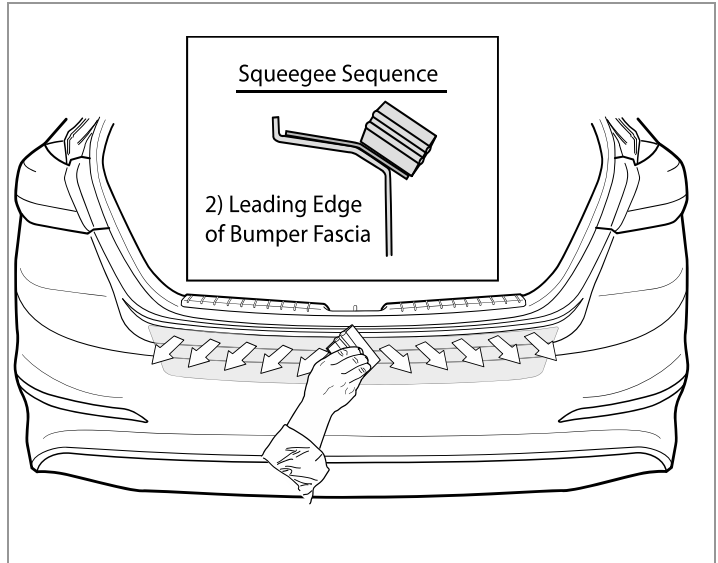
Genuine Accessories



Alcohol, Soap & Water Mixture (SLIP Mixture) and Squeegee with Sleeve 5

NOTE
1. Carefully remove pre-mask by pulling back at 180° against itself.

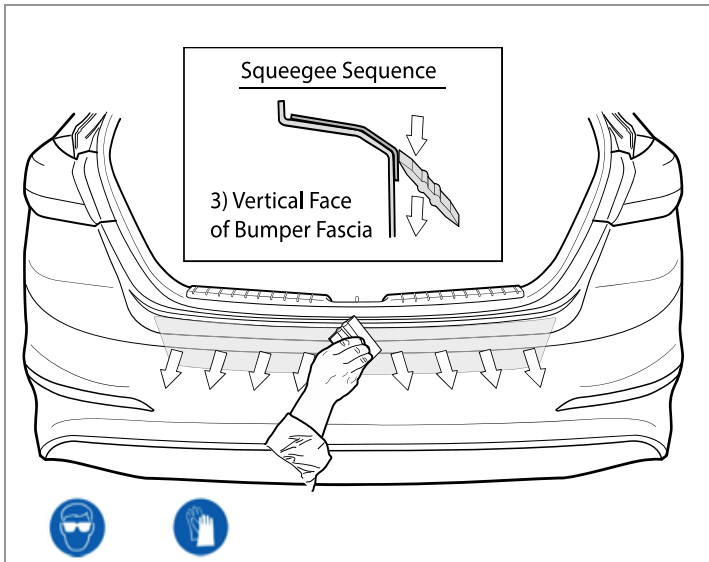
Make sure Sleeve is installed on Squeegee. Bumper must be wet to aid in installation.



Alcohol, Soap & Water Mixture (SLIP Mixture) and Squeegee with Sleeve 6

NOTE
1. Re-wet the Applique with the SLIP mixture and re-squeegee the leading edge of the bumper fascia as shown above.

Do not pull straight up on pre-mask during removal. Peel pre-mask at a constant 180° to ensure the placement of the Applique does not move. Inspect for bubbles and evaluate as needed.








Alcohol, Soap & Water Mixture (SLIP Mixture) and Squeegee with Sleeve 7

NOTE
1. Continue to squeegee Applique to the vertical face of the bumper fascia as shown above.
2. Re-wet the Applique with the SLIP mixture and re-squeegee the entire part to eliminate any trapped water or air bubbles including any edges that may have raised at the body lines.
3. Dry installation area and check for proper fit. Remove and replace Applique if it is not properly installed.

Make sure Sleeve is installed on Squeegee. Bumper must be wet to aid in installation.

Genuine Accessories Visual Check

	Items To Be Checked	Results Of The Check
	Pay special attention not to get any fingerprints or dirt on the adhesive.	No dirt or fingerprints on Applique.
	Make sure Applique is fully adhered.	Applique is not lifting and is fully adhered. Take special care to make sure all edges are fully adhered.
	Make sure no air bubbles are trapped under Applique.	No air bubbles.
	Make sure Applique is free of any remaining adhesive after installation. Clean the Applique with soap and water if necessary.	No adhesive remaining on Applique.
	If an installation error occurs, i.e., scratched / marred Applique, dirt / debris under Applique, crooked installation, etc., installer should remove, discard and replace the Applique.	Applique is installed correctly.