

Genuine Accessories



Vehicle Model **MULTIPLE**

Accessory: **All Weather Floor Mats**

Model Year Multiple
 Part No. Multiple
Multiple - Hook Style Mat
 Language English
 Rev. Date 4/19/2017

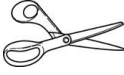
Difficulty: (A)

Note: Difficulty stated above reflects the minimum level of expertise required to install the accessory:
 (A) Customer
 (B) Dealer Technician
 (C) Master Technician or Specialist

Instructional Symbols / Definitions

	Denotes warnings that may lead to serious physical injury or vehicle damage		Denotes quality processes to be checked prior to moving to the next step	Denotes personal protective equipment (PPEs) that may be required for a step. Examples of safety equipment icons noted below:	
	Denotes cautions to be taken to avoid physical injury or electronic component damage		Denotes specific tools that are necessary to complete a step		
	Denotes cautions to be taken to avoid vehicle and component damage	N O T E	Denotes important information to be reviewed during the step		
				Glasses	Gloves
				Mask	Hearing Protection

Basic Required Tools



Scissors

Part Weight (Gross)

Weight information is located on Part Number Label.

FMVSS 110 Compliance Information

All dealers must determine if the weight they have added in the form of all options or accessories, when added to the weight of all Port/Dealer installed options or accessories, exceeds the lesser of 1.5% of GVWR or 100 lbs. If the additional weight does exceed the lesser of the indicated thresholds, a "Load Carrying Capacity Reduced" label must be installed. A black, fine-point, indelible marker must be used to write by hand onto the label, the reduced carrying capacity in kilograms or pounds, which is the total weight of all added options and accessories.
Load Label Part Number: NP070 - 09003



Warning! Ensure that the All Weather Floor Mats are securely attached to the vehicle's floor mat anchor(s) before driving the vehicle. This keeps the All Weather Floor Mats from sliding forward. If the All Weather Floor Mat slips and interferes with the movement of the pedals during driving, it may cause an accident.

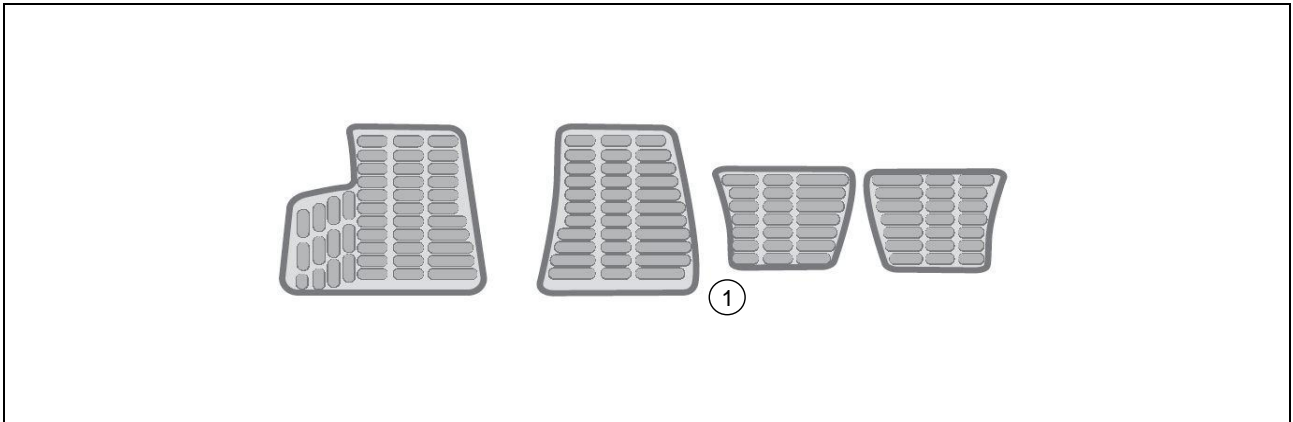
Do not put an additional Floor Mat on top of the anchored All Weather Floor Mat, otherwise the additional mat may slide forward and interfere with the movement of the pedals.

Notes to the installer:

- 1 Dealer must clearly advise customer of installation method.
- 2 Before installing, verify and identify all parts.
- 3 Remove vinyl factory covering from carpeted areas before installation.
- 4 Sliding driver and passenger seats to furthest rearward position provides better access to install front mats properly.
- 5 When removing mats, be sure to hold grommet and mat at the same time, then pull forward.

Genuine Accessories


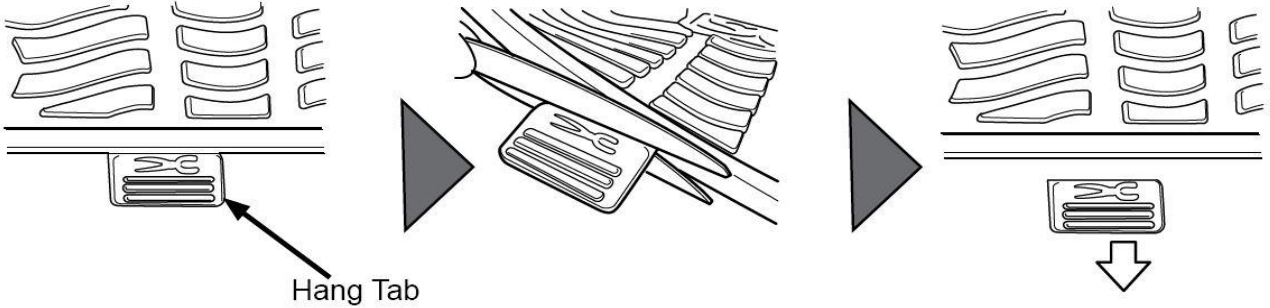
Kit Overview


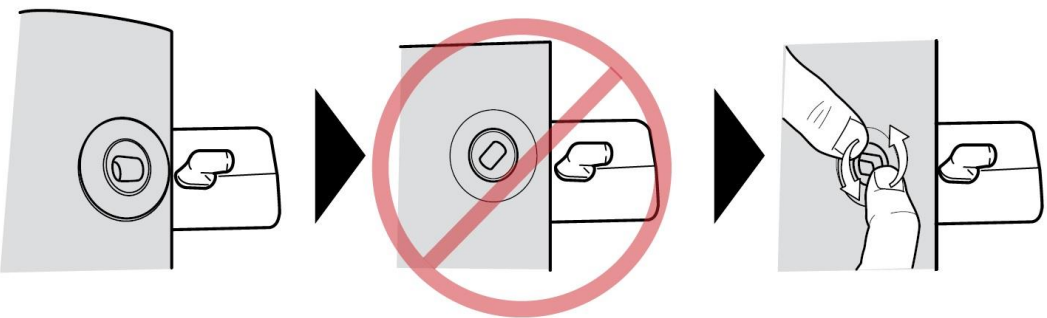


No.	Qty	Description
1	4*	All Weather Floor Mats


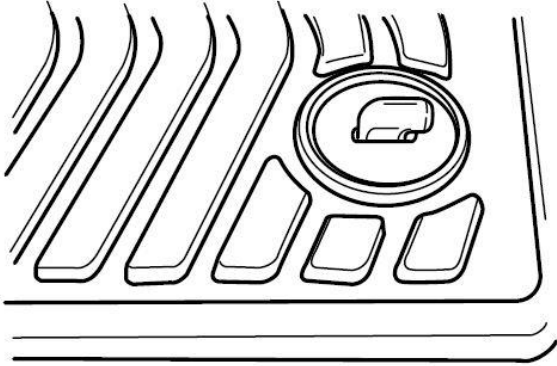
* Shape and quantity of All Weather Floor Mats will vary with each vehicle application.


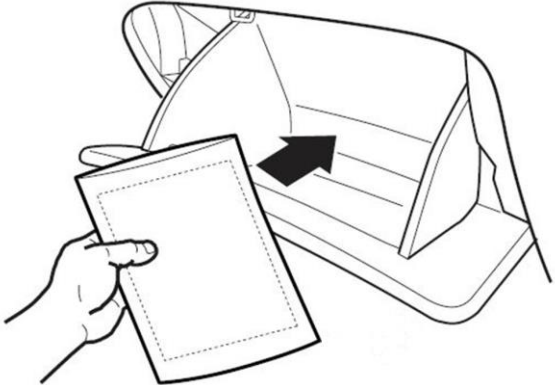
Genuine Accessories

1		Scissors
		
N O T E	<p>A. If present, locate the Hang Tab on each All Weather Floor Mat. B. Carefully remove the Hang Tab from each All Weather Floor Mat as shown. C. Discard the removed Hang Tabs.</p>	

2		
		
N O T E	<p>A. Install the driver side floor mat by aligning the plastic grommet(s) with the retention hook(s) protruding from the vehicle floor. If necessary, rotate the grommet(s) in the mat to align it with the retention hook.</p>	

Genuine Accessories

3		
		
N O T E	<p>NOTE: Some vehicles may not have rear retention hook(s) protruding from the vehicle floor.</p> <p>A. Place the All Weather Floor Mat Grommet(s) over the vehicle Retention Hook(s) and push down to lock into place.</p> <p>B. Repeat steps 2 - 3 to install the passenger side All Weather Floor Mat.</p> <p>C. If rear mats are included in the set, repeat steps 2 - 3 to install the rear All Weather Floor Mat(s). Rear retention hooks are included on some models.</p>	

4		
		
N O T E	<p>A. Place the Installation Instructions into the vehicle Glove Box after completion of the All Weather Floor Mats installation.</p>	