

Genuine Accessories



Vehicle Model: Kona
Model Year: 2018-
Part No.: J9F21 AC000
Language: English
Rev. Date: 4/30/2018

Accessory: Roof Crossbar
Difficulty: (A)

Note: Difficulty stated above reflects the minimum level of expertise required to install the accessory:
 (A) Customer
 (B) Dealer Technician
 (C) Master Technician or Specialist

Instructional Symbols / Definitions

	Denotes warnings that may lead to serious physical injury or vehicle damage		Denotes quality processes to be checked prior to moving to the next step	Denotes personal protective equipment (PPEs) that may be required for a step. Examples of safety equipment icons noted below:	
	Denotes cautions to be taken to avoid physical injury or electronic component damage		Denotes specific tools that are necessary to complete a step		
	Denotes cautions to be taken to avoid vehicle and component damage	N O T E	Denotes important information to be reviewed during the step		
				Glasses	Gloves
				Mask	Hearing Protection

Basic Required Tools

Clean Water	Clean Cloth	Step Ladder	Gloves	Goggles	Torque Wrench	5mm Hex Socket

Part Weight (Gross)

8.64	lbs
3.92	kg

FMVSS 110 Compliance Information

All dealers must determine if the weight they have added in the form of all options or accessories, when added to the weight of all Port/Dealer Installed options or accessories, exceeds the lesser of 1.5% of GVWR or 100 lbs. If the additional weight does exceed the lesser of the indicated thresholds, a "Load Carrying Capacity Reduced" label must be installed. A black, fine-point, indelible marker must be used to write by hand onto the label, the reduced carrying capacity in kilograms or pounds, which is the total weight of all added options and accessories.
Load Label Part Number: NP070 - 09003

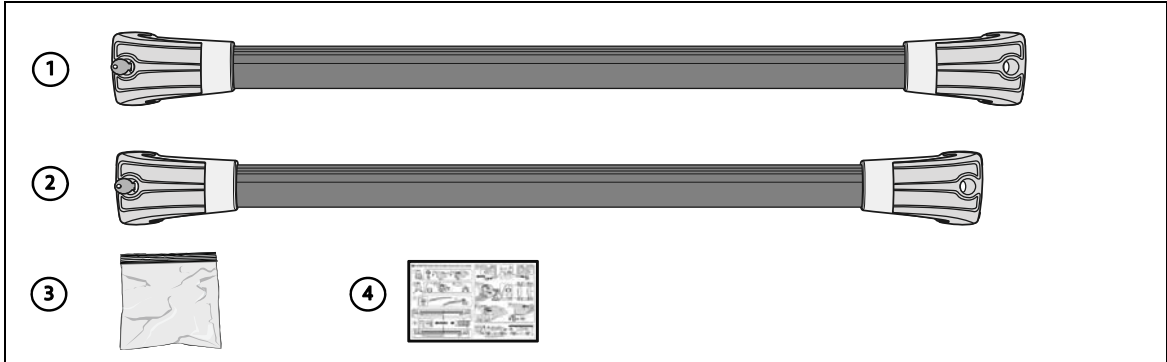
	REGULARLY CHECK THE TIGHTNESS BY PERFORMING A TUG ON THE CROSSBARS. THEY SHOULD NOT MOVE. If crossbars move, see step 5-6 for proper tightening. Incorrect clamp tightness can cause crossbar separation from vehicle resulting in product failure and vehicle damage. Serious physical injury may occur.
	Loads must be evenly distributed and secured.
	Any weight carried on the vehicle will adversely affect its handling particularly in cornering or in a cross wind and the vehicle should therefore be driven with increased caution.
	Only use NON-STRETCH tie down straps. Use of stretch elastic tie downs may cause loss of load, potential serious injury, and vehicle damage.

Notes to the Installer:

- 1) Read the entire installation instructions prior to beginning the installation of this accessory.
- 2) Make sure the vehicle is completely clean before the accessory is installed.
- 3) Ensure the vehicle is properly protected in the area(s) that the accessory is to be installed.
- 4) To prevent vehicle damage, never place tools on top of painted surfaces, seats, dash pad, console or floor carpet/mats.
- 5) Always wear appropriate safety gear to include gloves and safety glasses when required.
- 6) Confirm correct Crossbar Kit P/N with vehicle roof type application before installing.


Genuine Accessories

Kit Overview




No.	Qty	Description	No.	Qty	Description
1	1	Front Roof Crossbar and Key	3	1	Hardware Bag
2	1	Rear Roof Crossbar and Key	4	1	Quick Reference Guide

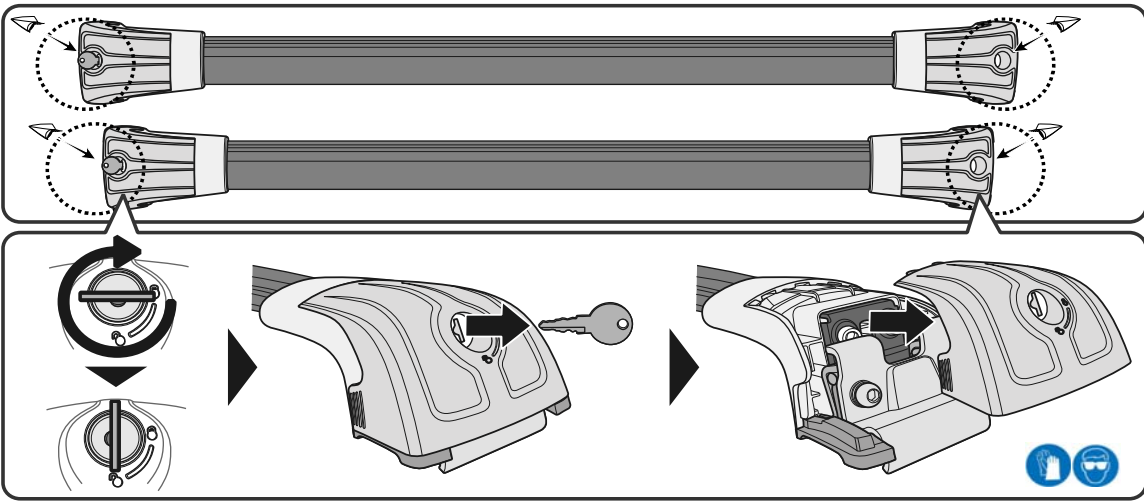
Hardware Kit Contents

A	
1	5mm Hex Key

Hardware Kit Total
1

Genuine Accessories


1 

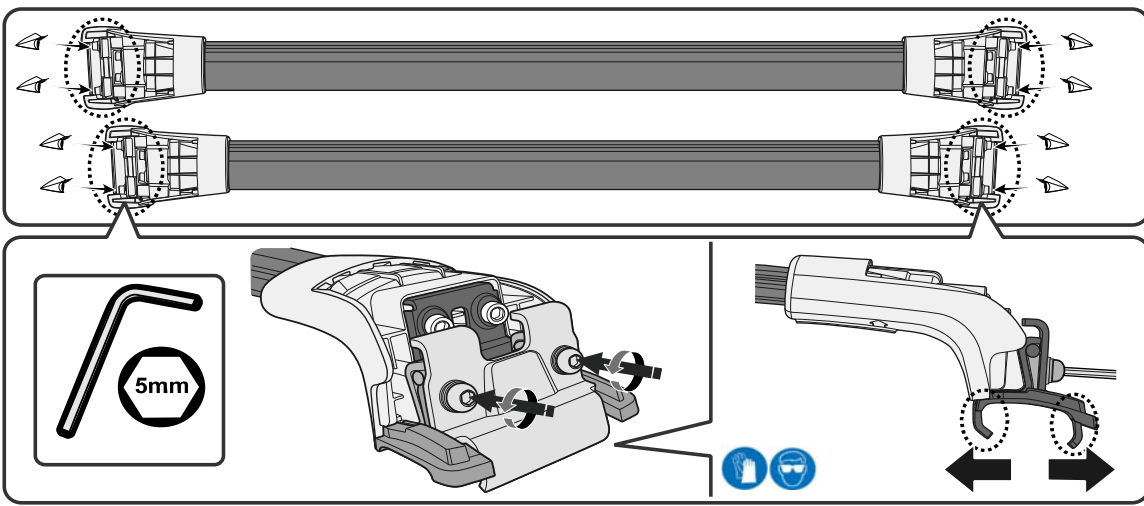


NOTE

- A. Turn the key clockwise to unlock the cover.
- B. Take the key out from the keyhole.
- C. Remove the roof crossbar covers as shown.

※ Please be careful not to lose your keys and roof crossbar covers.



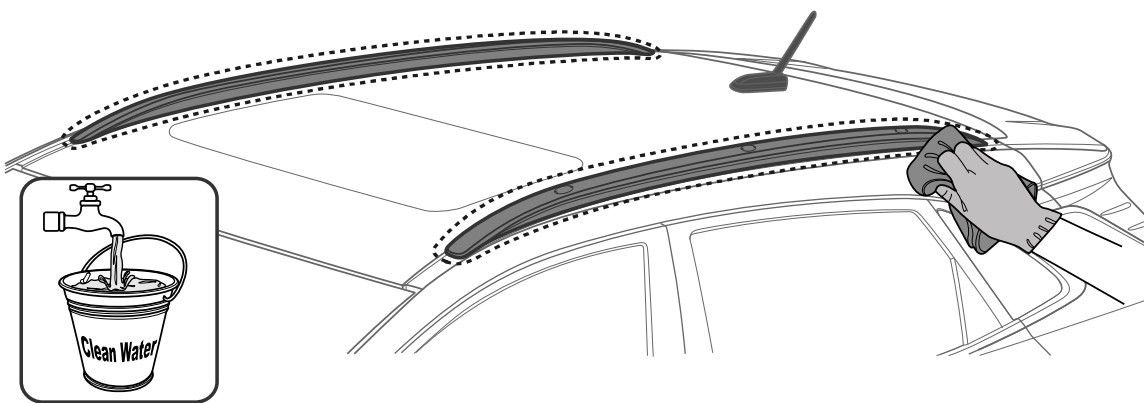
2  5mm Hex Key


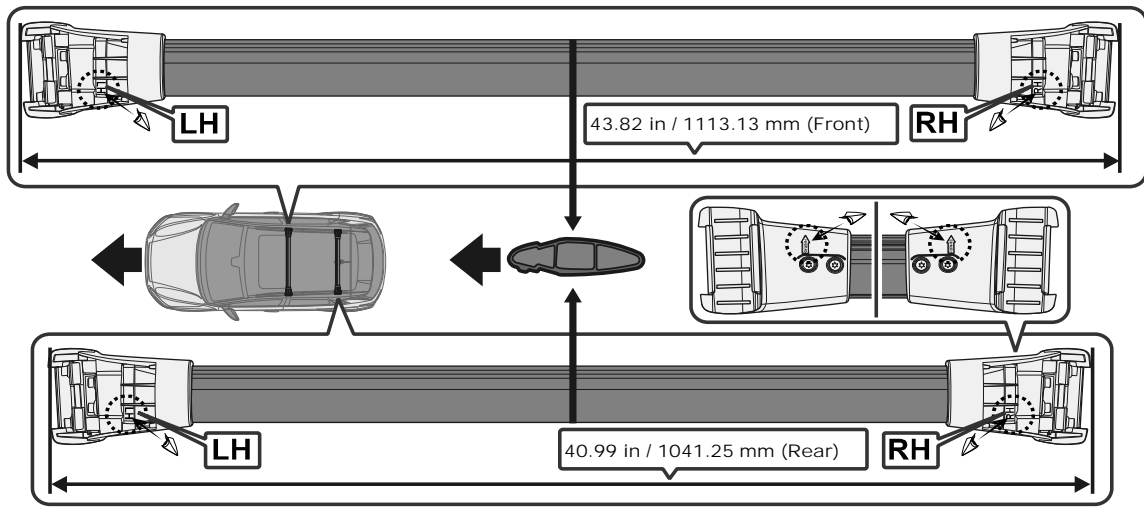



NOTE

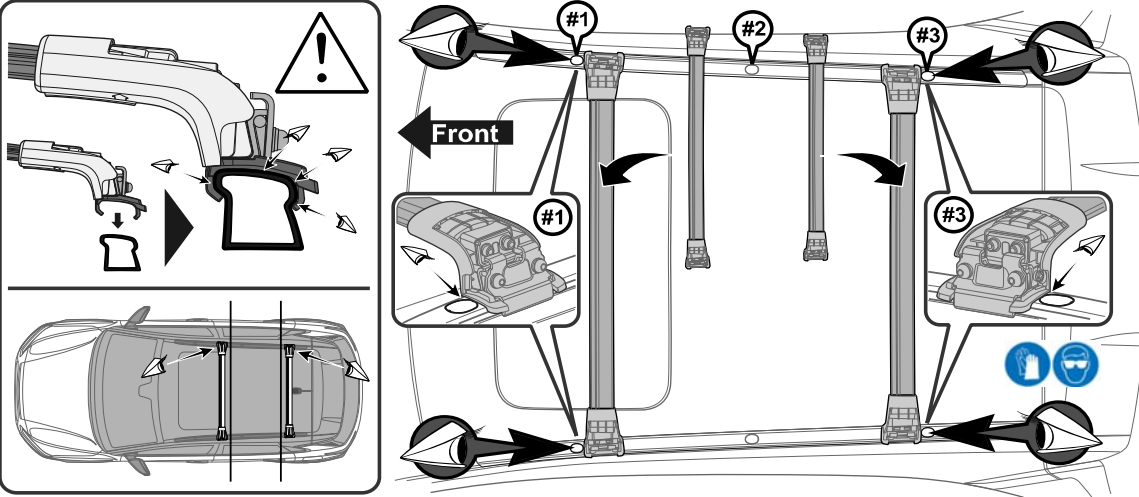
- A. Using the 5mm hex key, loosen the bolts and clamps of the roof crossbar.

※ Please be careful not to take bolts out.

3		Clean Water, Clean Cloth and Step Ladder
		
		
N O T E	<p>A. Clean the vehicle Roof Rails with Clean water as shown in the highlighted area.</p>	

4		
		
N O T E	<p>A. Before mounting the roof crossbars on the vehicle, check the mounting direction / location of the front and the rear crossbars.</p> <p>※ The front crossbar is wider than rear.</p>	


5  5mm Hex Key and Step Ladder

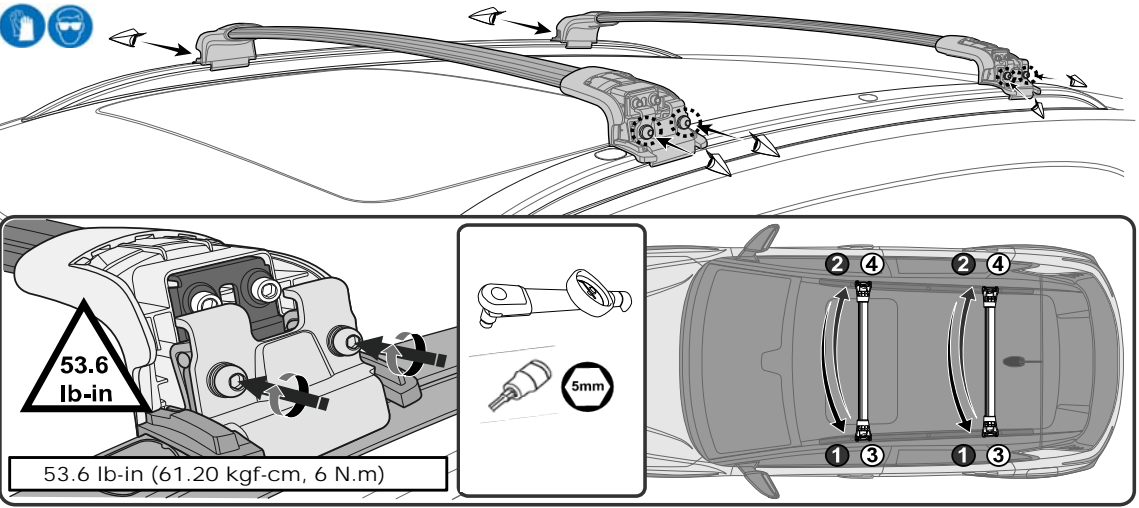


NOTE

- A. Place the roof crossbars on the vehicle side rails.
- B. Loosen the clamps of the roof crossbars to match the shape of the vehicle roof rails.
- C. Position the front crossbar behind the #1 hole cap position as shown above.
- D. Position the rear crossbar in front of the #3 hole cap position as show above.

※ Keep the front roof crossbar and rear roof crossbar parallel to each other.


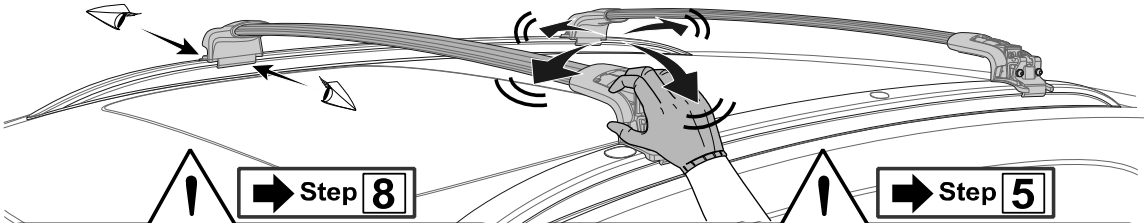


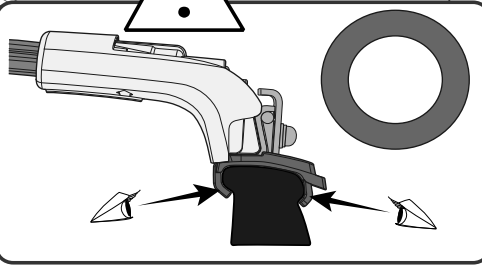
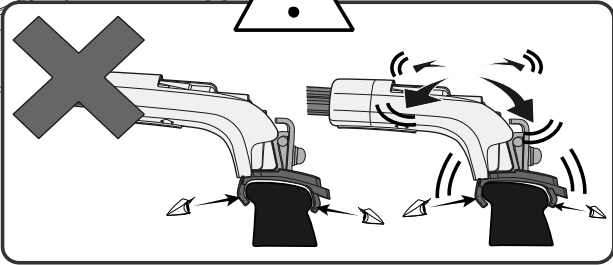
6  Torque Wrench, 5mm Hex Socket and Step Ladder


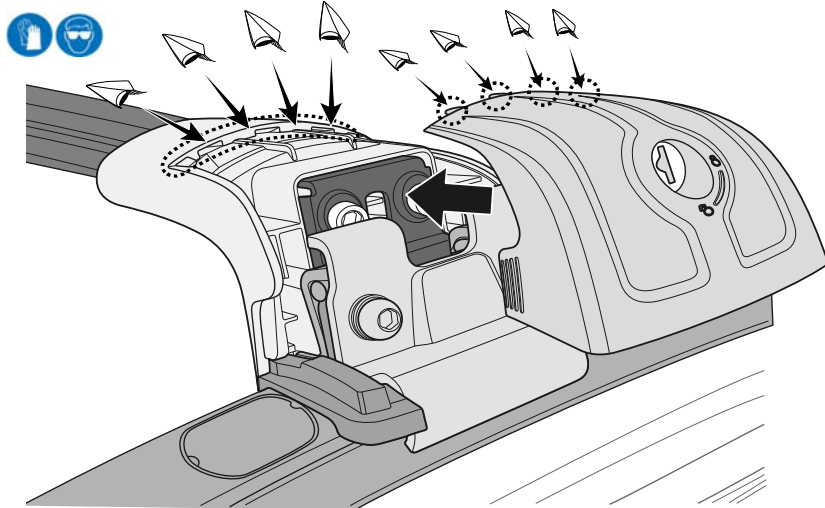
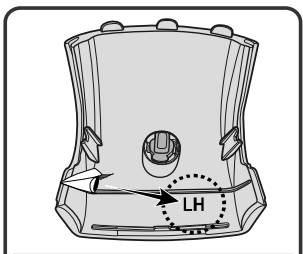
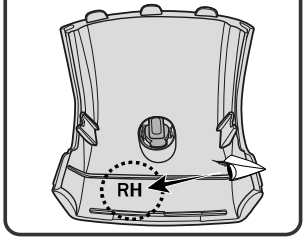



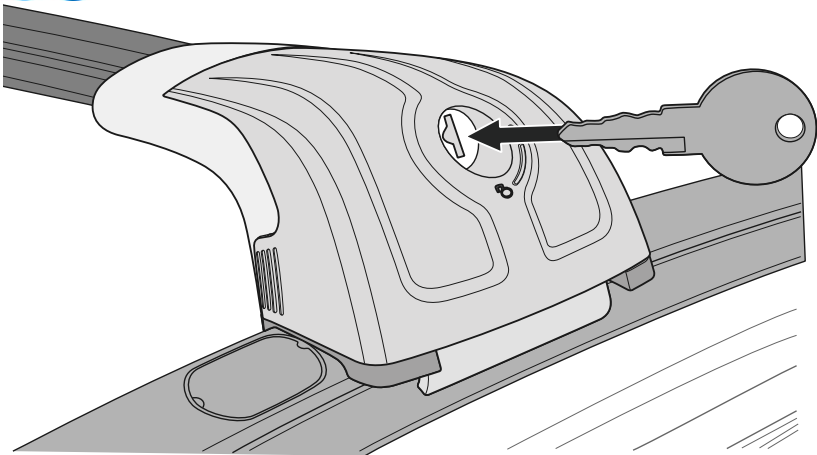
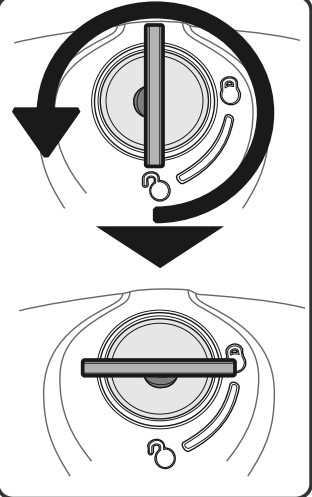
NOTE


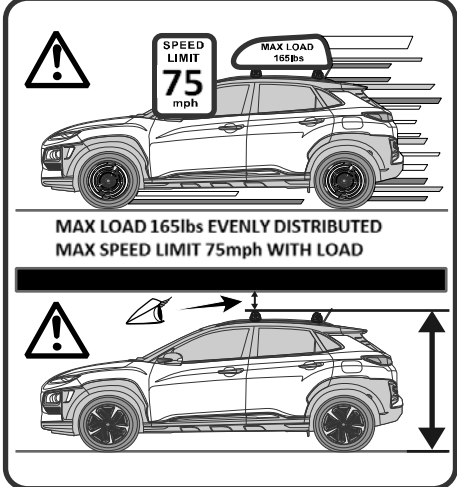
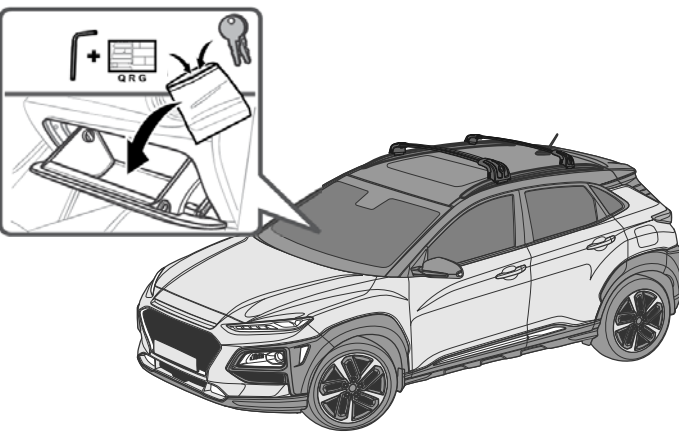
- A. Using the Torque Wrench with a 5mm Hex Socket, tighten the bolts of the roof crossbar alternately. The reference torque value is 53.6 lb-in (61.20 kgf-cm, 6 N.m).

※ Please tighten the right and left sides alternately.

7		Step Ladder
		
<div style="display: flex; justify-content: space-around; align-items: center;"> <div style="border: 1px solid black; padding: 5px; text-align: center;">  Step 8 </div> <div style="border: 1px solid black; padding: 5px; text-align: center;">  Step 5 </div> </div>		
<div style="display: flex; justify-content: space-around;"> <div style="border: 1px solid black; padding: 10px; width: 45%;">  </div> <div style="border: 1px solid black; padding: 10px; width: 45%;">  </div> </div>		
NOTE	<p>A. Hold each crossbar by hand and make sure each clamp is fully locked onto the roof rails and tight.</p> <p>※ If there is a problem with mounting the roof crossbar, Please return to step 5 and check again.</p>	




8		Step Ladder
		
<div style="display: flex; justify-content: space-around; align-items: center;"> <div style="border: 1px solid black; padding: 10px; width: 45%;">  <p style="text-align: center;">LH</p> </div> <div style="border: 1px solid black; padding: 10px; width: 45%;">  <p style="text-align: center;">RH</p> </div> </div>		
NOTE	<p>A. Assemble the roof crossbar covers as shown.</p> <p>※ Please check which cover is LH or RH inside the roof crossbar cover and install accordingly.</p>	

9		Step Ladder
<div style="display: flex; justify-content: space-between; align-items: center;"> <div style="width: 60%;">  </div> <div style="width: 35%; border: 1px solid black; padding: 5px;">  </div> </div>		
N O T E	<p>A. Insert the key into the keyhole of the roof crossbar cover. B. Turn the key counterclockwise to lock it. C. Take the key out from the keyhole and store in glove box.</p> <p>※ Please be careful not to lose your keys. ※ When removing the roof crossbars, turn key clockwise.</p>	



10		
<div style="display: flex; justify-content: space-between; align-items: center;"> <div style="width: 45%; border: 1px solid black; padding: 5px;">  </div> <div style="width: 50%;">  </div> </div>		
N O T E	<p>A. Installation is complete. B. Place crossbar keys, 5mm hex key and quick reference guide (QRG) in glove box.</p> <p>※ Do not exceed 165lbs weight on crossbars. ※ Do not drive vehicle over 75mph with load attached to crossbars. ※ Please check the height of the vehicle when you drive under tunnels or parking lots with low bridges with the roof crossbars installed.</p>	

Genuine Accessories

HYUNDAI Genuine Accessories Function Check

Items To Be Checked	Results Of The Check
 Verify the clamps are fully seated onto side rails and tight.	Clamps are fully seated and tight.
 Ensure the crossbars are in a locked position and do not jiggle or rattle. Firmly grab crossbar and wiggle in forward / rearward and upward / downward motions. No movement should occur.	Crossbars are secure and clamps fully tightened.
 Ensure crossbar covers are fully seated and locked in position.	Crossbar covers are locked in place and not loose.

Visual Check

Items To Be Checked	Results Of The Check
 Verify front crossbar is behind the #1 hole cap position and the rear crossbar in front of the #3 hole cap position.	Crossbars are in correct position.
 Verify bag containing crossbar keys, 5mm hex key and quick reference guide (QRG) is in glove compartment.	Bag is placed in glove compartment.

