

# Genuine Accessories



Vehicle Model: **Kona**

Model Year 2018-  
 Part No. J9F61 AU000 (DIO)  
J9F61 AU600 (PIO)  
 Language English  
 Rev. Date 8/21/2018

Accessory: **Bicycle Rack Mount**

Difficulty: ( B )

**Note:** Difficulty stated above reflects the minimum level of expertise required to install the accessory:  
 (A) Customer  
 (B) Dealer Technician  
 (C) Master Technician or Specialist

## Instructional Symbols / Definitions

	Denotes warnings that may lead to serious physical injury or vehicle damage		Denotes quality processes to be checked prior to moving to the next step	Denotes personal protective equipment (PPEs) that may be required for a step. Examples of safety equipment icons noted below:	
	Denotes cautions to be taken to avoid physical injury or electronic component damage		Denotes specific tools that are necessary to complete a step		
	Denotes cautions to be taken to avoid vehicle and component damage	<b>N O T E</b>	Denotes important information to be reviewed during the step		
				Glasses	Gloves
				Mask	Hearing Protection

## Basic Required Tools

Ratchet	Torque Wrench	11/16" Socket	10mm Socket	Extension
Yellow or White Paint Pen	Diagonal Cutters	Looped Wire	Clip Removal Tool	Flat Screwdriver

## Specialty Required Tools

Vehicle Lift	Exhaust Hanger Removal Tool

## Part Weight (Gross)

<b>31.91</b>	lbs
<b>14.47</b>	kg

## FMVSS 110 Compliance Information

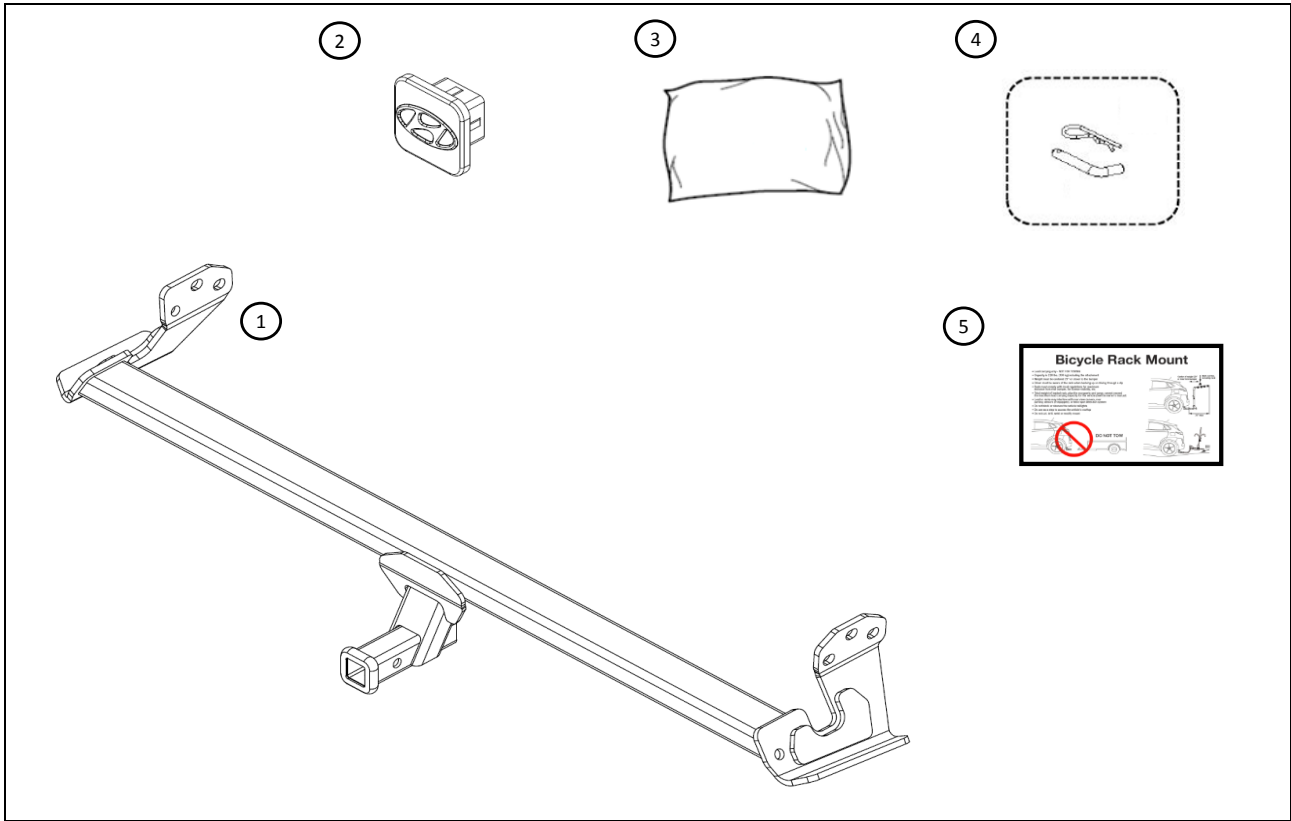
All dealers must determine if the Net weight they have added in the form of all options or accessories, when added to the weight of all Port/Dealer Installed options or accessories, exceeds the lesser of 1.5% of GVWR or 100 lbs. If the additional weight does exceed the lesser of the indicated thresholds, a "Load Carrying Capacity Reduced" label must be installed. A black, fine-point, indelible marker must be used to write by hand onto the label, the reduced carrying capacity in kilograms or pounds, which is the total weight of all added options and accessories.  
**Load Label Part Number: NP070 - 09003**

## Notes to the installer:

- 1) Read the entire Installation Instructions prior to beginning the installation of this accessory.
- 2) Make sure the vehicle is completely clean and dry in the area(s) the part is to be installed.
- 3) Ensure the vehicle is properly protected in the area(s) that the accessory is to be installed.
- 4) NEVER place tools on painted surfaces, seating surfaces, dash pad, console or floor carpet/mats.
- 5) Always wear appropriate personal protective equipment, including gloves, safety glasses, etc., when required.
- 6) Roll down the driver's window and adjust the power seats (if applicable) prior to disconnecting battery power, if needed.


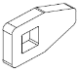
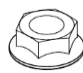


# Genuine Accessories

## Kit Overview



No.	Qty	Description
1	1	Bicycle Rack Mount
2	1	Receiver Plug
3	1	Hardware Bag
4	1	Pin & Clip
5	1	Quick Reference Guide (QRG)


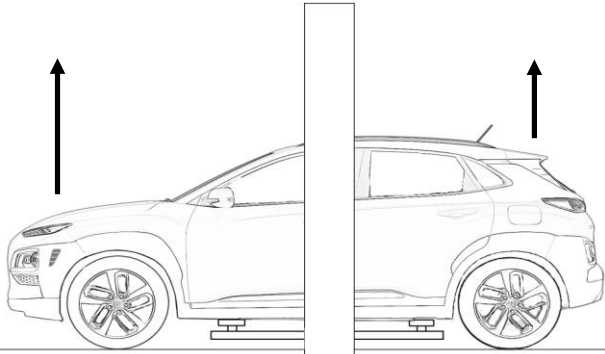


## Hardware Overview


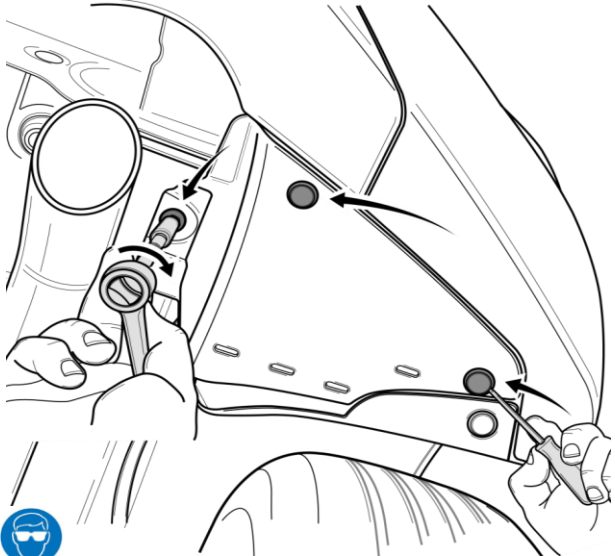

A		B		C		D		E	
6	7/16"-14x1.25" Carriage Bolt	6	Spacer	6	7/16" Hex Flange Nut	7	7/16" Fish Wire *	2	8" Cable Tie


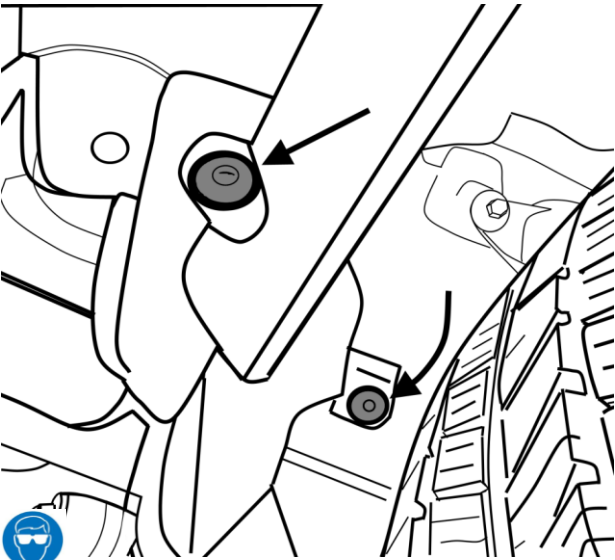

\* Indicates extra components intentionally included in kit as spares.  
Follow instructions for proper placement of each component.


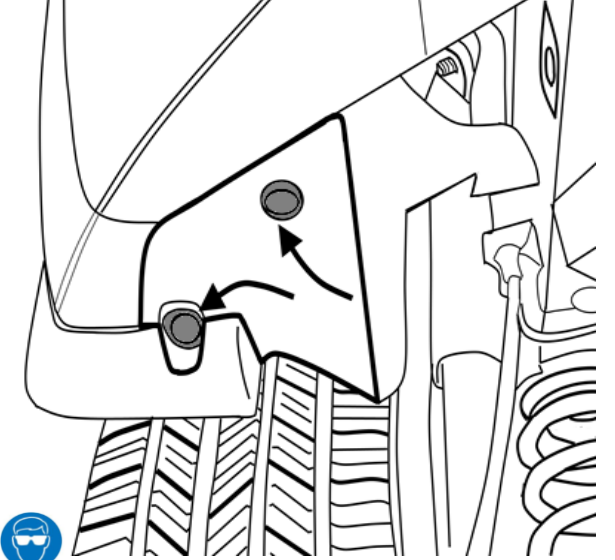

Hardware Total
27

# Genuine Accessories


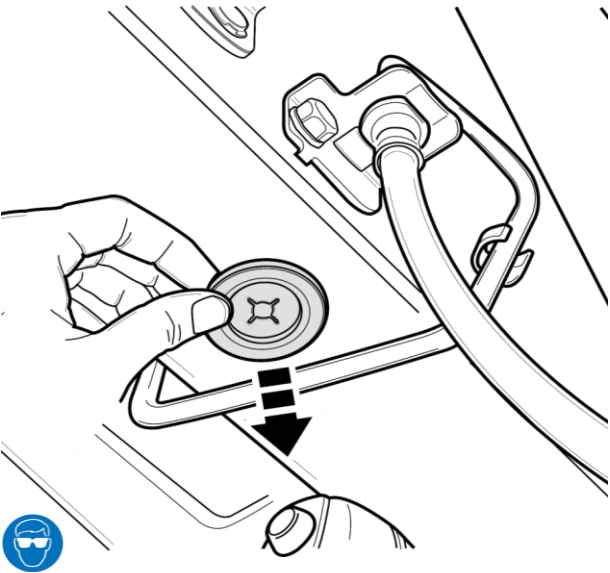
1		Vehicle Lift
		
		
N O T E	<p>A. Position vehicle on a vehicle lift and raise to gain access to the undercarriage near the rear bumper.</p>	
 <p>Ensure that the vehicle is lifted in a level manner and is properly balanced between the forward and aft of the vehicle. Failure to follow all precautions could result in serious or fatal injury.</p>		


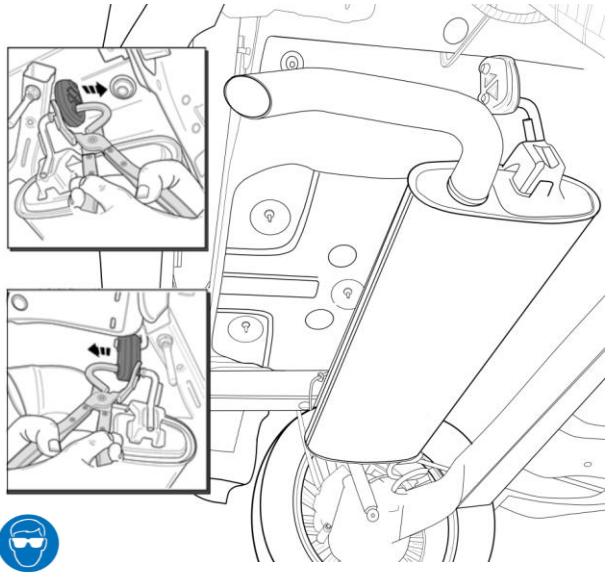
2		Ratchet, Extension, 10mm Socket, Clip Removal Tool
		
		
N O T E	<p>A. Starting at the passenger side rear bumper area, remove the two (2) plastic clips, as shown, using a clip removal tool.          B. Using a ratchet, extension and 10mm socket, remove one (1) nut, as shown.          C. Dislodge and remove the one (1) passenger side plastic cover.          D. Store the removed parts in a safe location for reinstallation.</p>	


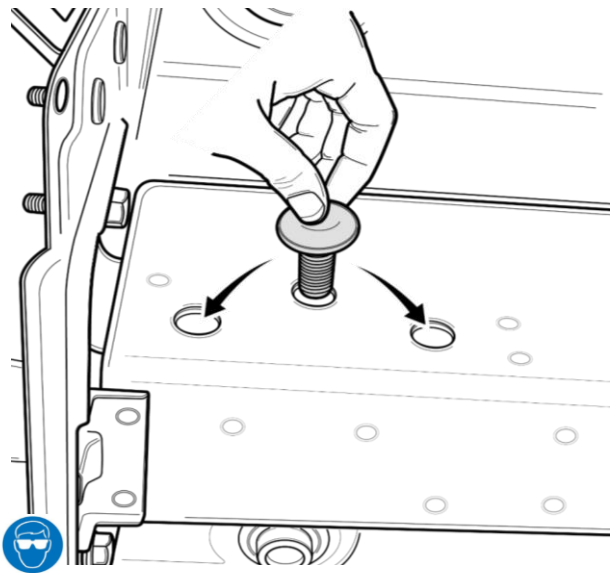
3		Clip Removal Tool
		
		
N O T E	<p>A. Using a clip removal tool, remove the two (2) plastic clips from the passenger side mud guard (if equipped), and wheel liner.          B. Do not remove the mud guard (if equipped), or wheel liner.          C. Store the removed clips in a safe location for reinstallation.</p>	


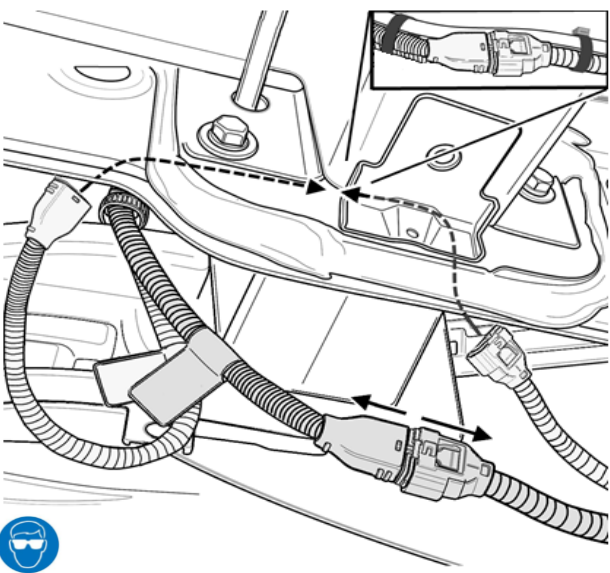
4		Clip Removal Tool
		
		
N O T E	<p>A. Using a clip removal tool, remove the two (2) plastic clips from the driver side mud guard (if equipped), and wheel liner.          B. Do not remove the mud guard (if equipped), or wheel liner.          C. Store the removed clips in a safe location for reinstallation.</p>	

# Genuine Accessories


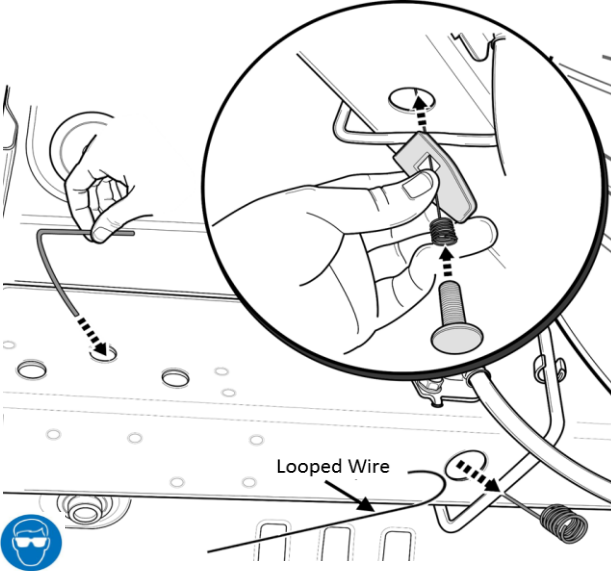
5		
		
N O T E	<p>A. Remove one (1) rubber plug out of each access hole in the bottom of the driver and passenger side frame rails.</p> <p>B. Store the removed parts in a safe location for reinstallation.</p>	


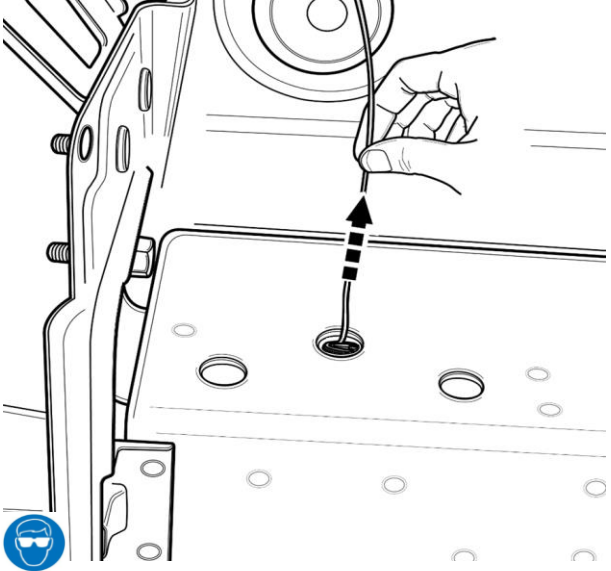

6		Exhaust Hanger Removal Tool
		
N O T E	<p>A. Lower exhaust by dislodging two (2) rubber hangers, using an exhaust hanger removal tool.</p>	
		<p>Caution: Make sure the muffler and exhaust tip(s) are cold.</p>


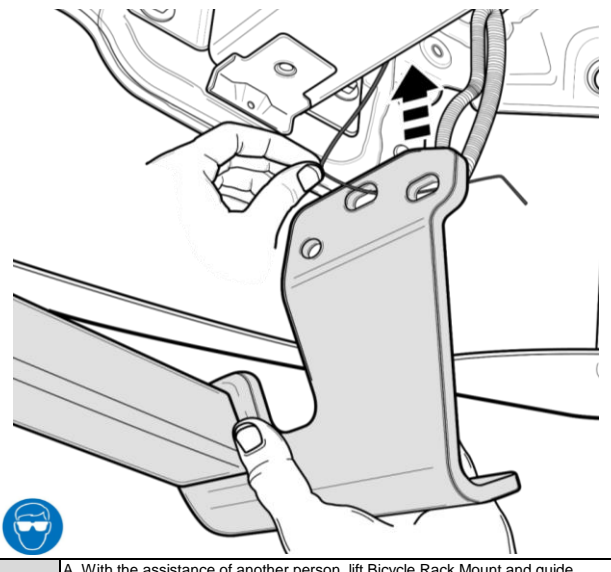

7		
		
N O T E	<p>A. Test insert the carriage bolt through three (3) mounting locations on the outside of each frame rail to ensure there are no obstructions.</p> <p>B. If needed, scrape the inner side(s) of the hole(s) with the clip removal tool to allow hardware to pass through freely.</p>	


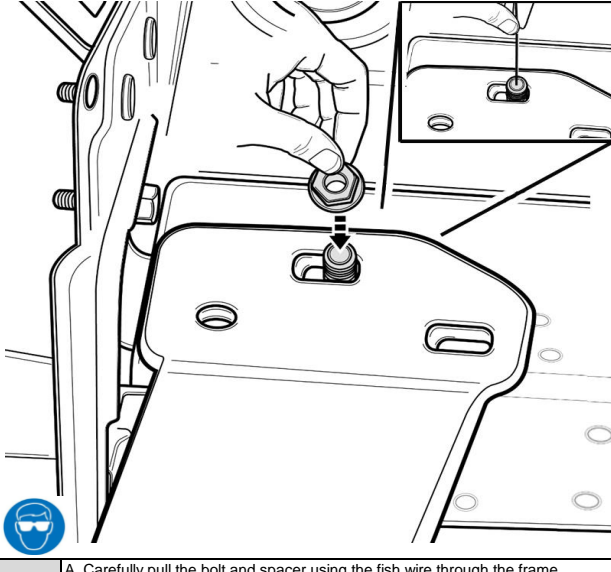

8		Diagonal Cutters
		
N O T E	<p>A. Unfasten electrical wire harness from underneath the driver side bumper beam.</p> <p>B. Unplug connector halves.</p> <p>C. Re-route the connectors over the bumper beam &amp; reconnect as shown.</p> <p>D. Secure the harness using two (2) cable ties to nearest vehicle electrical harness. Place one (1) cable tie on each side of the connector as shown.</p> <p>E. Clip ends of cable ties.</p>	
		<p>- Ensure the connector is fully re-engage together after re-routing them above the bumper beam.</p> <p>- Ensure the wires are not stressed at the connector after reinstallation.</p> <p>- Visually confirm that harness does not interfere with the BSD sensor.</p>

# Genuine Accessories

9		Looped Wire
		
NOTE	<p>A. Push coiled end of fish wire in through top center mounting location in the passenger side frame rail.</p> <p>B. Route coil end of fish wire to access hole.</p> <p>C. Pull coil end of fish wire out access hole in bottom of frame rail using a looped wire.</p> <p><b>NOTE:</b> Use of a looped wire can aid in the removal of the fish wire lead out of the bottom of the frame rail.</p> <p>D. Pull fish wire through spacer and thread carriage bolt fully onto fish wire.</p>	

10		
		
NOTE	<p>A. Carefully pull the hardware through the frame and through the mounting hole.</p> <p>B. Leave hardware inside frame rail with the fish wire attached.</p> <p>C. Repeat step 9 and A through B above for the top center mounting location in the driver side frame rail.</p> <p><b>NOTE:</b> If hardware is dropped inside the frame rail, refer to the Troubleshooting section at the end of these instructions.</p>	
 Use caution to not let hardware drop into frame.		

11		
		
NOTE	<p>A. With the assistance of another person, lift Bicycle Rack Mount and guide fish wires through the top hole on both driver and passenger sides as shown.</p> <p>B. Continue to lift the Bicycle Rack Mount into position and guide the wires through the holes.</p>	
 Carefully route the fish wire through the Bicycle Rack Mount ensuring the fish wire lead does not pinch excessively.		

12		Flat Screwdriver
		
NOTE	<p>A. Carefully pull the bolt and spacer using the fish wire through the frame and Bicycle Rack Mount.</p> <p>B. Once the bolt is pulled through the Bicycle Rack Mount, carefully remove fishwire from driver side &amp; thread one (1) 7/16" flange nut onto bolt.</p> <p><b>NOTE:</b> Use the weight of the Bicycle Rack Mount to hold hardware in place after fish wire is removed. A flat screwdriver may be used if needed to hold the hardware in place. Do not lift or move Bicycle Rack Mount when bolt has no nut or fish wire attached. Only remove one fish wire at a time.</p> <p>C. Repeat this step on opposite side.</p> <p><b>NOTE:</b> If hardware is dropped inside the frame rail, refer to the Troubleshooting section at the end of these instructions.</p>	
 Use caution to not let hardware drop into frame. Ensure flange on nut is against Bicycle Rack Mount mounting plate.		

## Genuine Accessories


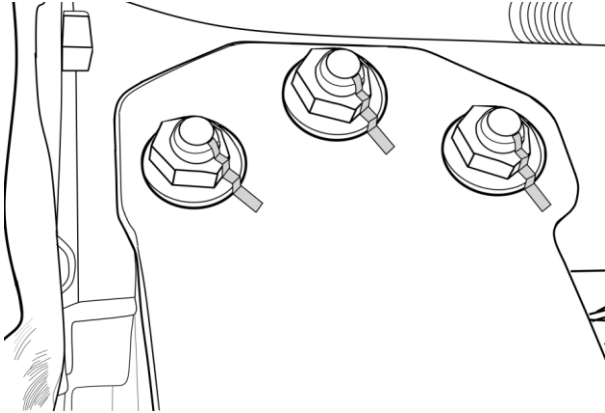

13		<b>Looped Wire</b>
	<p><b>NOTE</b></p> <p>A. Push coiled end of fish wire in through the bottom rear most mounting hole on outside of driver side frame rail and Bicycle Rack Mount.</p> <p>B. Pull coil end of fish wire out access hole using looped wire.</p> <p>C. Pull fish wire through spacer &amp; thread carriage bolt fully onto wire.</p> <p>D. Pull hardware into position through mounting hole and Bicycle Rack Mount. Ensure hardware is fully pulled through spacer and frame.</p> <p>E. Carefully remove fish wire &amp; thread one (1) 7/16" flange nut onto bolt.</p> <p><b>NOTE:</b> If hardware is dropped inside the frame rail, refer to the Troubleshooting section at the end of these instructions.</p>	
	<p>Use caution to not let hardware drop into frame. Ensure flange on nut is against Bicycle Rack Mount mounting plate.</p>	


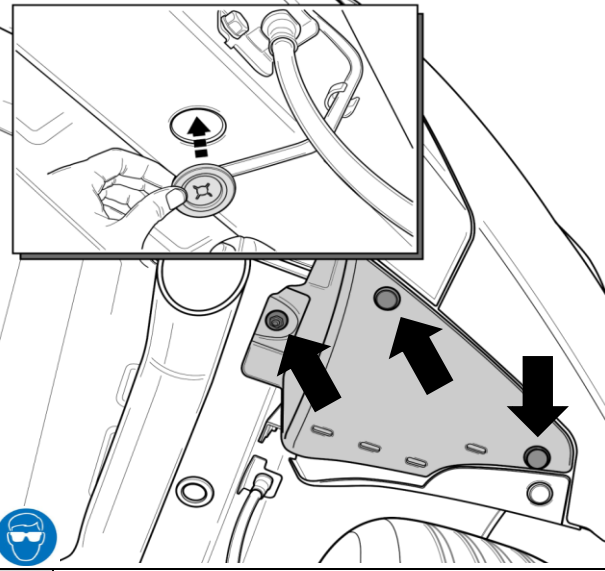

14		
	<p><b>NOTE</b></p> <p>A. Repeat step 13 on forward lower mounting location in driver side frame rail.</p> <p><b>NOTE:</b> If hardware is dropped inside the frame rail, refer to the Troubleshooting section at the end of these instructions.</p>	
	<p>Use caution to not let hardware drop into frame. Ensure flange on nut is against Bicycle Rack Mount mounting plate.</p>	


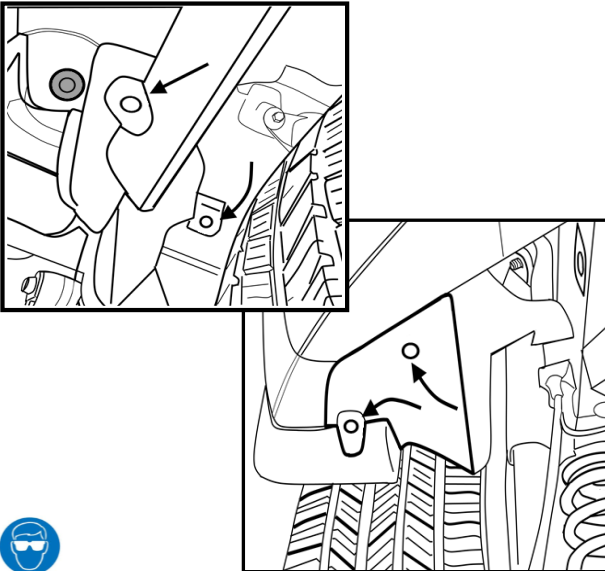

15		
	<p><b>NOTE</b></p> <p>A. Repeat step 13 and 14 on passenger side.</p> <p><b>NOTE:</b> If hardware is dropped inside the frame rail, refer to the Troubleshooting section at the end of these instructions.</p>	
	<p>Use caution to not let hardware drop into frame. Ensure flange on nut is against Bicycle Rack Mount mounting plate.</p>	


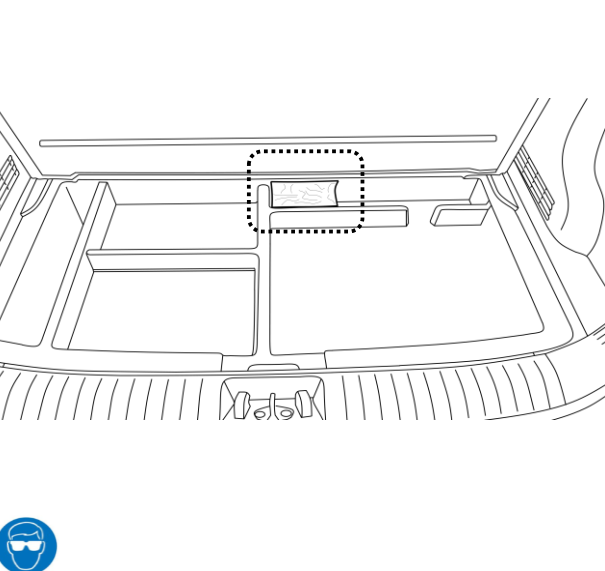

16		<b>Ratchet, Torque Wrench, 11/16" Socket</b>
	<p><b>NOTE</b></p> <p>A. Starting on the driver side, tighten the three (3) nuts and torque to: <b>80 Nm (8.16 Kgf-m, 59 lbf-ft).</b></p> <p>B. Move to the passenger side, tighten the three (3) nuts and torque to: <b>80 Nm (8.16 Kgf-m, 59 lbf-ft).</b></p>	
	<p>Ensure that the six (6) nuts are correctly torqued to: 80 Nm (8.16 Kgf-m, 59 lbf-ft)</p>	

# Genuine Accessories

17		Yellow or White Paint Pen
		
		
N O T E	<p>A. Mark a line across all six (6) 7/16" nuts and onto the Bicycle Rack Mount using a yellow or white paint pen.</p>	







18		Ratchet, Extension, 10mm Socket
		
		
N O T E	<p>A. Reinstall plugs into access hole removed in step 5.          B. Reinstall the passenger side plastic cover that was removed in step 2.          C. Reinstall the two (2) plastic clips &amp; tightly snug the one (1) nut to secure plastic cover.</p>	

19		
		
		
N O T E	<p>A. Reinstall the two (2) plastic clips onto the passenger side mud guard (if equipped) and wheel liner that were removed in step 3.          B. Reinstall the two (2) plastic clips onto the driver side mud guard (if equipped) and wheel liner that were removed in step 4.</p>	

20		
		
		
N O T E	<p>A. Raise the exhaust back into position and reinstall two (2) rubber hangers back onto their brackets.          B. Insert provided receiver plug into Bicycle Rack Mount.          C. Place Pin &amp; Clip into cargo area under the floor board as shown.          D. Insert the Bicycle Rack Mount Quick Reference Card into the vehicle's glove box.</p>	

## Genuine Accessories

### Visual Check

	Item to be Checked	Result
	Make sure the six (6) 7/16" nuts are torqued to: 80 Nm (8.16 Kgf-m, 59 lbf-ft).	The six (6) 7/16" nuts are torqued to: 80 Nm (8.16 Kgf-m, 59 lbf-ft).
	Make sure the muffler is returned to the original positions with rubber hangers attached.	The muffler is returned to the original positions with rubber hangers attached.
	Make sure the lower plastic cover is reinstalled and all seven (7) fasteners are reinstalled to attach the panel, mud guards (if equipped) and liners.	The lower plastic cover is reinstalled and all seven (7) fasteners are reinstalled to attach the panel, mud guards (if equipped) and liners.
	Make sure rubber grommets are reinstalled.	The rubber grommets are reinstalled.
	Make sure BSD Connector is secured above the Bumper Beam.	The BSD Connector is secured above the Bumper Beam.
	Make sure Quick Reference Card is inserted into the glove box.	The Quick Reference Card is inserted into the glove box.

### Troubleshooting

Issue / Concern	Items to be Checked
Hardware has dropped inside the frame rail.	<ol style="list-style-type: none"> <li>1. Using a Flexible Magnetic Pickup tool, attempt to retrieve hardware through access hole in the bottom of frame rail. If unsuccessful, proceed to the following procedure.</li> <li>2. Refer to the vehicle's shop manual to disassemble and reassemble the rear bumper and rear bumper beam after retrieving the hardware through the rear frame rail opening as shown below.</li> </ol>

