

Genuine Accessories



Vehicle Model: **Santa Fe**

Model Year 2019~

Part No. S2F21 AC500

Language English

Rev. Date 1/2/2019

Accessory: **Crossbars**

Difficulty: (A)

Note: Difficulty stated above reflects the minimum level of expertise required to install the accessory:

- (A) Customer
- (B) Dealer Technician
- (C) Master Technician or Specialist

Electronic Installation Instructions



If this is a printed copy of the installation instructions, ensure you have the latest revision by scanning the QR code or by entering the website address listed below before beginning installation. Use the latest revision date as noted by "Rev. Date" above.

www.hyundaiaccessories.com/admin_media_uploads/installationSheets/s2f21_ac500.pdf

Instructional Symbols / Definitions

	Denotes warnings that may lead to serious physical injury or vehicle damage		Denotes quality processes to be checked prior to moving to the next step	Denotes personal protective equipment (PPEs) that may be required for a step. Examples of safety equipment icons noted below:	
	Denotes cautions to be taken to avoid physical injury or electronic component damage		Denotes specific tools that are necessary to complete a step		
	Denotes cautions to be taken to avoid vehicle and component damage	N O T E	Denotes important information to be reviewed during the step		
				Glasses	Gloves
				Mask	Hearing Protection

Basic Required Tools

Clean Water	Clean Cloth	Step Ladder	Torque Wrench	5mm Hex Socket

Part Weight (Gross)

10.57	lbs
4.79	kg

FMVSS 110 Compliance Information

All dealers must determine if the Net weight they have added in the form of all options or accessories, when added to the weight of all Port/Dealer Installed options or accessories, exceeds the lesser of 1.5% of GVWR or 100 lbs. If the additional weight does exceed the lesser of the indicated thresholds, a "Load Carrying Capacity Reduced" label must be installed. A black, fine-point, indelible marker must be used to write by hand onto the label, the reduced carrying capacity in kilograms or pounds, which is the total weight of all added options and accessories.

Load Label Part Number: **NP070 - 09003**

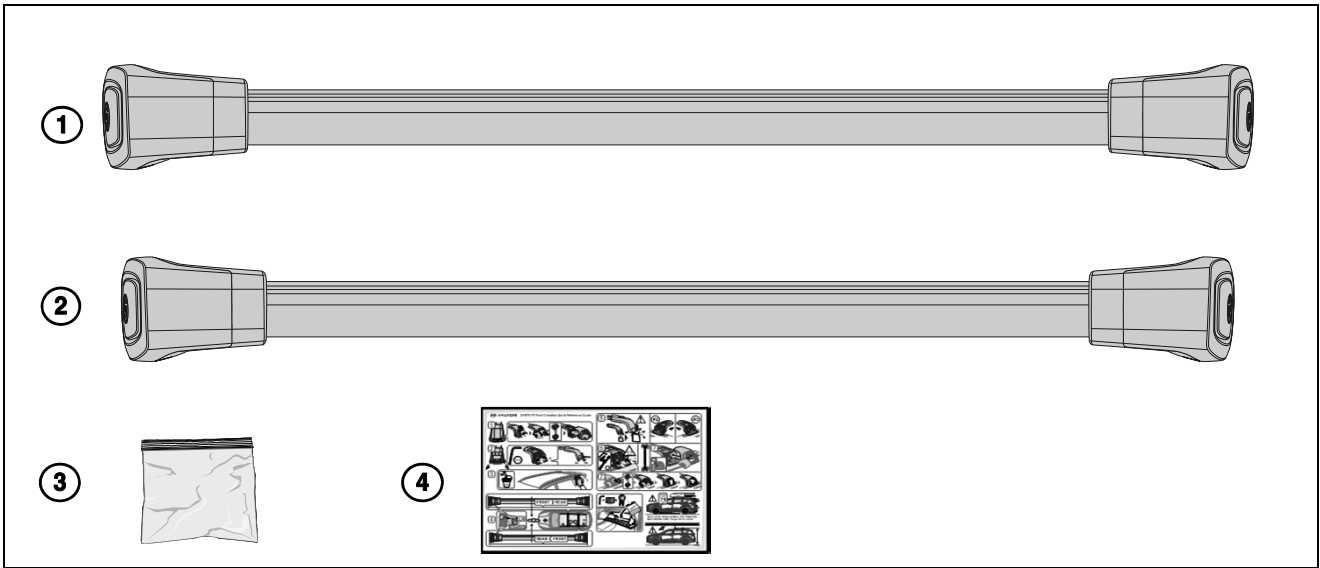
	REGULARLY CHECK THE TIGHTNESS BY PERFORMING A TUG ON CROSSBARS. THEY SHOULD NOT MOVE. If crossbars move, see step 5 & 6 for proper tightening. Incorrect clamp tightness can cause crossbar separation from vehicle resulting in product failure and vehicle damage. Serious physical injury may occur.
	Loads must be evenly distributed and secured.
	Any weight carried on the vehicle on the vehicle will adversely affect its handling particularly in cornering or in a cross wind and the vehicle should therefore be driven with increased caution.
	Only use NON-STRETCH tie down straps. Use of stretch elastic tie downs may cause loss of load, potential serious injury, and vehicle damage.

Notes to the installer:

- 1) Read the entire Installation Instructions prior to beginning the installation of the part.
- 2) Make sure the vehicle is completely clean and dry in the area(s) the part is to be installed.
- 3) Ensure the vehicle is properly protected in the area(s) that the accessory is to be installed.
- 4) NEVER place tools on painted surfaces, seating surfaces, dash pad, console or floor carpet/mats.
- 5) Always wear appropriate personal protective equipment, including gloves, safety glasses, etc., when required.


Genuine Accessories


Kit Overview




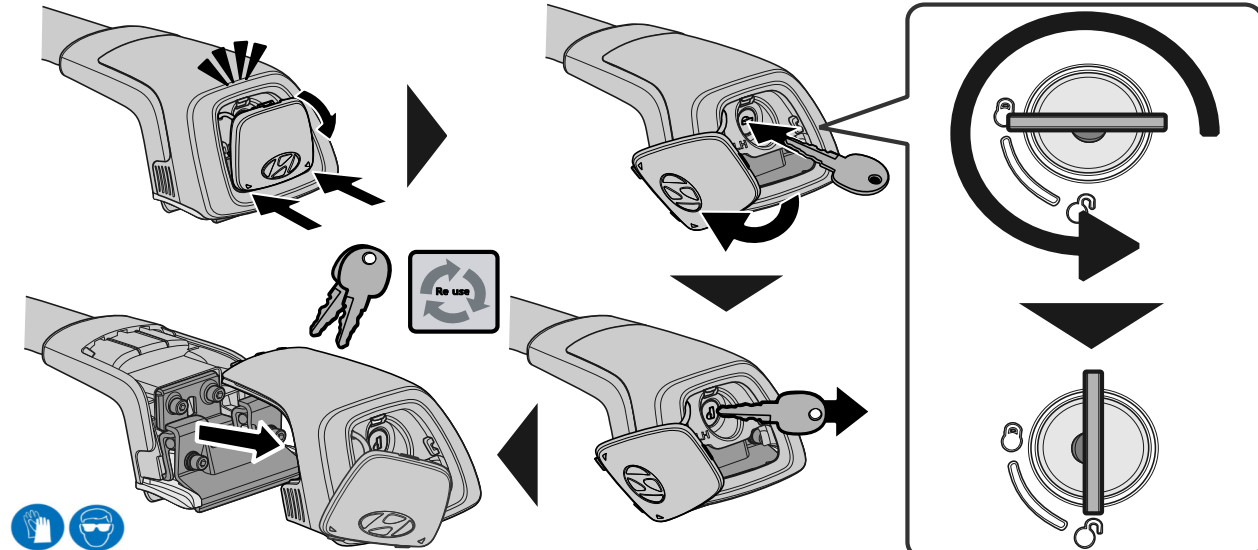
No.	Qty	Description	No.	Qty	Description
1	1	Front Roof Crossbar	3	1	Hardware bag
2	1	Rear Roof Crossbar	4	1	Quick Reference Guide


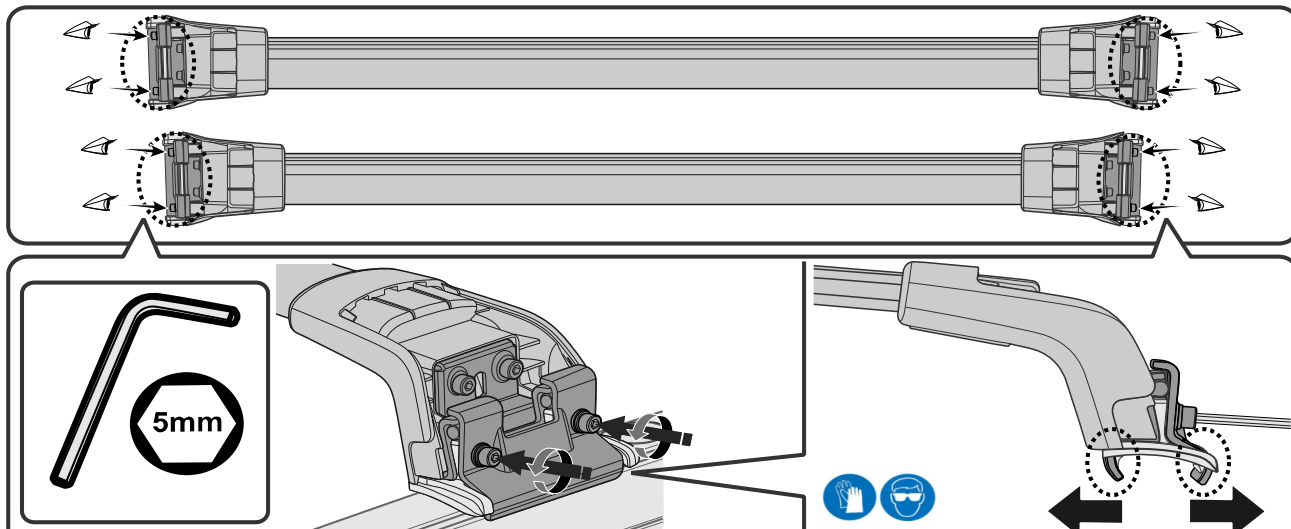
Hardware Kit Contents


A	
	
1	5mm Hex Key

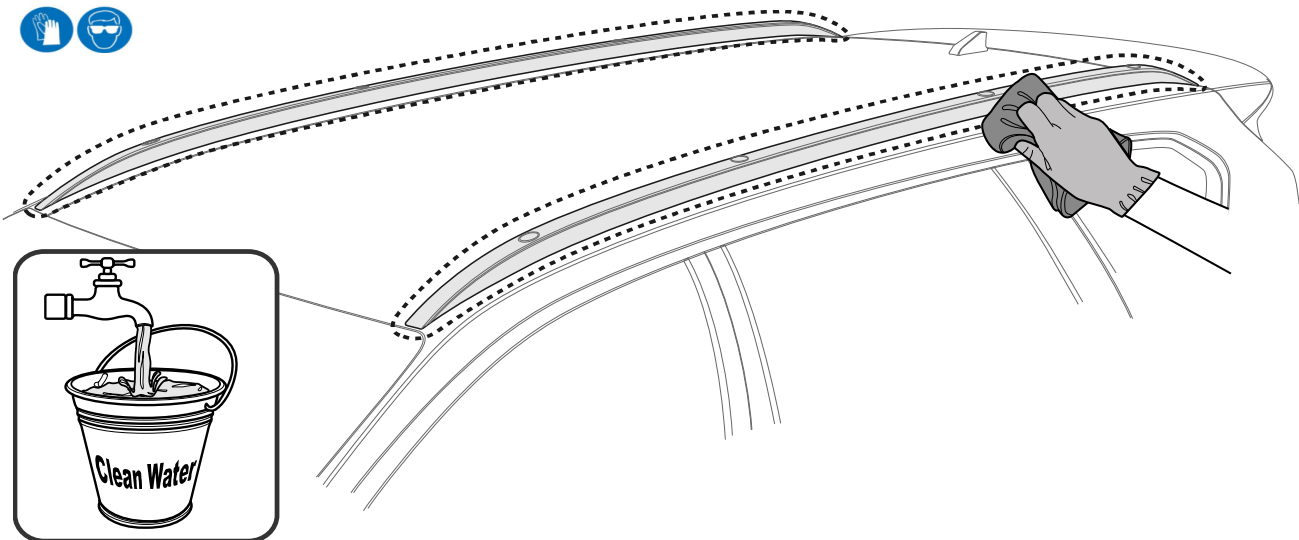
B	
	
2	Keys

Hardware Kit Total
3

1	
	
<p style="writing-mode: vertical-rl; transform: rotate(180deg);">NOTE</p>	<p>A. Apply pressure to the key covers at the two bottom corners, as shown, then pull upper portion outward with finger tip to open and expose the keyhole.</p> <p>B. Insert the Key and turn counterclockwise to unlock the Roof Crossbar covers.</p> <p>C. Remove the Key and Roof Crossbar covers as shown.</p> <p>D. Place Keys and Roof Crossbar covers in a safe location.</p>


2		<p>5mm Hex Key</p>
		
<p style="writing-mode: vertical-rl; transform: rotate(180deg);">NOTE</p>	<p>A. Using the provided 5mm hex key, loosen the bolts and clamps of the roof crossbar.</p> <p>NOTE: Do not take bolts out completely.</p>	

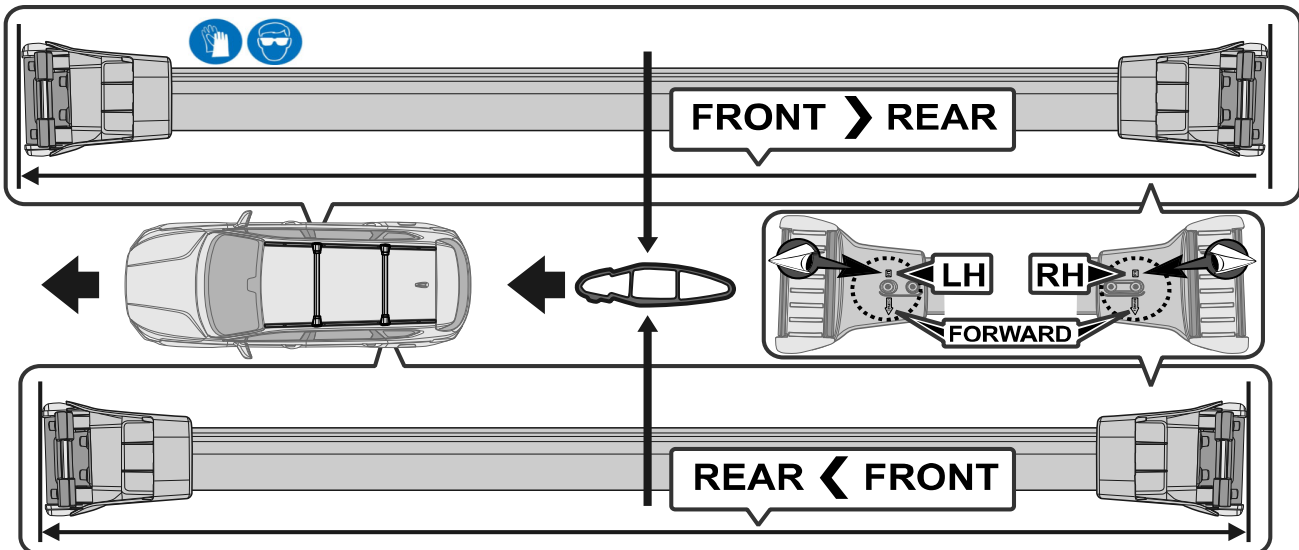
3  Clean Water, Clean Cloth and Step Ladder



NOTE


A. Clean the vehicle Roof Rails with clean water as shown in the highlighted area.

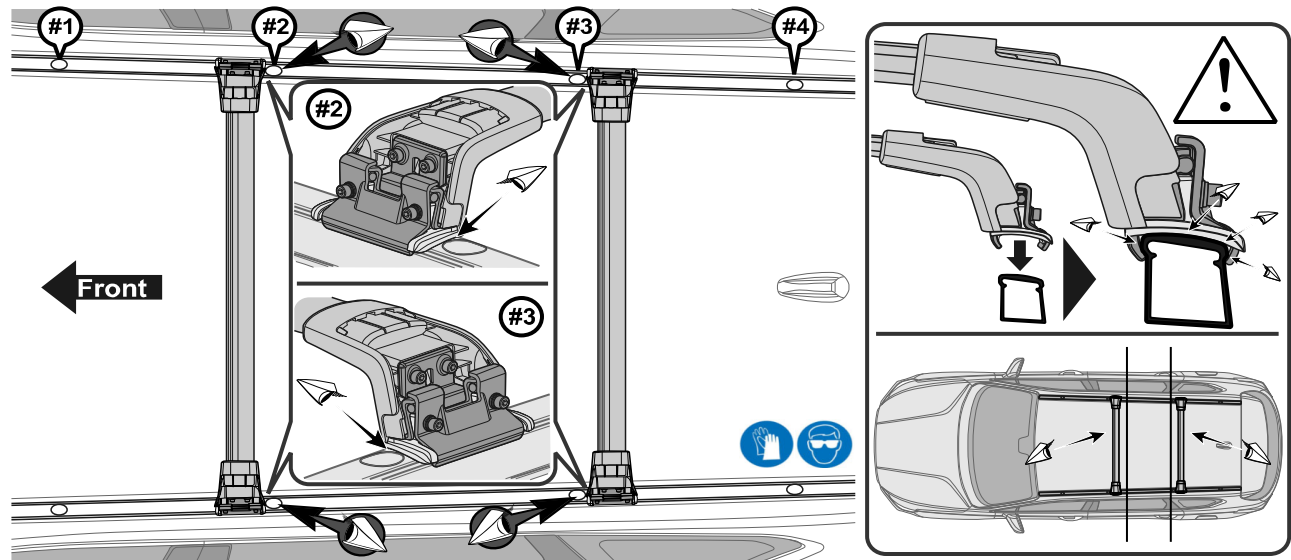
4 



NOTE

A. Before mounting the Roof Crossbars on the vehicle, check the mounting direction / location of the front and the rear Crossbars.
NOTE: The front crossbar is longer than the rear.


5  Step Ladder

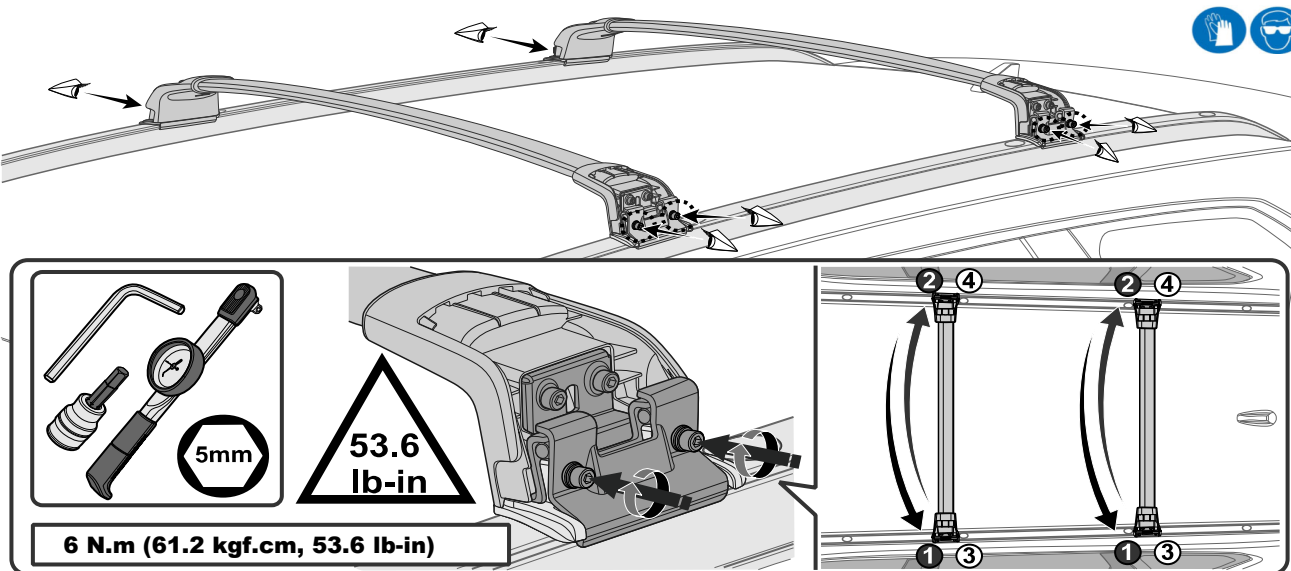


NOTE

- A. Place the Roof Crossbars on the vehicle's side rails.
- B. Loosen the clamps of the Roof Crossbars to match the shape of the vehicle's roof rails.
- C. Position the Front Crossbar in front of the #2 hole cap location as show.
- D. Position the Rear Crossbar behind the #3 hole cap location as shown.


NOTE: Keep the front roof crossbar and rear roof crossbar parallel to each other.

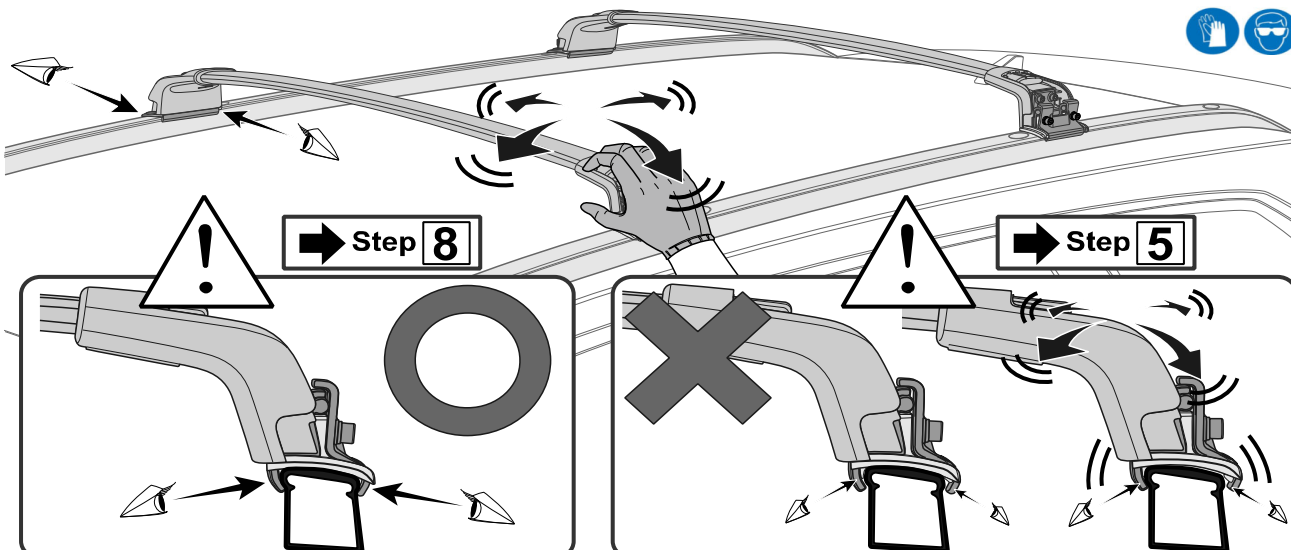
6  5mm Hex Key, Torque Wrench, 5mm Hex Socket and Step Ladder



NOTE


- A. Using the Torque Wrench with a 5mm Hex Socket, tighten the bolts of the Front and Rear Roof Crossbars alternately.
Torque bolts to: **6 N.m (61.2 kgf.cm, 53.6 lb-in)**.
- B. Repeat bolts tightening on opposite side of the vehicle.

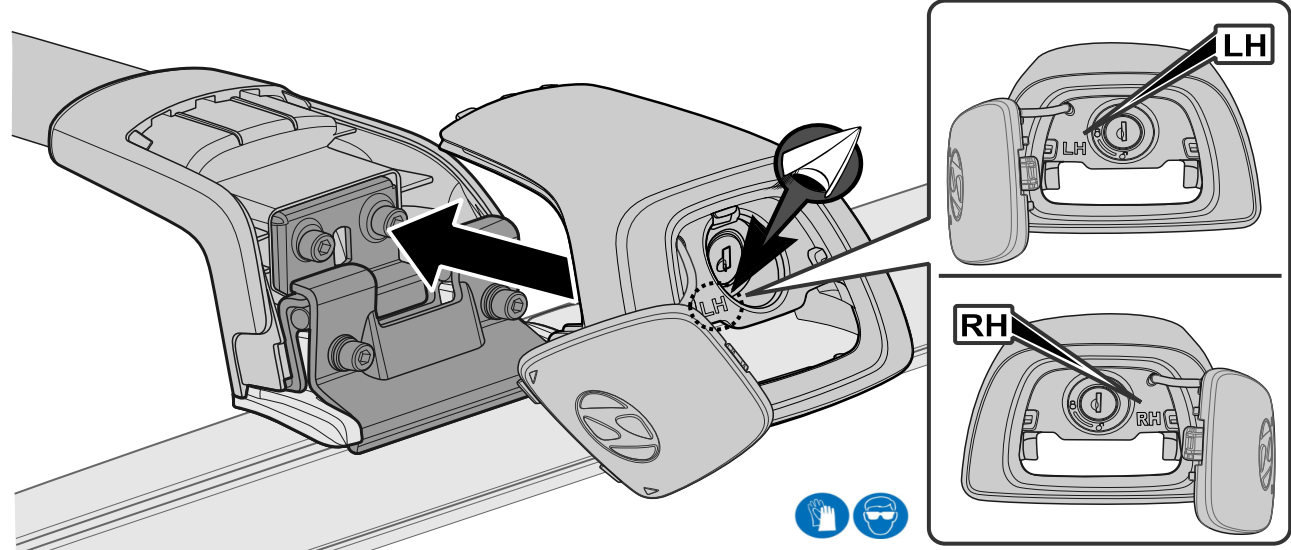
7  Step Ladder



A. Verify each Roof Crossbar by hand, that all the clamps are fully locked onto the vehicle's roof rails and tight.
NOTE: If the roof crossbars are loose, return to step 5 and check again.


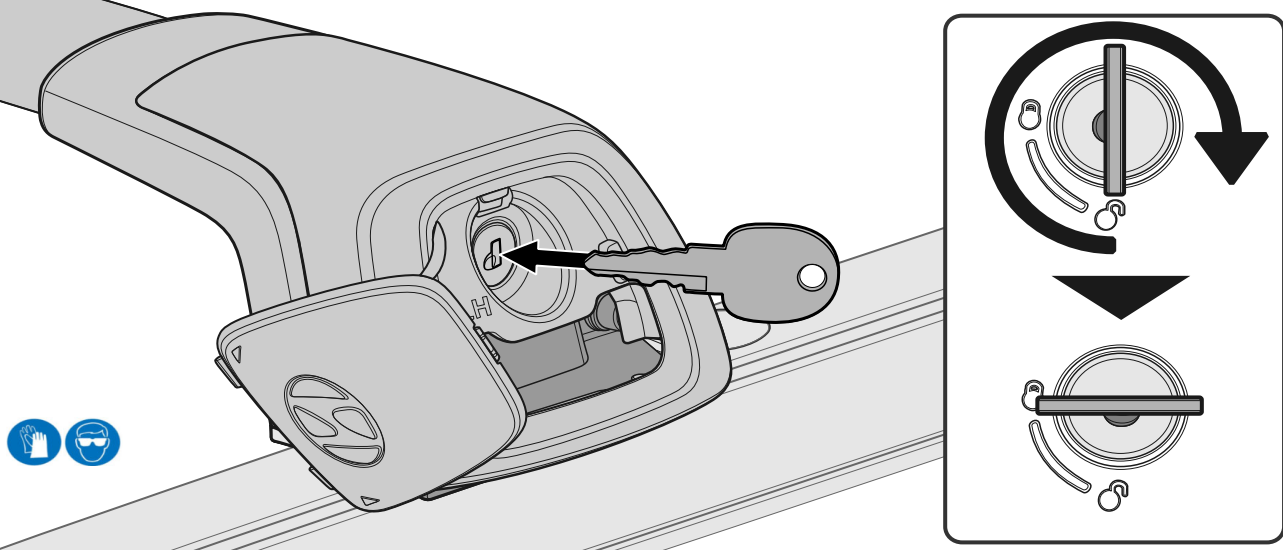

NOTE


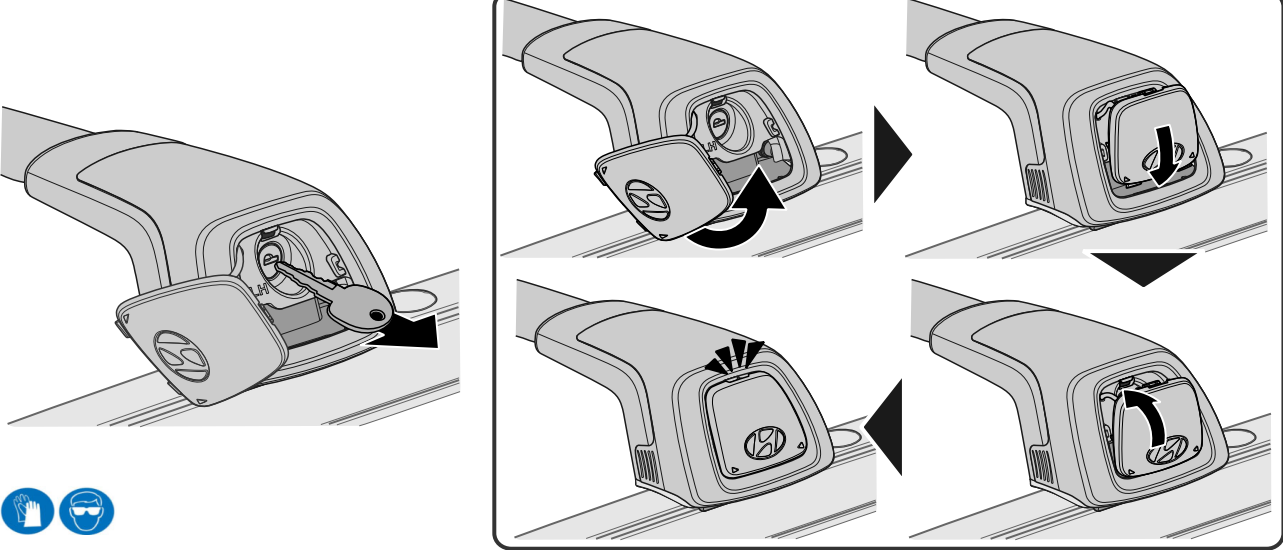

8  Step Ladder



A. Check which cover is LH or RH inside the roof crossbar cover and install accordingly.
 B. Assemble the Roof Crossbar covers as shown.
 C. Ensure all four (4) crossbar covers have seated in place.

NOTE

9	 Step Ladder
	
N O T E	<p>A. Insert the Key into the keyhole of the Roof Crossbar cover. B. Turn the key clockwise to lock it. C. Lock the remaining three (3) Roof Crossbar covers.</p>
	<p>Be careful not to lose your keys.</p>

10	 Step Ladder
	
N O T E	<p>A. Take the Key out. B. Guide of key cover into the hole of the crossbar cover. C. Position the lower area of the key cover into the crossbar cover first, then apply pressure to the upper area of the key cover until an audible "click" is heard. D. Repeat the procedure for the remaining three (3) key covers.</p>
	<p>Ensure all four (4) key covers have seated in place.</p>

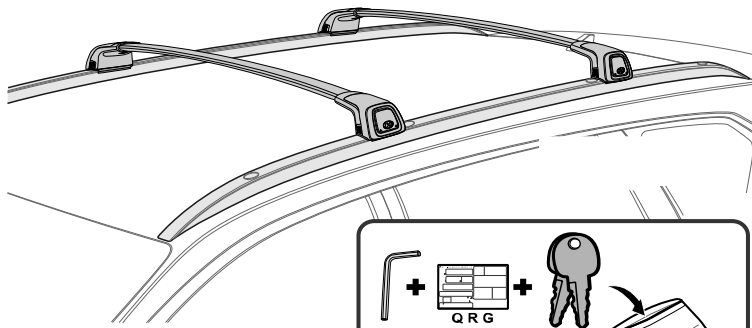
11



SPEED LIMIT 75 mph

MAX LOAD 165lbs

MAX LOAD 165lbs EVENLY DISTRIBUTED
MAX SPEED LIMIT 75mph WITH LOAD






Q R G



**N
O
T
E**

- A. Installation is complete.
- B. Place crossbar keys, 5mm hex key and quick reference guide (QRG) in glove box.
- * Do not exceed 165lbs weight on crossbars.
- * Do not drive vehicle over 75mph with load attached to crossbars.
- * Please check the height of the vehicle when you drive under tunnels or parking lots with low bridges with the roof crossbars installed.
- * Do not attempt to use 5mm hex key when the key cover is open, only use it when the crossbar cover is completely taken apart.

Function Check

Items To Be Checked	Results Of The Check
 Verify the clamps are fully seated onto side rails and tight.	Clamps are fully seated and tight.
 Ensure the crossbars are in a locked position and do not jiggle or rattle. Firmly grab crossbar and wiggle in forward / rearward and upward / downward motions. No movement should occur.	Crossbars are secure and clamps fully tightened.
 Ensure crossbar covers and key covers are fully seated and locked in position.	Crossbar covers and key covers are locked in place and not loose.

Visual Check

Items To Be Checked	Results Of The Check
 Verify front crossbar is in front of the #2 hole cap position and the rear crossbar is behind the #3 hole cap position.	Cross Bars are in correct position.
 Verify bag containing crossbar keys, 5mm hex key and quick reference guide (QRG) are in the glove compartment.	Bag is placed in glove compartment.

